

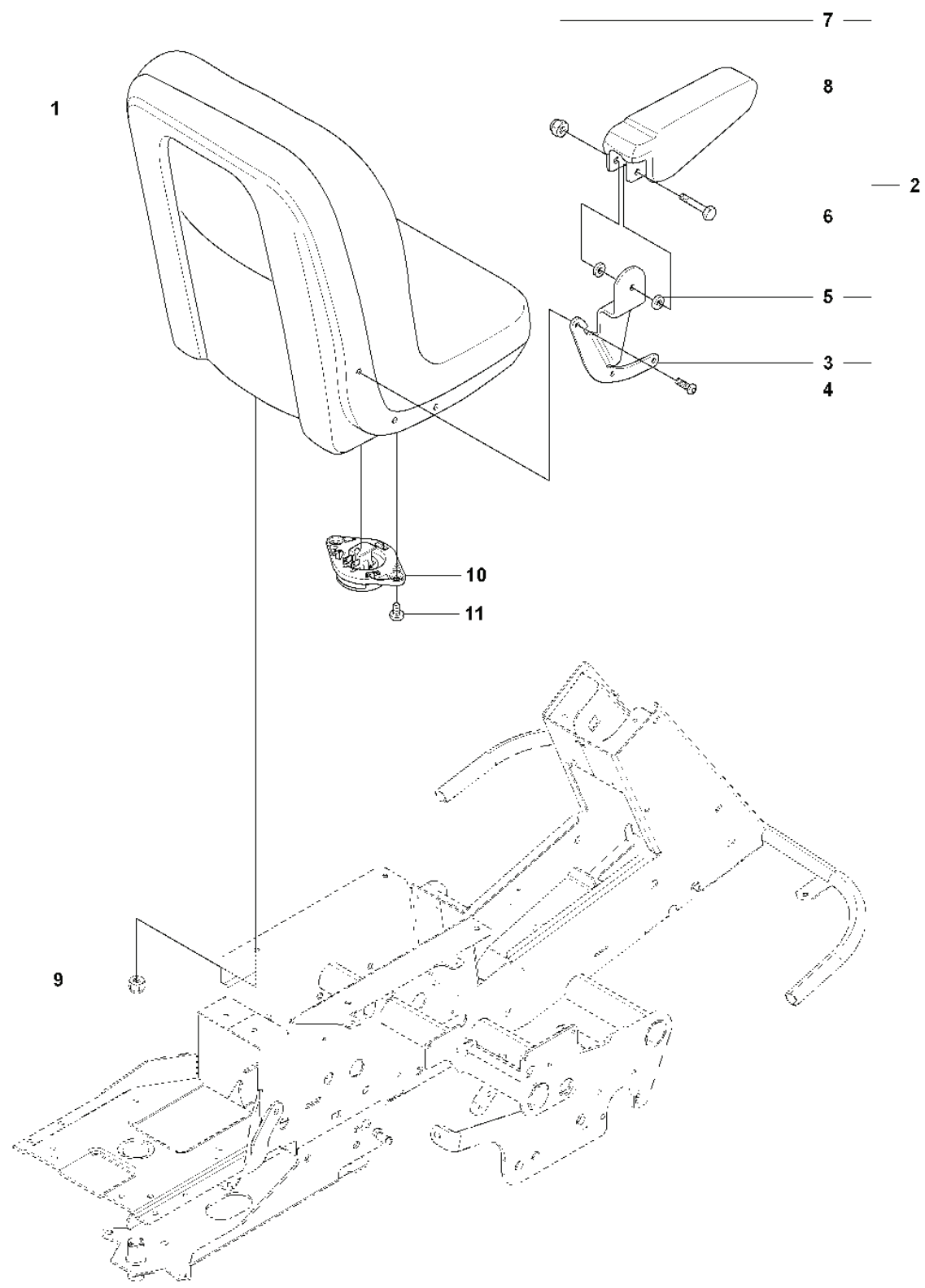
**RESERVDELSKATALOG**  
**: HUSQVARNA**

Reservdelslista

---

# RESERVDELSLISTA

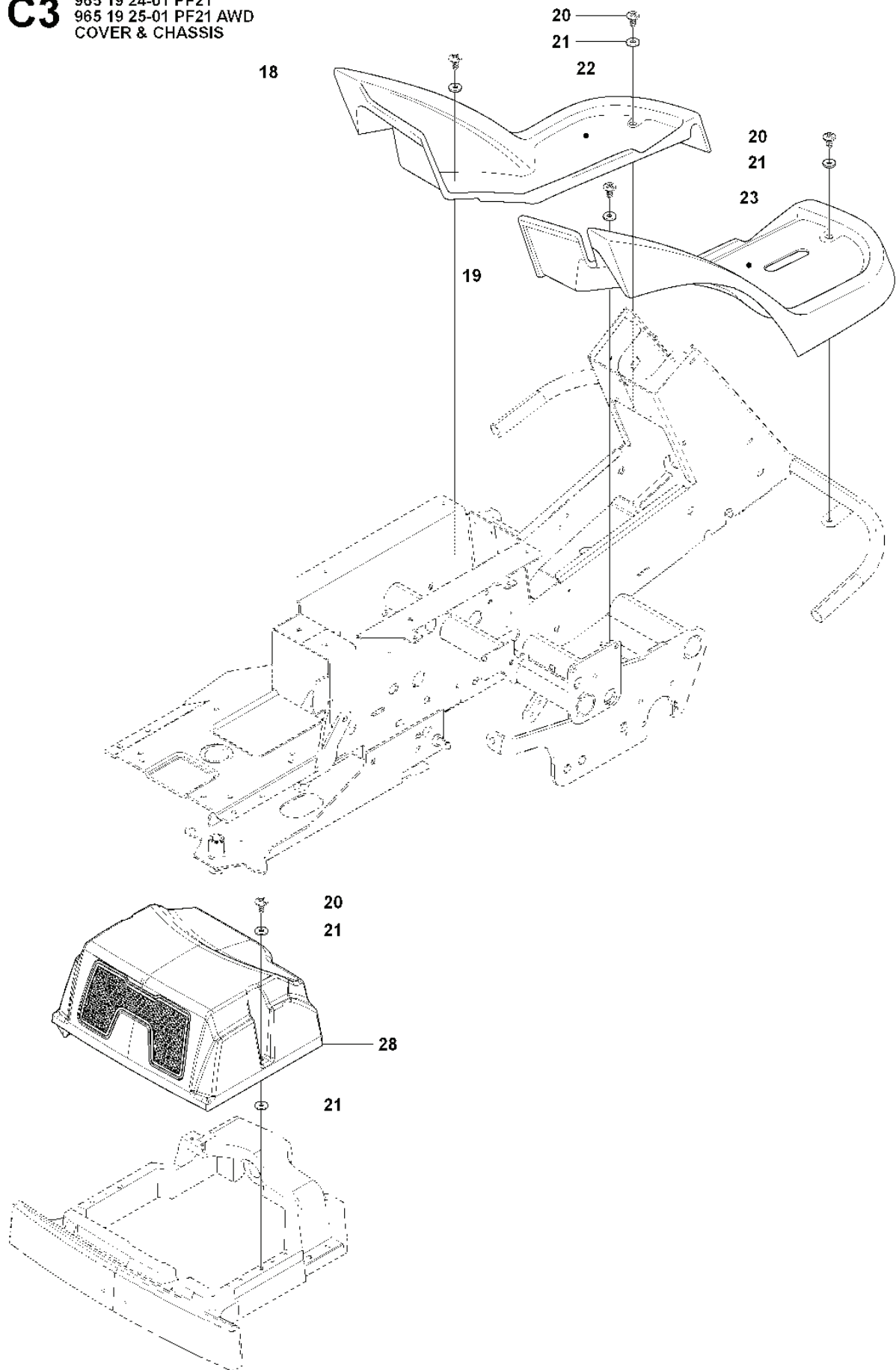
**A** 965 19 24-01 PF21  
965 19 25-01 PF21 AWD  
SEAT



---

| REF. | ART. NR   | ARTIKELBESKRIVNING | ANMÄRKNING | KIT |
|------|-----------|--------------------|------------|-----|
| 1    | 535458501 | SÅTE KPL           |            | 1   |
| 2    | 535458601 | ARMSTÖDSSATS       |            | 1   |
| 3    | 535414975 | FÅSTE              |            | 1   |
| 3    | 535414976 | FASTE              |            | 1   |
| 4    | 535414977 | SCREW              |            | 6   |
| 5    | 535414978 | DISTANSBRICKA      |            | 4   |
| 6    | 535414979 | SCREW              |            | 2   |
| 7    | 535414980 | MUTTER             |            | 2   |
| 8    | 535414981 | ARMSTÖD            |            | 2   |
| 9    | 732211801 | LOCK NUT           |            | 4   |
| 10   | 506565601 | SÅTESBRYTARE KPL   |            | 1   |
| 11   | 503218816 | SKRUV IHSCT        |            | 2   |

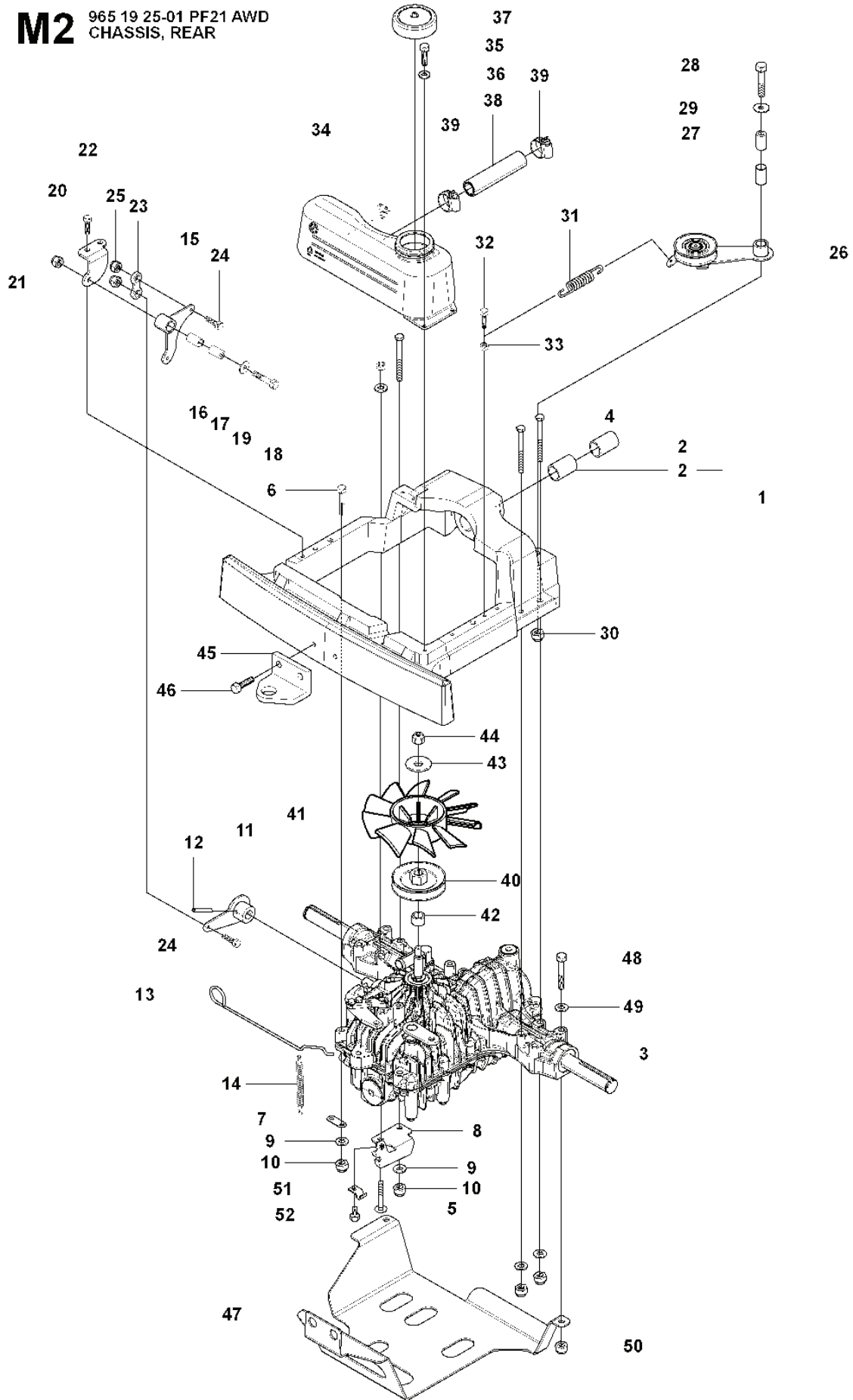
**C3** 965 19 24-01 PF21  
965 19 25-01 PF21 AWD  
COVER & CHASSIS



---

| REF. | ART. NR   | ARTIKELBESKRIVNING | ANMÄRKNING | KIT |
|------|-----------|--------------------|------------|-----|
| 18   | 535432103 | FLYGEL VÄNSTER     |            | 1   |
| 19   | 535474602 | FLYGEL HÖGER       |            | 1   |
| 20   | 506982601 | SCREW              |            | 8   |
| 21   | 506559701 | BRICKA             |            | 10  |
| 22   | 535474701 | PEDISTAL MAT       |            | 1   |
| 23   | 535474702 | PEDISTAL MAT       |            | 1   |
| 28   | 504206301 | KÅPA               |            | 1   |

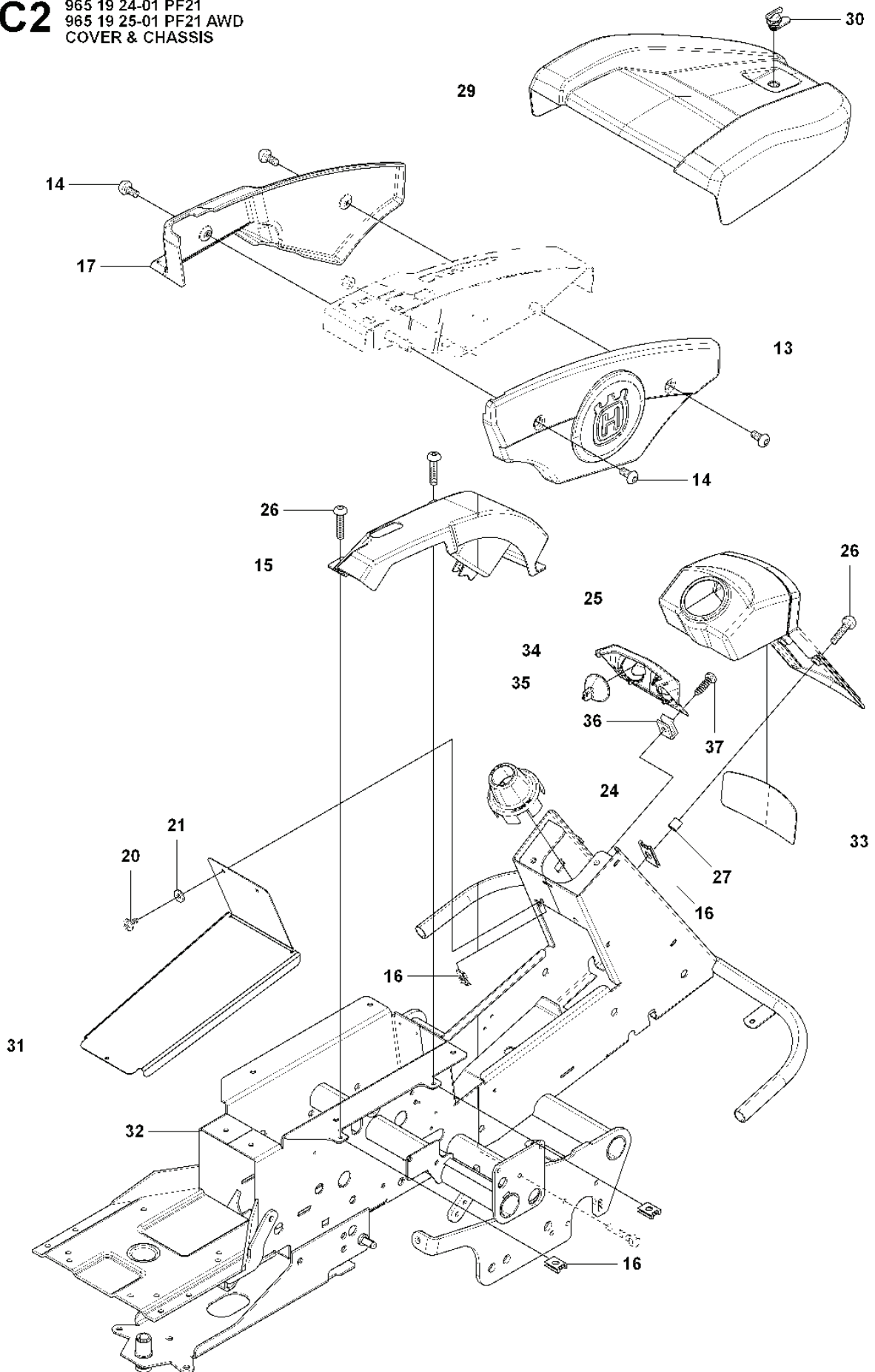
**M2** 965 19 25-01 PF21 AWD  
CHASSIS, REAR



| REF. | ART. NR   | ARTIKELBESKRIVNING | ANMÄRKNING | KIT |
|------|-----------|--------------------|------------|-----|
| 1    | 535406101 | FÄSTE              |            | 1   |
| 2    | 506986102 | GLIDLAGER          |            | 2   |
| 3    | 544386501 | TRANSMISSION       |            | 1   |
| 4    | 504628201 | SKRUV EHHM         |            | 3   |
| 5    | 535423808 | SKRUV RSQM         |            | 1   |
| 6    | 725246651 | SCREW              |            | 1   |
| 7    | 506599301 | LÄNK               |            | 1   |
| 8    | 544388101 | FÄSTE              |            | 1   |
| 9    | 734116401 | BRICKA             |            | 5   |
| 10   | 732211801 | LOCK NUT           |            | 5   |
| 11   | 544387301 | REGLERARM          |            | 1   |
| 12   | 721434701 | SPÄNNSTIFT         |            | 1   |
| 13   | 505490101 | ARM                |            | 1   |
| 14   | 506834301 | FJÄDER             |            | 1   |
| 15   | 544388201 | HÄVARM             |            | 1   |
| 16   | 506986103 | BUSHING            |            | 1   |
| 17   | 506992001 | RÖR                |            | 1   |
| 18   | 725246051 | SKRUV EHHM         |            | 1   |
| 19   | 734116441 | BRICKA             |            | 1   |
| 20   | 732211801 | LOCK NUT           |            | 1   |
| 21   | 544388501 | FÄSTE              |            | 1   |
| 22   | 725244971 | SKRUV EHHM         |            | 2   |
| 23   | 544888401 | LINK RODS          |            | 1   |
| 24   | 535475316 | SKRUV EHHFM        |            | 2   |
| 25   | 732211401 | LOCK NUT           |            | 2   |
| 26   | 506993001 | REMSPÄNNARE KPL    |            | 1   |
| 27   | 506992001 | RÖR                |            | 1   |
| 28   | 725246251 | SKRUV EHHM         |            | 1   |
| 29   | 734116441 | BRICKA             |            | 1   |
| 30   | 732211801 | LOCK NUT           |            | 1   |
| 31   | 506542501 | FJÄDER             |            | 1   |
| 32   | 725237271 | SKRUV EHHM         |            | 1   |
| 33   | 731231601 | MUTTER (HEXAGON)   |            | 1   |
| 34   | 544388601 | EXPANSIONSTANK     |            | 1   |
| 35   | 725236871 | SKRUV EHHM         |            | 2   |
| 36   | 734115441 | BRICKA             |            | 2   |
| 37   | 506673301 | TANKLOCK KPL       |            | 1   |
| 38   | 535458302 | SLANG              |            | 1   |
| 39   | 505443601 | SLANGKLÄMMA        |            | 2   |
| 40   | 506991401 | REMSKIVA           |            | 1   |
| 41   | 506948101 | FLÄKT              |            | 1   |
| 42   | 502433801 | HYLSA              |            | 1   |
| 43   | 734117441 | BRICKA             |            | 1   |
| 44   | 732212001 | LOCK NUT           |            | 1   |
| 45   | 506889901 | HAKE               |            | 1   |
| 46   | 725249371 | SKRUV EHHM         |            | 2   |
| 47   | 504555101 | HASPLÅT            |            | 1   |
| 48   | 725246451 | SKRUV EHHM         |            | 2   |
| 49   | 734116401 | BRICKA             |            | 2   |
| 50   | 732211801 | LOCK NUT           |            | 2   |
| 51   | 506566501 | KLÄMMA             |            | 1   |
| 52   | 725236671 | SKRUV EHHM         |            | 1   |



**C2** 965 19 24-01 PF21  
965 19 25-01 PF21 AWD  
COVER & CHASSIS

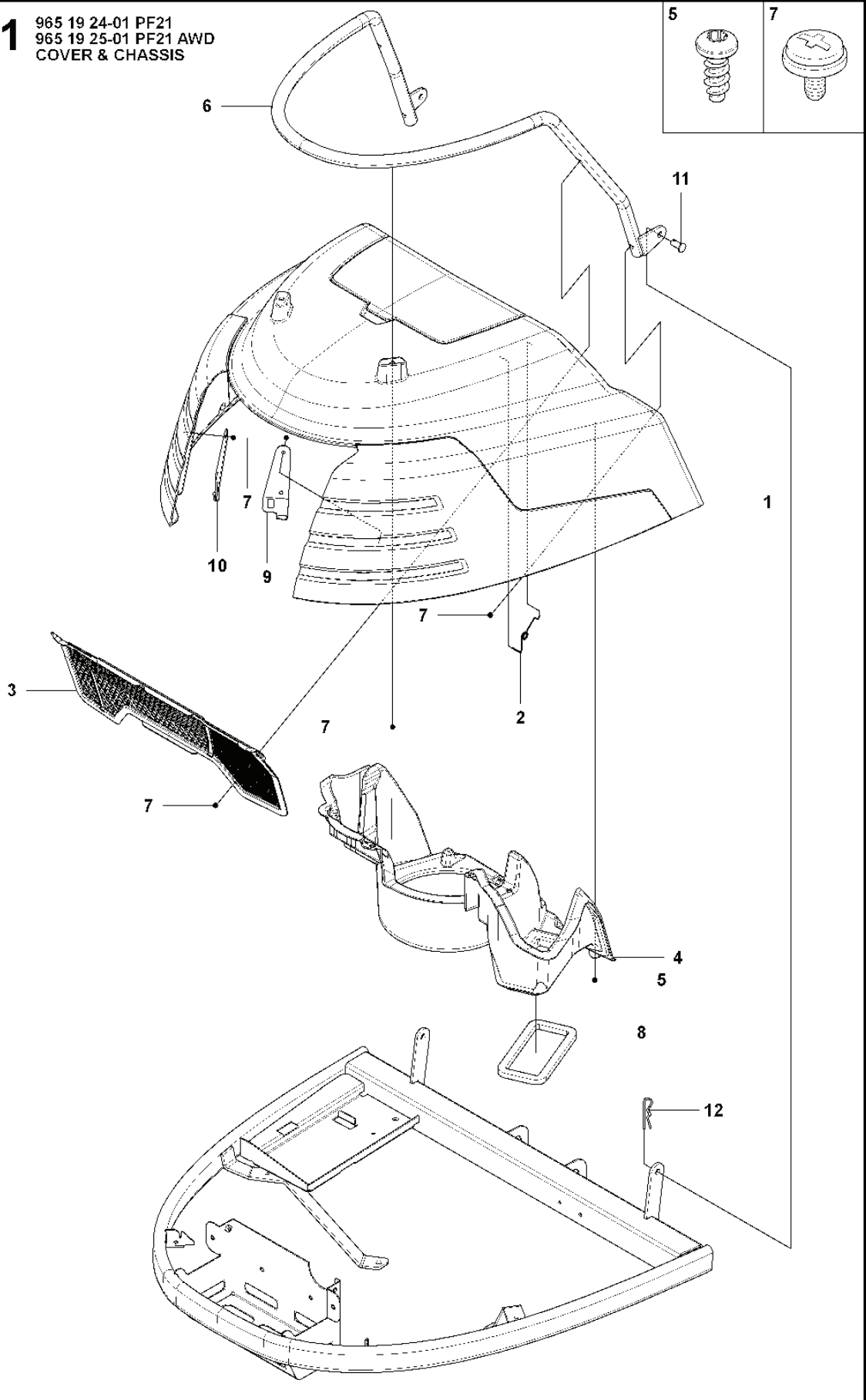


---

| REF. | ART. NR   | ARTIKELBESKRIVNING | ANMÄRKNING | KIT |
|------|-----------|--------------------|------------|-----|
| 13   | 502637501 | REGLAGEKÅPA        |            | 1   |
| 14   | 535425801 | SKRUV IHANM        |            | 4   |
| 15   | 502637701 | REGLAGEKÅPA        |            | 1   |
| 16   | 535429101 | SPRING NUT         |            | 6   |
| 17   | 535476501 | CONTROL CAP INNER  |            | 1   |
| 20   | 506982601 | SCREW              |            | 8   |
| 21   | 506559701 | BRICKA             |            | 10  |
| 24   | 535460501 | TÄTNING            |            | 1   |
| 25   | 535459701 | KÅPA               |            | 1   |
| 26   | 535425802 | SKRUV IHANM        |            | 4   |
| 27   | 535462901 | DISTANSBRICKA      |            | 2   |
| 29   | 502286901 | AGGREGATKÅPA       |            | 1   |
| 30   | 535402603 | LÅS                |            | 1   |
| 31   | 535421501 | LOCK GOLVTUNNEL    |            | 1   |
| 32   | 502298302 | CHASSI             |            | 1   |
| 33   | 535447101 | LAMP CHIMNEY       |            | 1   |
| 34   | 535446701 | HUS                |            | 1   |
| 35   | 535446801 | LAMPA              |            | 2   |
| 36   | 535415619 | SCREW              |            | 2   |
| 37   | 506892001 | SPEED NUT          |            | 2   |

# C1

965 19 24-01 PF21  
965 19 25-01 PF21 AWD  
COVER & CHASSIS



---

| REF. | ART. NR   | ARTIKELBESKRIVNING | ANMÄRKNING | KIT |
|------|-----------|--------------------|------------|-----|
| 1    | 502625501 | MOTORKÅPA KPL      |            | 1   |
| 2    | 504124101 | FJÄDER             |            | 2   |
| 3    | 502482201 | GRID               |            | 1   |
| 4    | 504101902 | LUFTLEDARE         |            | 1   |
| 5    | 504610901 | SKRUV ITXPANT      |            | 5   |
| 6    | 502494601 | LASTBÄRARE         |            | 1   |
| 7    | 544400501 | SCREW              |            | 10  |
| 8    | 504629501 | TÄTNING            |            | 1   |
| 9    | 504613901 | STYRPLÅT           |            | 1   |
| 10   | 504613902 | STYRPLÅT           |            | 1   |
| 11   | 721845401 | CLEVIS PIN         |            | 2   |
| 12   | 506668801 | SPRING COTTER      |            | 2   |

**S** 965 19 24-01 PF21  
965 19 25-01 PF21 AWD  
LABEL, ASSY

3



1



4



7



10



12



14



17



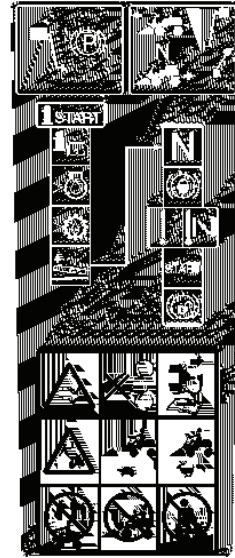
2



5



8



15



18



6



9



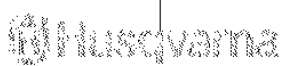
11



13



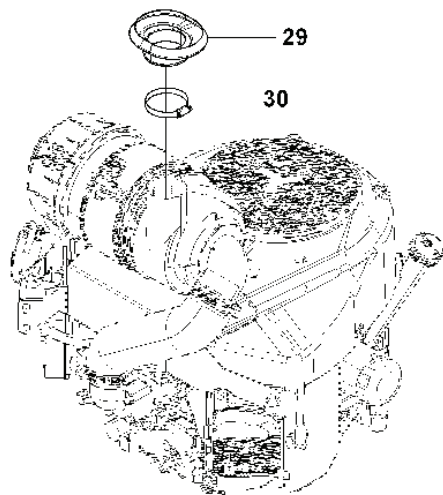
16



---

| REF. | ART. NR   | ARTIKELBESKRIVNING | ANMÄRKNING | KIT |
|------|-----------|--------------------|------------|-----|
| 1    | 535462801 | CONTROL LABEL      |            | 1   |
| 2    | 506893301 | DEKAL              |            | 1   |
| 3    | 506893401 | DEKAL              |            | 1   |
| 4    | 506893501 | DEKAL              |            | 1   |
| 5    | 544211401 | DEKAL              |            | 2   |
| 6    | 544833501 | DEKAL              |            | 2   |
| 7    | 506968301 | DEKAL              |            | 1   |
| 8    | 506944801 | DEKAL              |            | 1   |
| 9    | 535413101 | DEKAL              |            | 1   |
| 10   | 535432002 | DEKAL              |            | 1   |
| 11   | 506584501 | DEKAL              |            | 1   |
| 12   | 505514502 | DEKAL              |            | 1   |
| 13   | 505514402 | DEKAL              |            | 1   |
| 14   | 505516601 | DEKAL              |            | 1   |
| 15   | 505516701 | DEKAL              |            | 2   |
| 16   | 544391102 | DEKAL              |            | 1   |
| 17   | 544391101 | DEKAL              |            | 2   |
| 18   | 535458702 | DEKAL              |            | 1   |

**H** 965 19 24-01 PF21  
965 19 25-01 PF21 AWD  
ENGINE UNIT

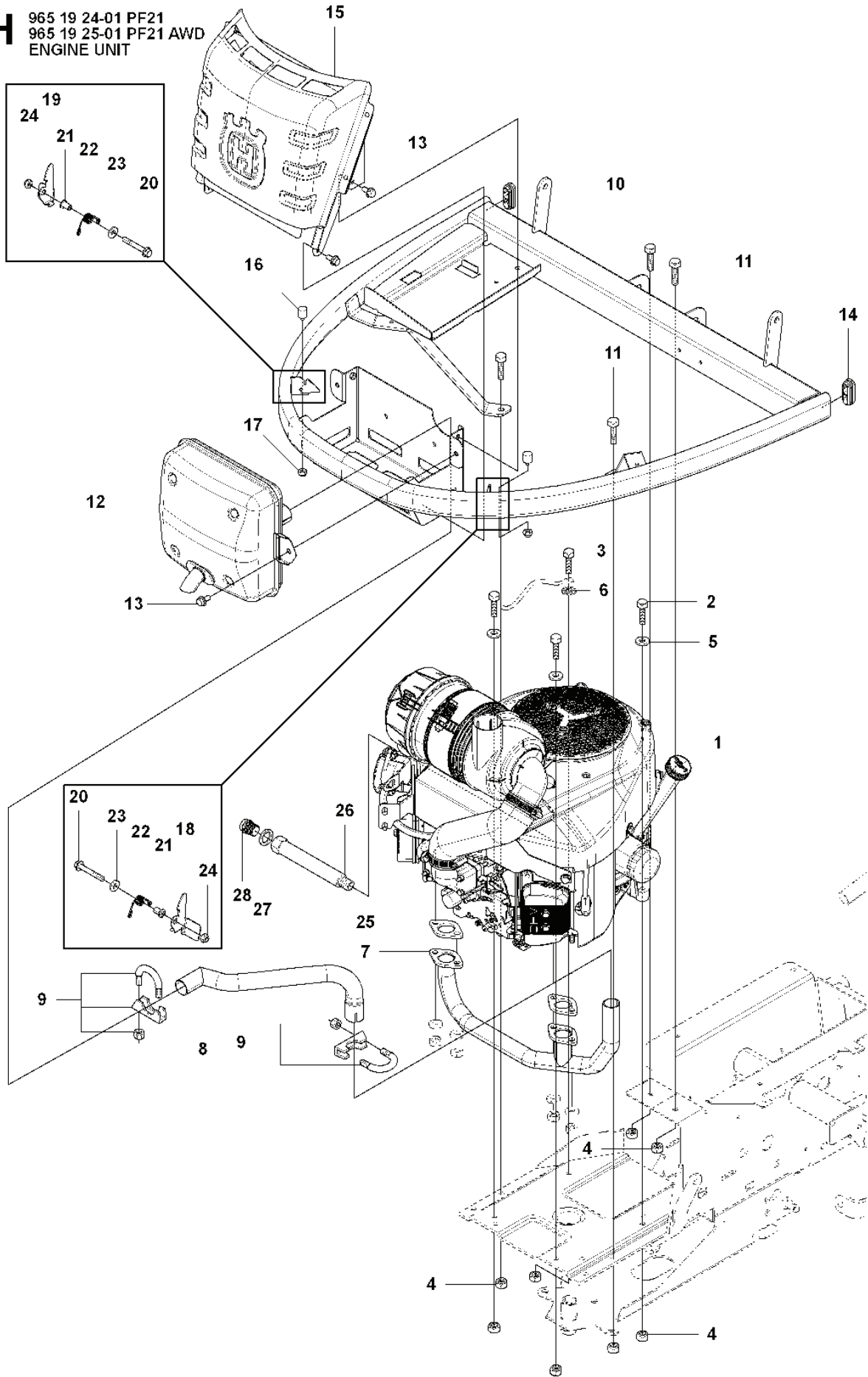


---

| REF. | ART. NR   | ARTIKELBESKRIVNING | ANMÄRKNING | KIT |
|------|-----------|--------------------|------------|-----|
| 29   | 504546901 | BÄLG               |            | 1   |
| 30   | 544202703 | SLANGKLÄMMA        |            | 1   |

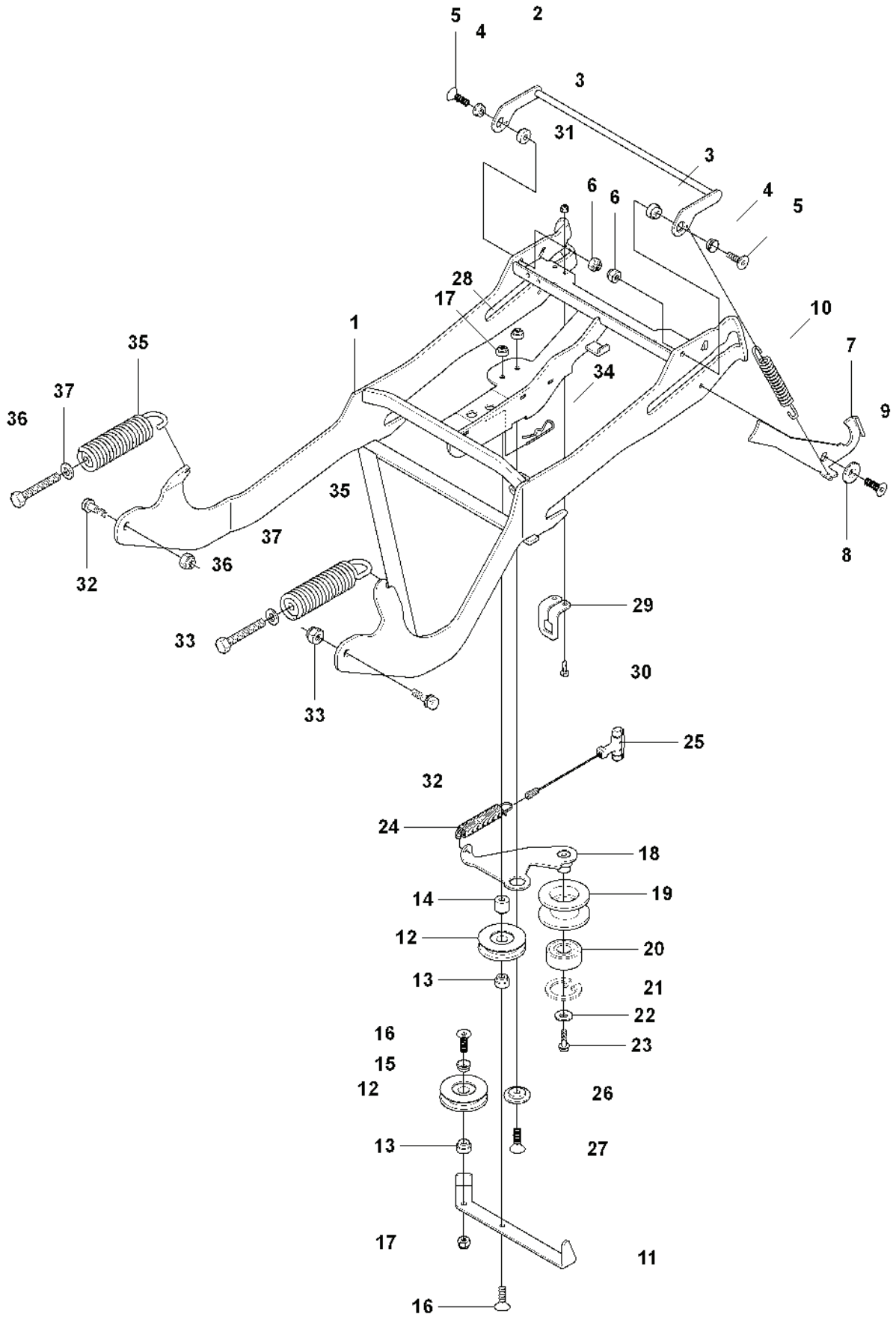


**H** 965 19 24-01 PF21  
965 19 25-01 PF21 AWD  
ENGINE UNIT



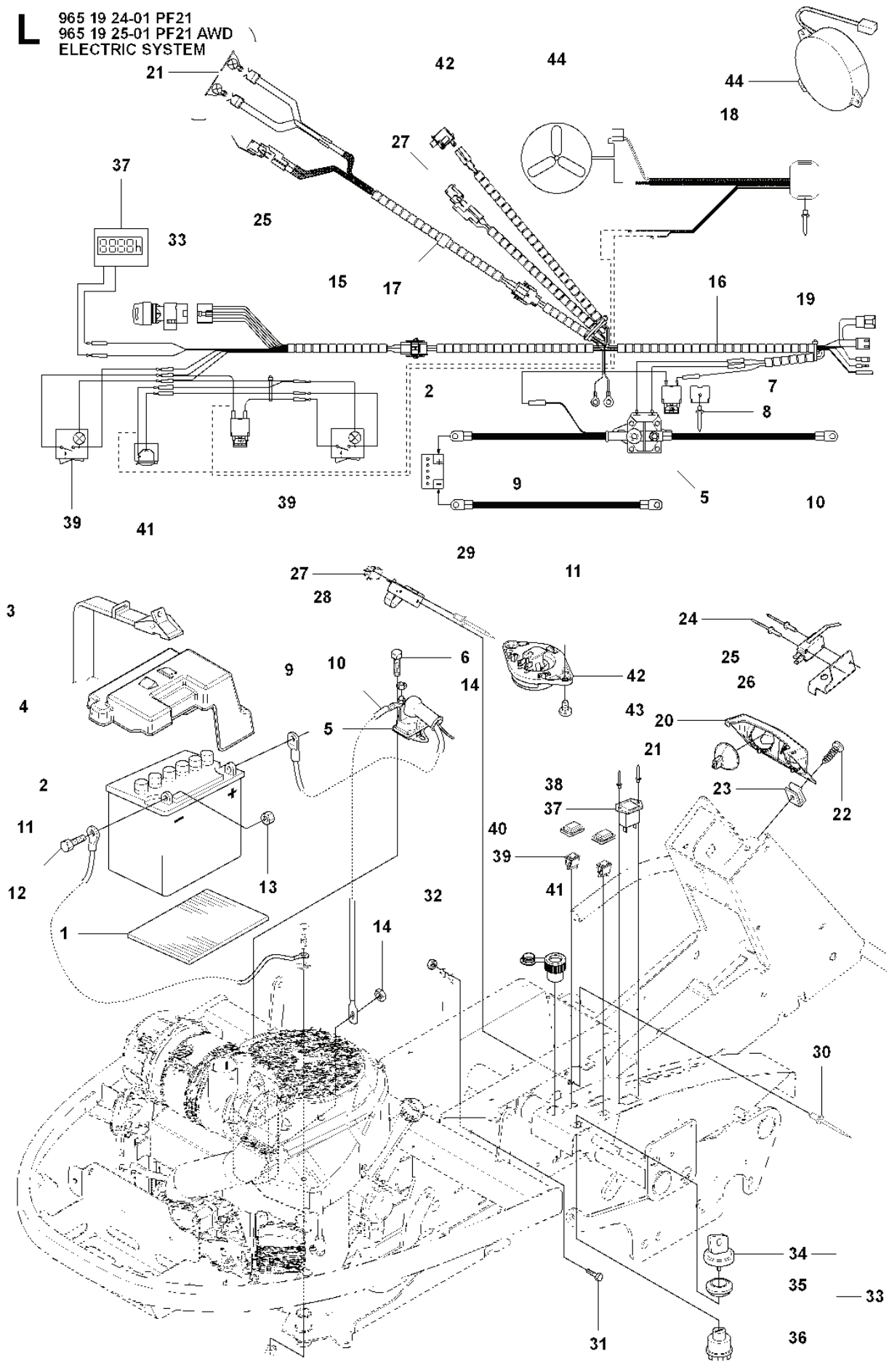
| REF. | ART. NR   | ARTIKELBESKRIVNING | ANMÄRKNING | KIT |
|------|-----------|--------------------|------------|-----|
| 1    | 502636601 | MOTOR              |            | 1   |
| 2    | 725245751 | SCREW              |            | 3   |
| 3    | 725245951 | SKRUV EHHM         |            | 1   |
| 4    | 732211801 | LOCK NUT           |            | 8   |
| 5    | 734116401 | BRICKA             |            | 3   |
| 6    | 735216400 | LÅSBRICKA          |            | 1   |
| 7    | 502636801 | AVGASRÖR           |            | 1   |
| 8    | 502637001 | AVGASFÖRLÅNGARE    |            | 1   |
| 9    | 506668401 | CLAMP ASSY         |            | 2   |
| 10   | 502530401 | MOTORBÅGE          |            | 1   |
| 11   | 725245171 | SKRUV EHHM         |            | 4   |
| 12   | 544392701 | LJUDDÄMPARE KPL    |            | 1   |
| 13   | 535475212 | SKRUV EHHFM        |            | 6   |
| 14   | 504643601 | PLUGG              |            | 2   |
| 15   | 505395501 | VÄRMESKYDD         |            | 1   |
| 16   | 504638801 | DAMPER             |            | 2   |
| 17   | 732211401 | LOCK NUT           |            | 2   |
| 18   | 504613401 | SPÄRRHAKE          |            | 1   |
| 19   | 504613402 | SPÄRRHAKE          |            | 1   |
| 20   | 725237451 | SKRUV EHHM         |            | 2   |
| 21   | 504638401 | BUSHING            |            | 2   |
| 22   | 504639001 | FJÄDER             |            | 2   |
| 23   | 734115441 | BRICKA             |            | 2   |
| 24   | 732211601 | LOCK NUT           |            | 2   |
| 25   | 535414236 | PACKNING           |            | 2   |
| 26   | 535414416 | LED                |            | 1   |
| 27   | 531001190 | O-RING             |            | 1   |
| 28   | 535414460 | PLUGG              |            | 1   |

**R** 965 19 24-01 PF21  
965 19 25-01 PF21 AWD  
EQUIPMENT FRAME ASSY



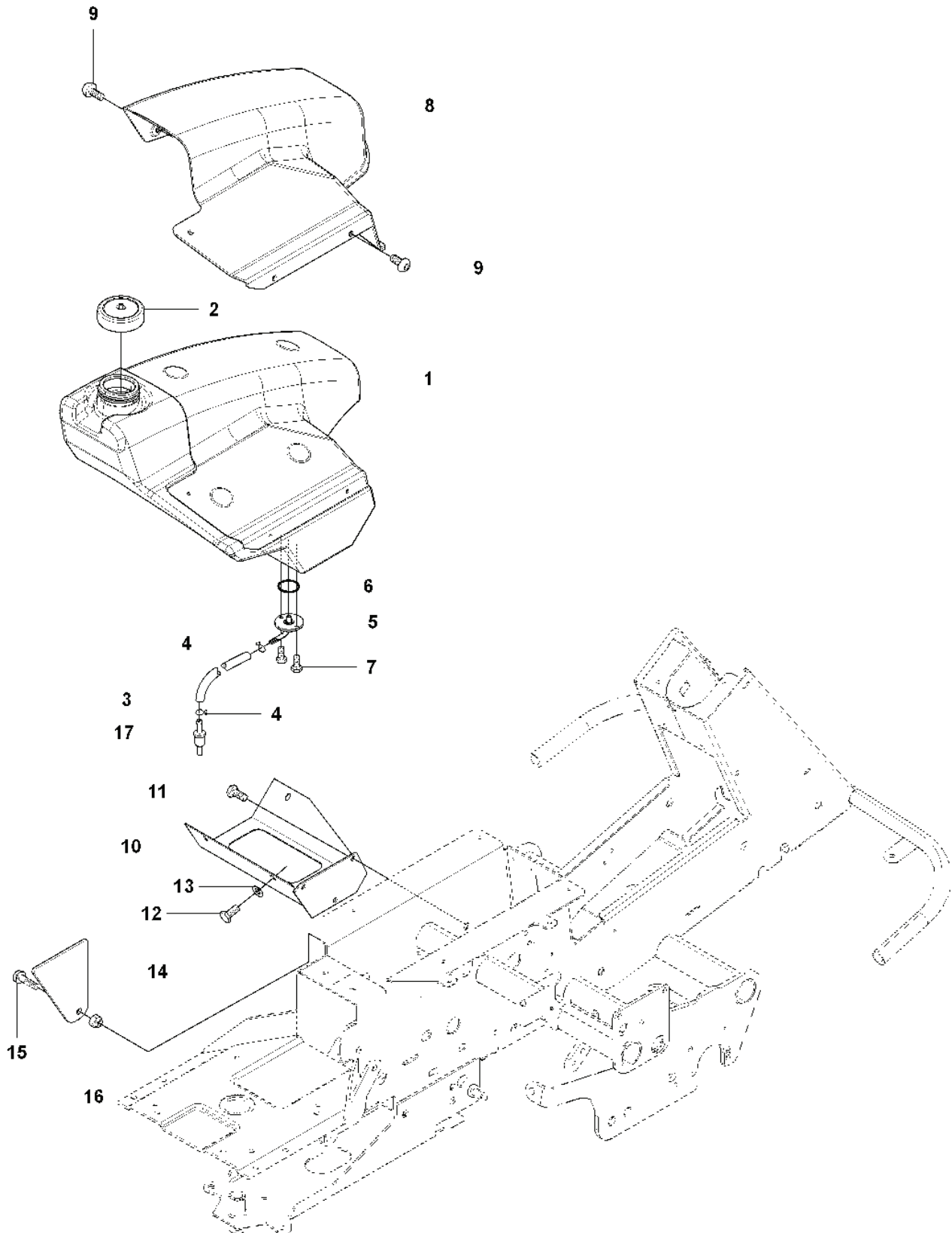
| REF. | ART. NR   | ARTIKELBESKRIVNING | ANMÄRKNING | KIT |
|------|-----------|--------------------|------------|-----|
| 1    | 502637901 | REDSKAPSRAM        |            | 1   |
| 2    | 504557801 | KROK               |            | 1   |
| 3    | 544003401 | BUSHING            |            | 2   |
| 4    | 506993302 | HYLSA              |            | 2   |
| 5    | 725645901 | SKRUV IHCSFM       |            | 2   |
| 6    | 732211801 | LOCK NUT           |            | 2   |
| 7    | 504558001 | HÄVARM             |            | 1   |
| 8    | 506918701 | BRICKA             |            | 1   |
| 9    | 725644901 | SKRUV IHCSFM       |            | 1   |
| 10   | 506535603 | DRAGFJÄDER         |            | 1   |
| 11   | 504812801 | REMSTYRARE         |            | 1   |
| 12   | 544004601 | PULLEY ASSY        |            | 2   |
| 13   | 544003401 | BUSHING            |            | 2   |
| 14   | 544003402 | BUSHING            |            | 1   |
| 15   | 506993302 | HYLSA              |            | 1   |
| 16   | 725246251 | SKRUV EHHM         |            | 2   |
| 17   | 732211801 | LOCK NUT           |            | 2   |
| 18   | 504621901 | REMSPÄNNARE        |            | 1   |
| 19   | 506928901 | REMSKIVA           |            | 1   |
| 20   | 738210404 | KULLAGER           |            | 1   |
| 21   | 735313810 | SPÄRRING           |            | 1   |
| 22   | 734116441 | BRICKA             |            | 1   |
| 23   | 506558302 | SKRUV EHHFT        |            | 1   |
| 24   | 504622401 | FJÄDER             |            | 1   |
| 25   | 504622101 | HANDTAG KPL        |            | 1   |
| 26   | 505451701 | BRICKA             |            | 1   |
| 27   | 725645301 | SKRUV IHCSFM       |            | 1   |
| 28   | 732211801 | LOCK NUT           |            | 1   |
| 29   | 504621701 | STYRNING           |            | 1   |
| 30   | 725236871 | SKRUV EHHM         |            | 2   |
| 31   | 732211601 | LOCK NUT           |            | 2   |
| 32   | 506895801 | COLLAR SCREW       |            | 2   |
| 33   | 732252201 | HEXAGON LÅSMUTTER  |            | 2   |
| 34   | 506966601 | HAIR PIN COTTER    |            | 1   |
| 35   | 505420901 | FJÄDER             |            | 2   |
| 36   | 725251571 | SKRUV EHHM         |            | 2   |
| 37   | 734117201 | BRICKA             |            | 2   |

**L** 965 19 24-01 PF21  
 965 19 25-01 PF21 AWD  
 ELECTRIC SYSTEM



| REF. | ART. NR   | ARTIKELBESKRIVNING | ANMÄRKNING | KIT |
|------|-----------|--------------------|------------|-----|
| 1    | 535441101 | BATTERY MAT        |            | 1   |
| 2    | 506788801 | BATTERI            |            | 1   |
| 3    | 506836802 | REM                |            | 1   |
| 4    | 504639201 | KÅPA               |            | 1   |
| 5    | 544439801 | RELÄ               |            | 1   |
| 6    | 725236461 | SKRUV EHHFT        |            | 1   |
| 7    | 501007501 | KLÄMMA             |            | 1   |
| 8    | 722782209 | BLIND RIVET        |            | 1   |
| 9    | 544926101 | KABEL              |            | 1   |
| 10   | 544928601 | KABEL              |            | 1   |
| 11   | 544967602 | KABEL              |            | 1   |
| 12   | 725237071 | SKRUV EHHM         |            | 2   |
| 13   | 731231601 | MUTTER (HEXAGON)   |            | 2   |
| 14   | 506899801 | MUTTER             |            | 3   |
| 15   | 501002501 | KABLAGE            |            | 1   |
| 16   | 501002401 | KABLAGE            |            | 1   |
| 17   | 544849801 | KABLAGE            |            | 1   |
| 18   | 504639401 | TERMOSTAT KPL      |            | 1   |
| 19   | 722782902 | BLIND RIVET        |            | 2   |
| 20   | 535446701 | HUS                |            | 1   |
| 21   | 535446801 | LAMPA              |            | 2   |
| 22   | 535415619 | SCREW              |            | 2   |
| 23   | 506892001 | SPEED NUT          |            | 2   |
| 24   | 544440701 | NIT                |            | 2   |
| 25   | 544415501 | BRYTARE            |            | 1   |
| 26   | 544415701 | FÄSTE              |            | 1   |
| 27   | 535469101 | BRYTARE            |            | 1   |
| 28   | 535457001 | BLADFJÄDER         |            | 1   |
| 29   | 544440701 | NIT                |            | 2   |
| 30   | 722783902 | BLIND RIVET        |            | 2   |
| 31   | 725232551 | SCREW              |            | 1   |
| 32   | 731231401 | MUTTER (HEXAGON)   |            | 1   |
| 33   | 535474901 | NYCKELBRYTARE      |            | 1   |
| 34   | 535475001 | BRICKA             |            | 1   |
| 35   | 535476001 | TÄNDNINGSNYCKEL    |            | 1   |
| 36   | 504851701 | NYCKELBRYTARE      |            | 1   |
| 37   | 535409201 | TIMMÄTARE          |            | 1   |
| 38   | 722782502 | NIT                |            | 2   |
| 39   | 535462301 | BRYTARE            |            | 2   |
| 40   | 535462401 | SHIELDING MEDIUM   |            | 2   |
| 41   | 535474801 | POWER SOCKET       |            | 1   |
| 42   | 506565601 | SÄTESBRYTARE KPL   |            | 1   |
| 43   | 503218816 | SKRUV IHSCT        |            | 2   |
| 44   | 504629301 | FLÄKT              |            | 1   |

**B** 965 19 24-01 PF21  
965 19 25-01 PF21 AWD  
FUEL SYSTEM

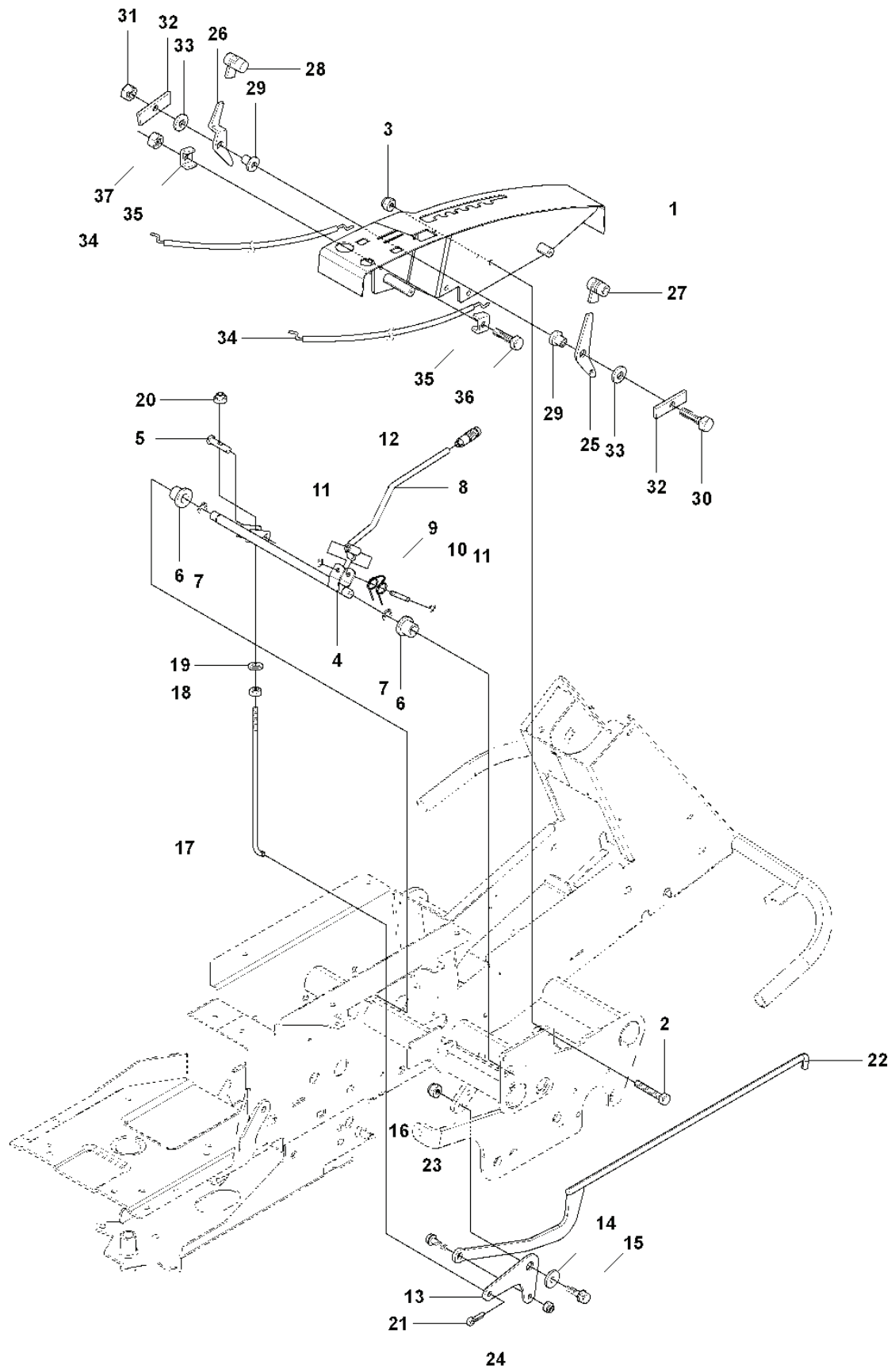


---

| REF. | ART. NR   | ARTIKELBESKRIVNING    | ANMÄRKNING | KIT |
|------|-----------|-----------------------|------------|-----|
| 1    | 535425201 | BRÄNSLETANK           |            | 1   |
| 2    | 506673301 | TANKLOCK KPL          |            | 1   |
| 3    | 506946705 | BRÄNSLESLANG          |            | 1   |
| 4    | 535469701 | HOSE BRACE            |            | 2   |
| 5    | 506891801 | ANSLUTNING            |            | 1   |
| 6    | 740481202 | O-RING                |            | 1   |
| 7    | 535415619 | SCREW                 |            | 2   |
| 8    | 535432701 | DESIGN COVER TANK     |            | 1   |
| 9    | 535425801 | SKRUV IHANM           |            | 5   |
| 10   | 535438601 | FÄSTE                 |            | 1   |
| 11   | 725245171 | SKRUV EHHM            |            | 3   |
| 12   | 725236651 | HEXAGONAL SCREW M6X12 |            | 3   |
| 13   | 734115601 | BRICKA                |            | 3   |
| 14   | 535438801 | TANK SUPPORT          |            | 1   |
| 15   | 725249571 | SKRUV EHHM            |            | 1   |
| 16   | 732212001 | LOCK NUT              |            | 1   |
| 17   | 506791001 | BRÄNSLEFILTER         |            | 1   |

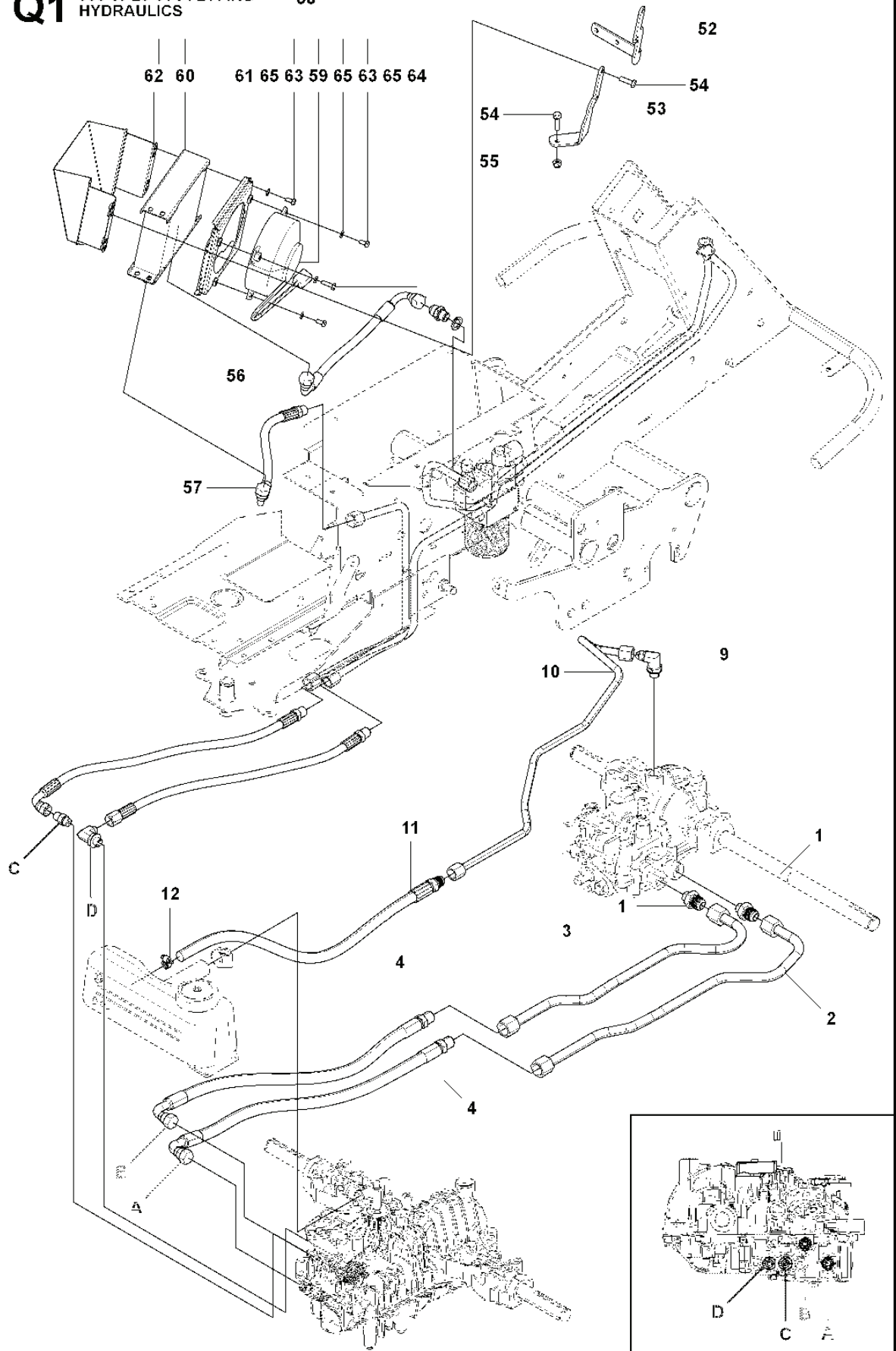


**E** 965 19 24-01 PF21  
965 19 25-01 PF21 AWD  
HEIGHT ADJUSTER  
CONTROL UNIT



| REF. | ART. NR   | ARTIKELBESKRIVNING | ANMÄRKNING | KIT |
|------|-----------|--------------------|------------|-----|
| 1    | 535475401 | REGLAGEPLÅT        |            | 1   |
| 2    | 725245171 | SKRUV EHHM         |            | 3   |
| 3    | 732211801 | LOCK NUT           |            | 3   |
| 4    | 506784502 | REGLERARM          |            | 1   |
| 5    | 506784601 | PENNOR             |            | 1   |
| 6    | 506554301 | LAGER              |            | 2   |
| 7    | 735312220 | SPÄRRYTARE         |            | 2   |
| 8    | 506784701 | REGLERSPAK KPL.    |            | 1   |
| 9    | 506531401 | FJÄDER             |            | 1   |
| 10   | 506531501 | AXEL               |            | 1   |
| 11   | 735310920 | SPÄRRYTARE         |            | 2   |
| 12   | 506542001 | HANDTAG            |            | 1   |
| 13   | 502636301 | LÄNK               |            | 1   |
| 14   | 506918702 | BRICKA             |            | 1   |
| 15   | 725245371 | SKRUV EHHM         |            | 1   |
| 16   | 732211601 | LOCK NUT           |            | 1   |
| 17   | 506854501 | HEIGHT ROD         |            | 1   |
| 18   | 731231801 | MUTTER (HEXAGON)   |            | 1   |
| 19   | 734117201 | BRICKA             |            | 1   |
| 20   | 732211801 | LOCK NUT           |            | 1   |
| 21   | 721618301 | SPLIT PIN          |            | 1   |
| 22   | 502636402 | KOPPLING           |            | 1   |
| 23   | 506597401 | SKRUV EHHFM        |            | 1   |
| 24   | 731231801 | MUTTER (HEXAGON)   |            | 1   |
| 25   | 506865903 | REGLAGE            |            | 1   |
| 26   | 506865904 | REGLAGE            |            | 1   |
| 27   | 506889101 | KNOPP              |            | 1   |
| 28   | 506889102 | KNOPP              |            | 1   |
| 29   | 506888901 | BUSHING            |            | 2   |
| 30   | 725237471 | SKRUV EHHM         |            | 1   |
| 31   | 732211601 | LOCK NUT           |            | 1   |
| 32   | 506928502 | LÅSBRICKA          |            | 2   |
| 33   | 506839401 | FJÄDERBRICKA       |            | 2   |
| 34   | 506863907 | GASWIRE KPL.       |            | 2   |
| 35   | 506508201 | KLÄMMA             |            | 2   |
| 36   | 725233551 | SKRUV EHHM         |            | 1   |
| 37   | 732211401 | LOCK NUT           |            | 1   |

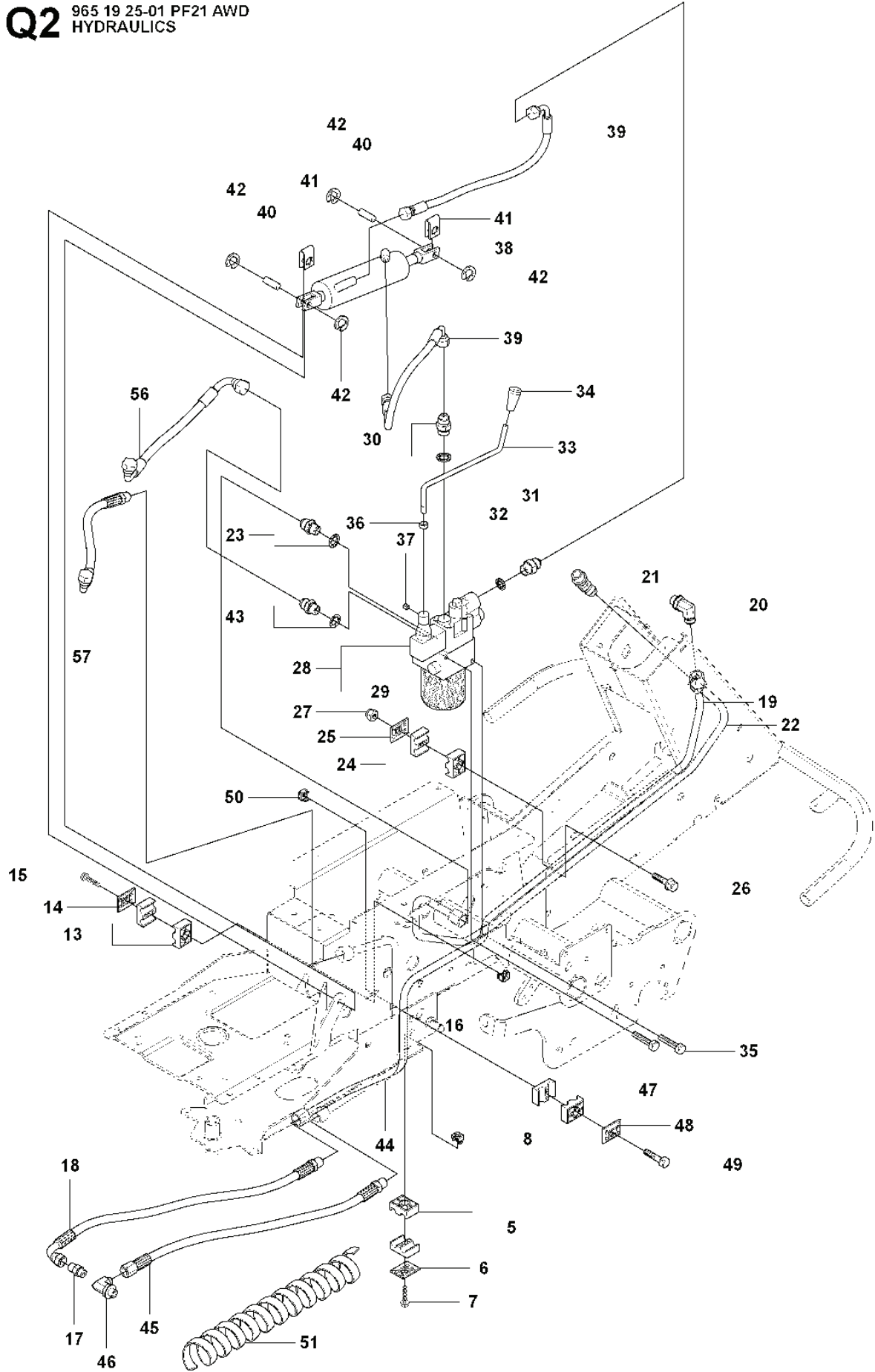
**Q1** 965 19 25-01 PF21 AWD  
HYDRAULICS 58



---

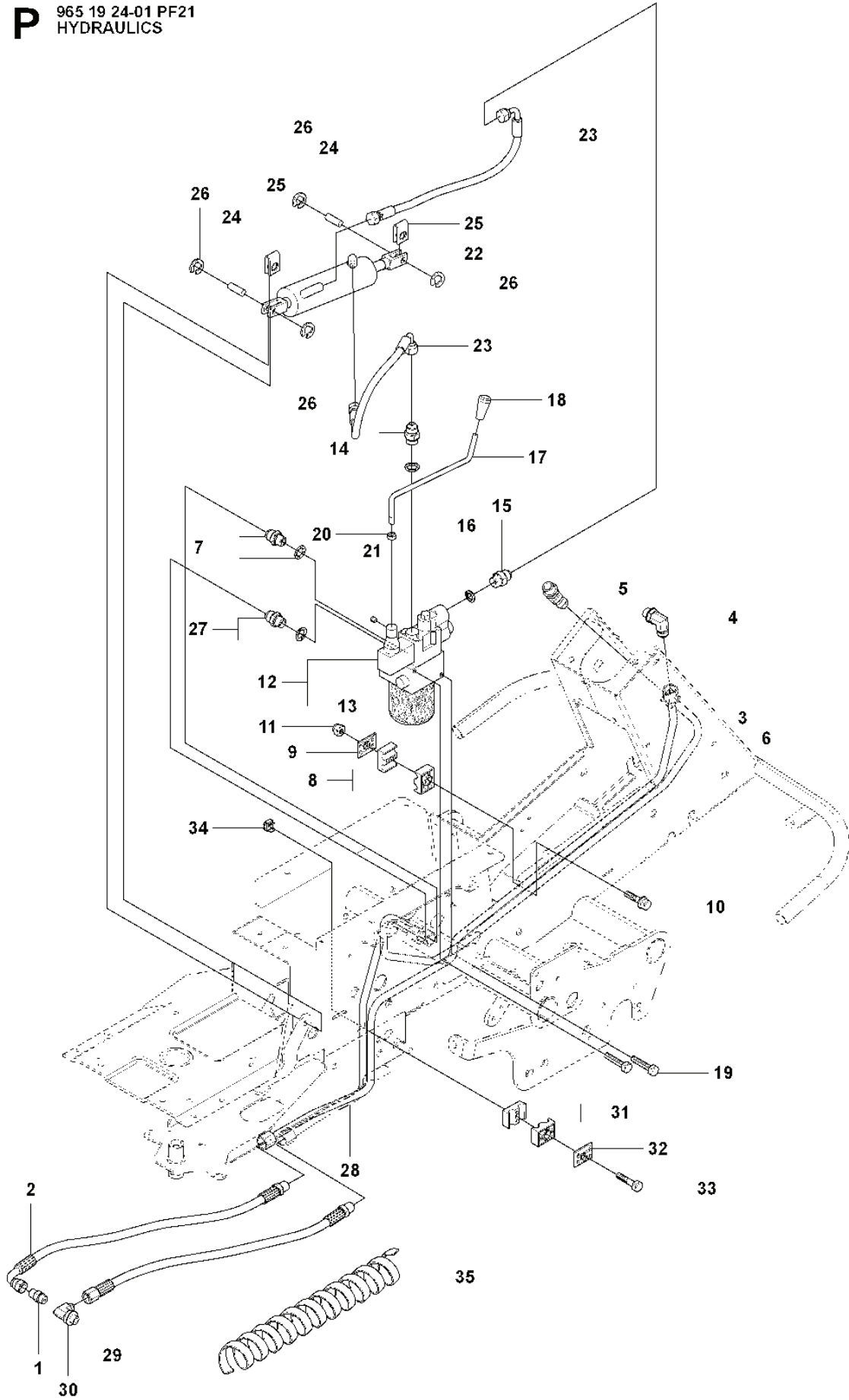
| REF. | ART. NR   | ARTIKELBESKRIVNING | ANMÄRKNING | KIT |
|------|-----------|--------------------|------------|-----|
| 1    | 535426507 | RÖRKOPPLING        |            | 2   |
| 2    | 544450401 | HYDRAULRÖR         |            | 1   |
| 3    | 544450501 | HYDRAULRÖR         |            | 1   |
| 4    | 544456401 | HYDRAULSLANG       |            | 2   |
| 9    | 535426603 | RÖRKOPPLING        |            | 1   |
| 10   | 544448901 | HYDRAULRÖR         |            | 1   |
| 11   | 544122202 | SLANG              |            | 1   |
| 12   | 544202701 | SLANGKLÄMMA        |            | 1   |
| 51   | 544026603 | SLANGSKYDD         |            | 1   |
| 52   | 504629601 | FÄSTE              |            | 1   |
| 53   | 504629701 | FÄSTE              |            | 1   |
| 54   | 535475212 | SKRUV EHHFM        |            | 7   |
| 55   | 732211601 | LOCK NUT           |            | 3   |
| 56   | 505520401 | HYDRAULSLANG       |            | 1   |
| 57   | 505496901 | HYDRAULSLANG       |            | 1   |
| 58   | 505459001 | OLJEKYLARE         |            | 1   |
| 59   | 504629301 | FLÄKT              |            | 1   |
| 60   | 505459101 | OLJEKYLARE         |            | 1   |
| 61   | 505459201 | FLÄKTKÅPA          |            | 1   |
| 62   | 505459301 | LUFTINTAG          |            | 1   |
| 63   | 725236671 | SKRUV EHHM         |            | 6   |
| 64   | 725237071 | SKRUV EHHM         |            | 1   |
| 65   | 734115201 | BRICKA             |            | 7   |

**Q2** 965 19 25-01 PF21 AWD  
HYDRAULICS



| REF. | ART. NR   | ARTIKELBESKRIVNING | ANMÄRKNING | KIT |
|------|-----------|--------------------|------------|-----|
| 5    | 544373302 | RÖRHÅLLARE         |            | 1   |
| 6    | 544373802 | TÄCKPLATTA         |            | 1   |
| 7    | 506570107 | SKRUV EHHFM        |            | 1   |
| 8    | 544811701 | KORGMUTTER         |            | 1   |
| 13   | 544373303 | RÖRHÅLLARE         |            | 1   |
| 14   | 535438501 | TÄCKBRICKA         |            | 1   |
| 15   | 535475245 | SKRUV EHHFM        |            | 1   |
| 16   | 544811702 | KORGMUTTER         |            | 1   |
| 17   | 535426501 | RÖRKOPPLING        |            | 1   |
| 18   | 535450301 | HYDRAULSLANG       |            | 1   |
| 19   | 544834201 | HYDRAULRÖR         |            | 1   |
| 20   | 535437301 | RÖRKOPPLING        |            | 1   |
| 21   | 535426901 | RÖRKOPPLING        |            | 1   |
| 22   | 504209901 | HYDRAULRÖR         |            | 1   |
| 23   | 535426801 | RÖRKOPPLING        |            | 1   |
| 24   | 544373303 | RÖRHÅLLARE         |            | 1   |
| 25   | 535438501 | TÄCKBRICKA         |            | 1   |
| 26   | 535475245 | SKRUV EHHFM        |            | 1   |
| 27   | 732211601 | LOCK NUT           |            | 1   |
| 28   | 535427402 | FILTERBLOCK ASSY   |            | 1   |
| 29   | 535427502 | FILTER             |            | 1   |
| 30   | 535437001 | RÖRKOPPLING        |            | 1   |
| 31   | 535437101 | RÖRKOPPLING        |            | 1   |
| 32   | 535437201 | BRICKA             |            | 1   |
| 33   | 505440001 | LYFTSPAK           |            | 1   |
| 34   | 535438201 | KNOPP              |            | 1   |
| 35   | 725244971 | SKRUV EHHM         |            | 2   |
| 36   | 731231801 | MUTTER (HEXAGON)   |            | 1   |
| 37   | 728844305 | SKRUV IHSETM       |            | 1   |
| 38   | 535427201 | CYLINDER KPL       |            | 1   |
| 39   | 535427103 | HYDRAULSLANG       |            | 2   |
| 40   | 535437601 | LÅSPINNE           |            | 2   |
| 41   | 535456601 | U-PLÅT             |            | 2   |
| 42   | 735311200 | SPÄRRING           |            | 4   |
| 43   | 535426801 | RÖRKOPPLING        |            | 1   |
| 44   | 504643401 | HYDRAULRÖR         |            | 1   |
| 45   | 535450402 | HYDRAULSLANG       |            | 1   |
| 46   | 535426601 | RÖRKOPPLING        |            | 1   |
| 47   | 544373303 | RÖRHÅLLARE         |            | 1   |
| 48   | 535438501 | TÄCKBRICKA         |            | 1   |
| 49   | 535475245 | SKRUV EHHFM        |            | 1   |
| 50   | 544811702 | KORGMUTTER         |            | 1   |
| 56   | 505520401 | HYDRAULSLANG       |            | 1   |
| 57   | 505496901 | HYDRAULSLANG       |            | 1   |

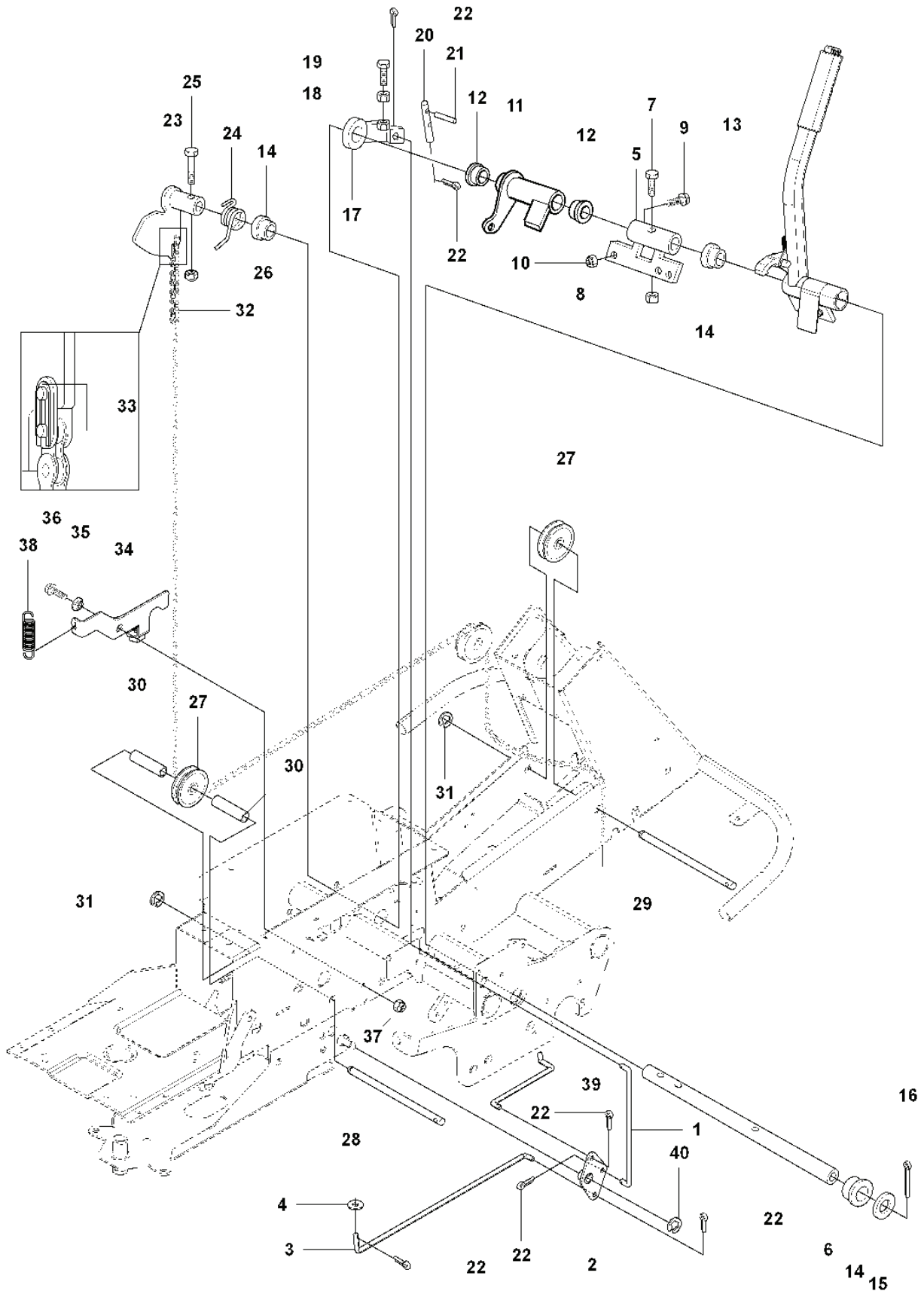
**P** 965 19 24-01 PF21  
HYDRAULICS



| REF. | ART. NR   | ARTIKELBESKRIVNING | ANMÄRKNING | KIT |
|------|-----------|--------------------|------------|-----|
| 1    | 535426501 | RÖRKOPPLING        |            | 1   |
| 2    | 535450301 | HYDRAULSLANG       |            | 1   |
| 3    | 544834201 | HYDRAULRÖR         |            | 1   |
| 4    | 535437301 | RÖRKOPPLING        |            | 1   |
| 5    | 535426901 | RÖRKOPPLING        |            | 1   |
| 6    | 504209901 | HYDRAULRÖR         |            | 1   |
| 7    | 535426801 | RÖRKOPPLING        |            | 1   |
| 8    | 544373303 | RÖRHÅLLARE         |            | 1   |
| 9    | 535438501 | TÄCKBRICKA         |            | 1   |
| 10   | 535475245 | SKRUV EHHFM        |            | 1   |
| 11   | 732211601 | LOCK NUT           |            | 1   |
| 12   | 535427402 | FILTERBLOCK ASSY   |            | 1   |
| 13   | 535427502 | FILTER             |            | 1   |
| 14   | 535437001 | RÖRKOPPLING        |            | 1   |
| 15   | 535437101 | RÖRKOPPLING        |            | 1   |
| 16   | 535437201 | BRICKA             |            | 1   |
| 17   | 505440001 | LYFTSPAK           |            | 1   |
| 18   | 535438201 | KNOPP              |            | 1   |
| 19   | 725244971 | SKRUV EHHM         |            | 2   |
| 20   | 731231801 | MUTTER (HEXAGON)   |            | 1   |
| 21   | 728844305 | SKRUV IHSETM       |            | 1   |
| 22   | 535427201 | CYLINDER KPL       |            | 1   |
| 23   | 535427103 | HYDRAULSLANG       |            | 2   |
| 24   | 535437601 | LÅSPINNE           |            | 2   |
| 25   | 535456601 | U-PLÅT             |            | 2   |
| 26   | 735311200 | SPÅRRING           |            | 4   |
| 27   | 535426801 | RÖRKOPPLING        |            | 1   |
| 28   | 544834401 | HYDRAULRÖR         |            | 1   |
| 29   | 535450402 | HYDRAULSLANG       |            | 1   |
| 30   | 535426601 | RÖRKOPPLING        |            | 1   |
| 31   | 544373303 | RÖRHÅLLARE         |            | 1   |
| 32   | 535438501 | TÄCKBRICKA         |            | 1   |
| 33   | 535475245 | SKRUV EHHFM        |            | 1   |
| 34   | 544811702 | KORGMUTTER         |            | 1   |
| 35   | 544026601 | SLANGSKYDD         |            | 1   |

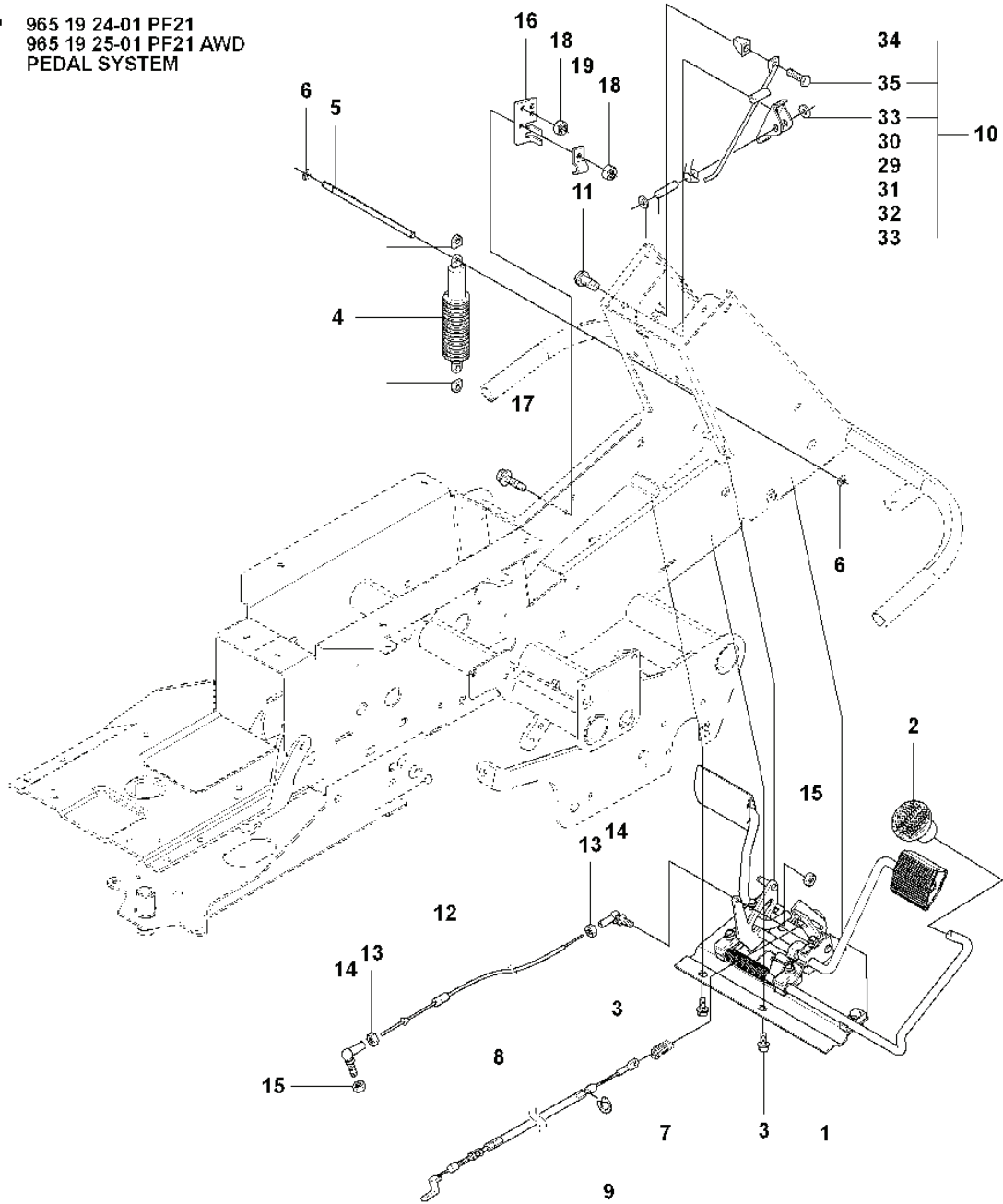


**D** 965 19 24-01 PF21  
965 19 25-01 PF21 AWD  
LIFTING SYSTEM

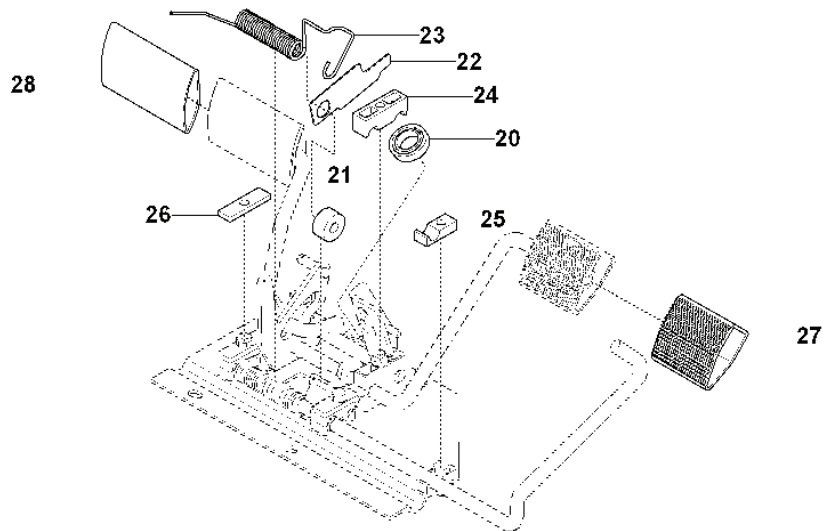


| REF. | ART. NR   | ARTIKELBESKRIVNING | ANMÄRKNING | KIT |
|------|-----------|--------------------|------------|-----|
| 1    | 506665901 | CLUTCH ROD FRONT   |            | 1   |
| 2    | 504636701 | LÄNK               |            | 1   |
| 3    | 535444702 | CLUTCH ROD REAR    |            | 1   |
| 4    | 734116441 | BRICKA             |            | 1   |
| 5    | 506951101 | MEDBRINGARE KPL    |            | 1   |
| 6    | 506968001 | AXEL               |            | 1   |
| 7    | 725254451 | SKRUV EHHM         |            | 1   |
| 8    | 732252201 | HEXAGON LÅSMUTTER  |            | 1   |
| 9    | 725245351 | SKRUV EHHM         |            | 2   |
| 10   | 731231801 | MUTTER (HEXAGON)   |            | 2   |
| 11   | 506951401 | ACTUATOR           |            | 1   |
| 12   | 506556501 | LAGER              |            | 2   |
| 13   | 504907901 | LYFTSPAK KPL       |            | 1   |
| 14   | 506556501 | LAGER              |            | 3   |
| 15   | 506515701 | BRICKA             |            | 1   |
| 16   | 721620101 | SPLIT PIN          |            | 1   |
| 17   | 506784301 | LÄNK KPL           |            | 1   |
| 18   | 731232051 | MUTTER (HEXAGON)   |            | 1   |
| 19   | 725249751 | SCREW              |            | 1   |
| 20   | 506905301 | PENNOR             |            | 1   |
| 21   | 721125930 | RÄFFELPINNE        |            | 1   |
| 22   | 721618301 | SPLIT PIN          |            | 6   |
| 23   | 506940501 | LYFTARM            |            | 1   |
| 24   | 506817001 | FJÄDER             |            | 1   |
| 25   | 725254471 | SKRUV EHHM         |            | 1   |
| 26   | 732252201 | HEXAGON LÅSMUTTER  |            | 1   |
| 27   | 506905601 | BRYTHJUL           |            | 2   |
| 28   | 506905701 | AXEL               |            | 1   |
| 29   | 506905702 | AXEL               |            | 1   |
| 30   | 506905801 | RÖRHYLSA           |            | 2   |
| 31   | 735311820 | SPÄRRYTTARE        |            | 2   |
| 32   | 506554608 | KEDJA              |            | 1   |
| 33   | 506554701 | LINKAGE            |            | 1   |
| 34   | 504628701 | BROMSARM           |            | 1   |
| 35   | 506918702 | BRICKA             |            | 1   |
| 36   | 506570105 | SKRUV EHHFM        |            | 1   |
| 37   | 732211801 | LOCK NUT           |            | 1   |
| 38   | 506542501 | FJÄDER             |            | 1   |
| 39   | 504636801 | STÅNG              |            | 1   |
| 40   | 735311420 | SPÄRRYTTARE        |            | 1   |

**F** 965 19 24-01 PF21  
 965 19 25-01 PF21 AWD  
 PEDAL SYSTEM

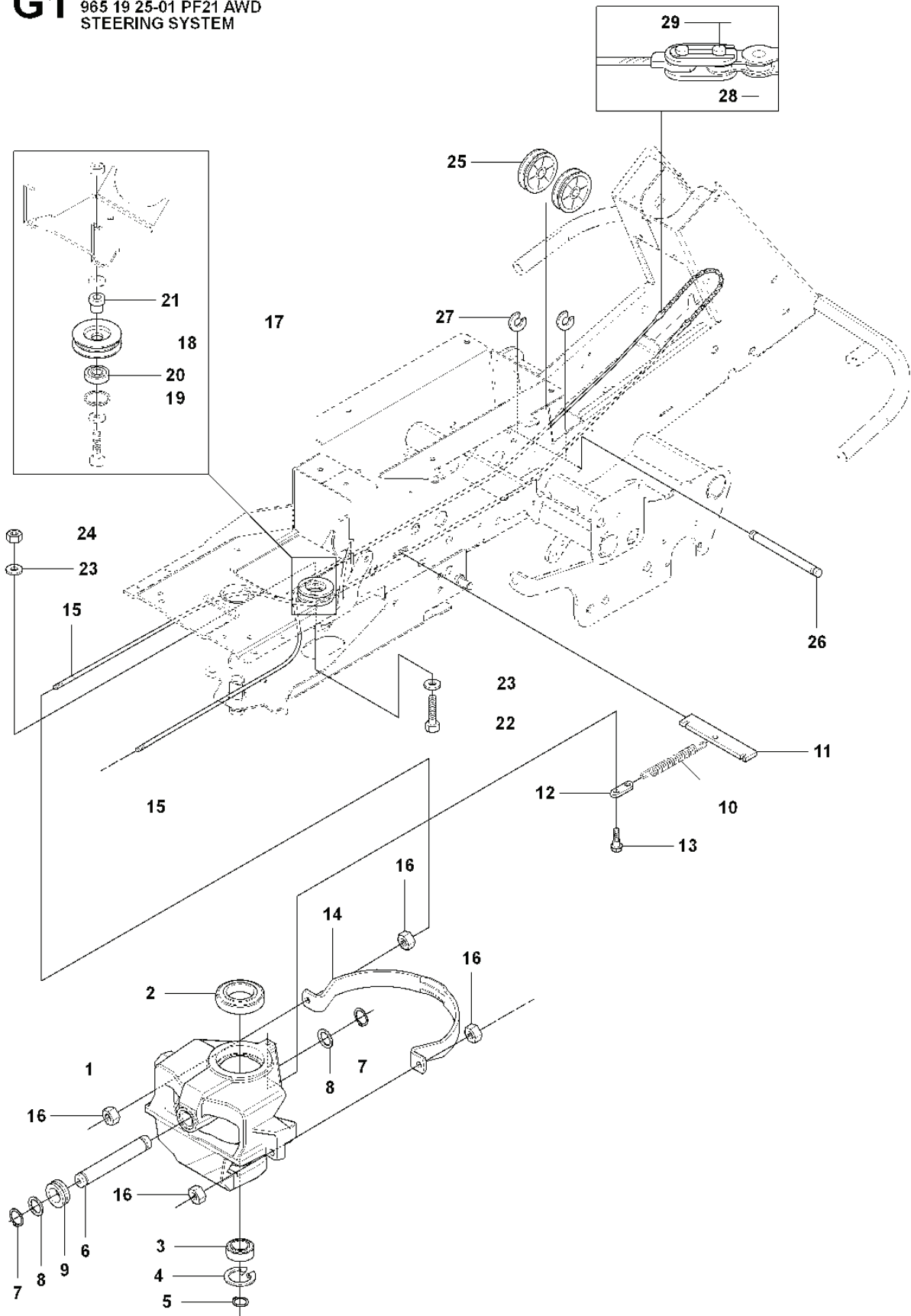


**PEDALS**



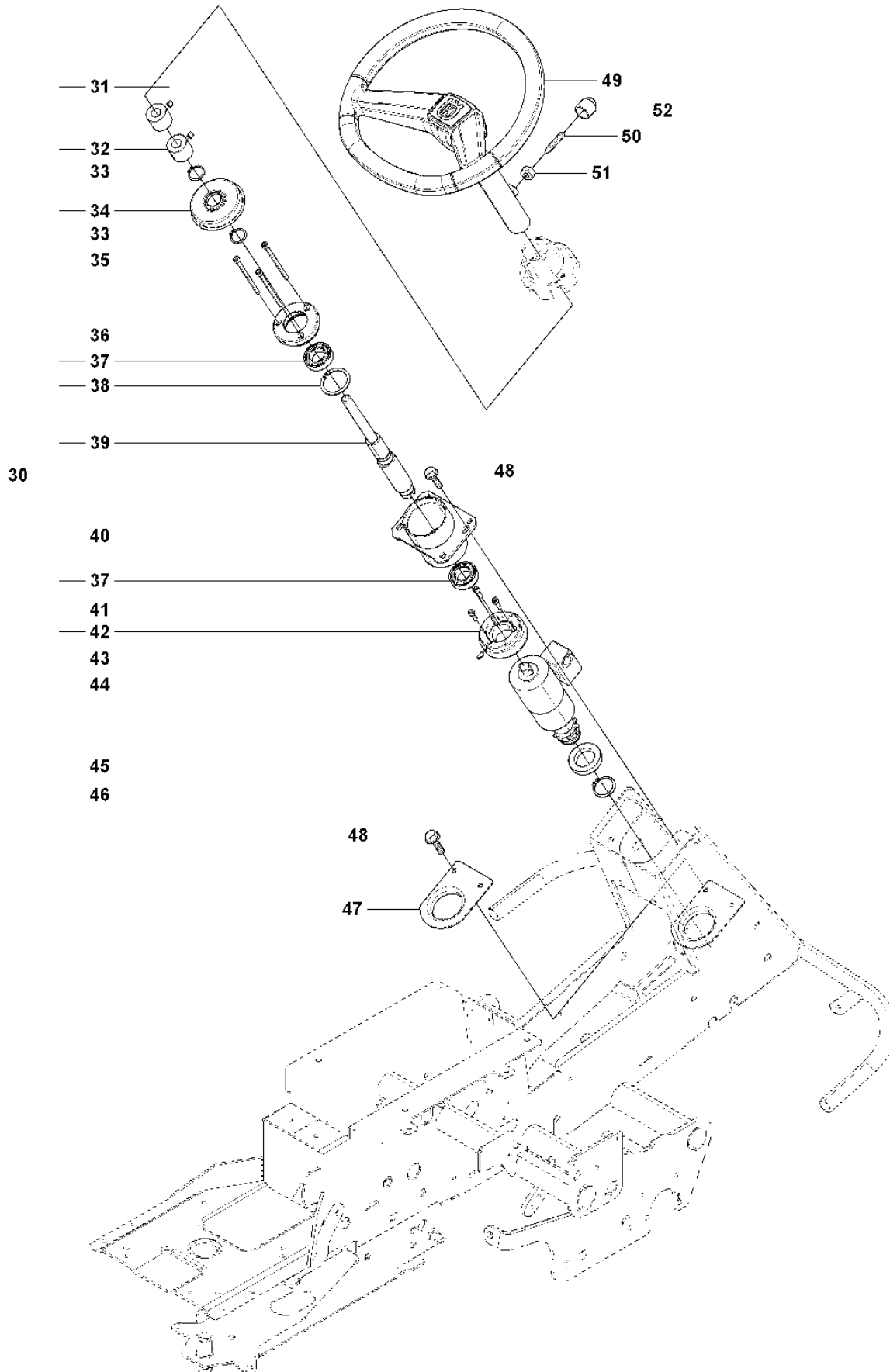
| REF. | ART. NR   | ARTIKELBESKRIVNING   | ANMÄRKNING | KIT |
|------|-----------|----------------------|------------|-----|
| 1    | 544126001 | PEDALPLATTA KPL      |            | 1   |
| 2    | 535473701 | KNOPP                |            | 1   |
| 3    | 506570104 | SKRUV EHHFM          |            | 4   |
| 4    | 506938301 | DAMPING PIECE        |            | 1   |
| 5    | 506938402 | AXEL                 |            | 1   |
| 6    | 735310920 | SPÄRRYTTARE          |            | 2   |
| 7    | 506946301 | BROMSFJÄDER          |            | 1   |
| 8    | 506992702 | KABEL                |            | 1   |
| 8    | 535489601 | BROMSWIRE            |            | 1   |
| 9    | 735310920 | SPÄRRYTTARE          |            | 1   |
| 10   | 506538404 | BROMSSPÄRR KPL. GEM. |            | 1   |
| 11   | 725236461 | SKRUV EHHFT          |            | 2   |
| 12   | 505515101 | REGLAGEKABEL         |            | 1   |
| 13   | 731231401 | MUTTER (HEXAGON)     |            | 2   |
| 14   | 506557301 | VINKELLAS8 DIN71802  |            | 2   |
| 15   | 732211401 | LOCK NUT             |            | 2   |
| 16   | 506800001 | FÄSTE                |            | 1   |
| 17   | 535475316 | SKRUV EHHFM          |            | 2   |
| 18   | 732211401 | LOCK NUT             |            | 2   |
| 19   | 506566501 | KLÄMMA               |            | 1   |
| 20   | 738210204 | KULLAGER             |            | 1   |
| 21   | 535480201 | RULLE                |            | 1   |
| 22   | 535480601 | SKYDDSPÅT            |            | 1   |
| 23   | 535480701 | FJÄDER               |            | 1   |
| 24   | 535480801 | LAGERSTÖD            |            | 4   |
| 25   | 535480901 | LAGERSTÖD            |            | 5   |
| 26   | 535481001 | FÖRSTÄRKNINGSPLATTA  |            | 3   |
| 27   | 535478801 | PEDALGUMMI           |            | 1   |
| 28   | 535478802 | PEDALGUMMI           |            | 1   |
| 29   | 506538501 | LOCKING ARM          |            | 1   |
| 30   | 506538601 | FÄSTE                |            | 1   |
| 31   | 506538901 | FJÄDER               |            | 1   |
| 32   | 506538801 | AXEL                 |            | 1   |
| 33   | 735583501 | BRICKA               |            | 2   |
| 34   | 506538704 | MANÖVERKNAPP         |            | 1   |
| 35   | 729532971 | SKRUV CRPANT         |            | 1   |

**G1** 965 19 24-01 PF21  
965 19 25-01 PF21 AWD  
STEERING SYSTEM



| REF. | ART. NR   | ARTIKELBESKRIVNING | ANMÄRKNING | KIT |
|------|-----------|--------------------|------------|-----|
| 1    | 506934702 | SPINDEL            |            | 1   |
| 2    | 738211004 | KULLAGER           |            | 1   |
| 3    | 738210504 | KULLAGER           |            | 1   |
| 4    | 735314010 | SPÄRRING           |            | 1   |
| 5    | 735312600 | SPÄRRING           |            | 1   |
| 6    | 535463001 | PENDELAXEL         |            | 1   |
| 7    | 735312600 | SPÄRRING           |            | 2   |
| 8    | 506773401 | BRICKA             |            | 2   |
| 9    | 740681421 | V-RING             |            | 1   |
| 10   | 506671901 | FJÄDER             |            | 1   |
| 11   | 506576301 | FJÄDERFÄSTE        |            | 1   |
| 12   | 506670801 | LÄNK               |            | 1   |
| 13   | 506597401 | SKRUV EHHFM        |            | 1   |
| 14   | 544427301 | WIRESTYRNING       |            | 1   |
| 15   | 506589103 | WIRE KPL           |            | 2   |
| 16   | 731232051 | MUTTER (HEXAGON)   |            | 4   |
| 17   | 506500903 | BARRING WHEEL      |            | 1   |
| 18   | 535424101 | BARRING WHEEL      |            | 1   |
| 19   | 735314010 | SPÄRRING           |            | 1   |
| 20   | 738220419 | KULLAGER           |            | 1   |
| 21   | 506500802 | BUSHING            |            | 1   |
| 22   | 725250051 | SKRUV EHHM         |            | 1   |
| 23   | 734117441 | BRICKA             |            | 2   |
| 24   | 732212051 | MUTTER             |            | 1   |
| 25   | 506522401 | LINHJUL            |            | 2   |
| 26   | 506539401 | AXEL               |            | 1   |
| 27   | 735311420 | SPÄRRYTARE         |            | 2   |
| 28   | 506554601 | KEDJA              |            | 1   |
| 29   | 506554701 | LINKAGE            |            | 2   |

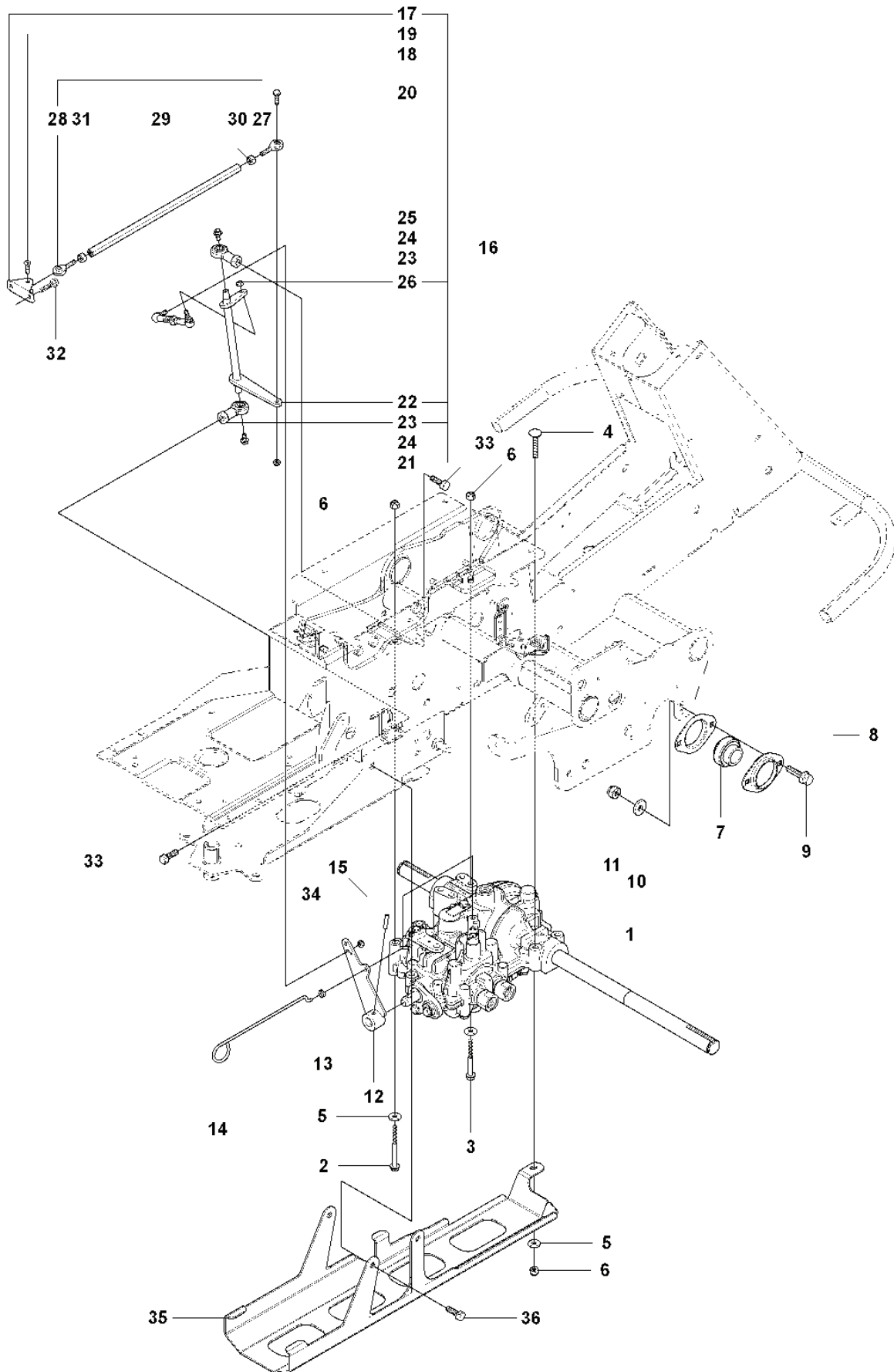
**G2** 965 19 24-01 PF21  
965 19 25-01 PF21 AWD  
STEERING SYSTEM



| REF. | ART. NR   | ARTIKELBESKRIVNING | ANMÄRKNING | KIT |
|------|-----------|--------------------|------------|-----|
| 30   | 502636001 | STYRSERVO          |            | 1   |
| 31   | 728844305 | SKRUV IHSETM       |            | 2   |
| 32   | 506863401 | MEDBRINGARE        |            | 2   |
| 33   | 735312600 | SPÄRRING           |            | 2   |
| 34   | 535423701 | BÄLG               |            | 1   |
| 35   | 535432801 | SKRUV IHSCM        |            | 3   |
| 36   | 535423601 | LAGERHUS           |            | 1   |
| 37   | 738210504 | KULLAGER           |            | 2   |
| 38   | 735314010 | SPÄRRING           |            | 1   |
| 39   | 535421901 | RATTSTÅNG          |            | 1   |
| 40   | 502296201 | FÖRSTÄRKNINGSRÖR   |            | 1   |
| 41   | 725537001 | SKRUV IHSCM        |            | 3   |
| 42   | 535423501 | LAGERHUS           |            | 1   |
| 43   | 721433501 | SPÄNNSTIFT         |            | 1   |
| 44   | 535457102 | STYRSERVO          |            | 1   |
| 45   | 535427801 | KULLAGER           |            | 1   |
| 46   | 735313300 | SPÄRRING           |            | 1   |
| 47   | 504538201 | LAGERHÅLLARE       |            | 1   |
| 48   | 506570104 | SKRUV EHHFM        |            | 4   |
| 49   | 544375201 | RATT               |            | 1   |
| 50   | 728745505 | SKRUV IHSETM       |            | 1   |
| 51   | 731231801 | MUTTER (HEXAGON)   |            | 1   |
| 52   | 544433201 | SKYDDSKÅPA         |            | 1   |

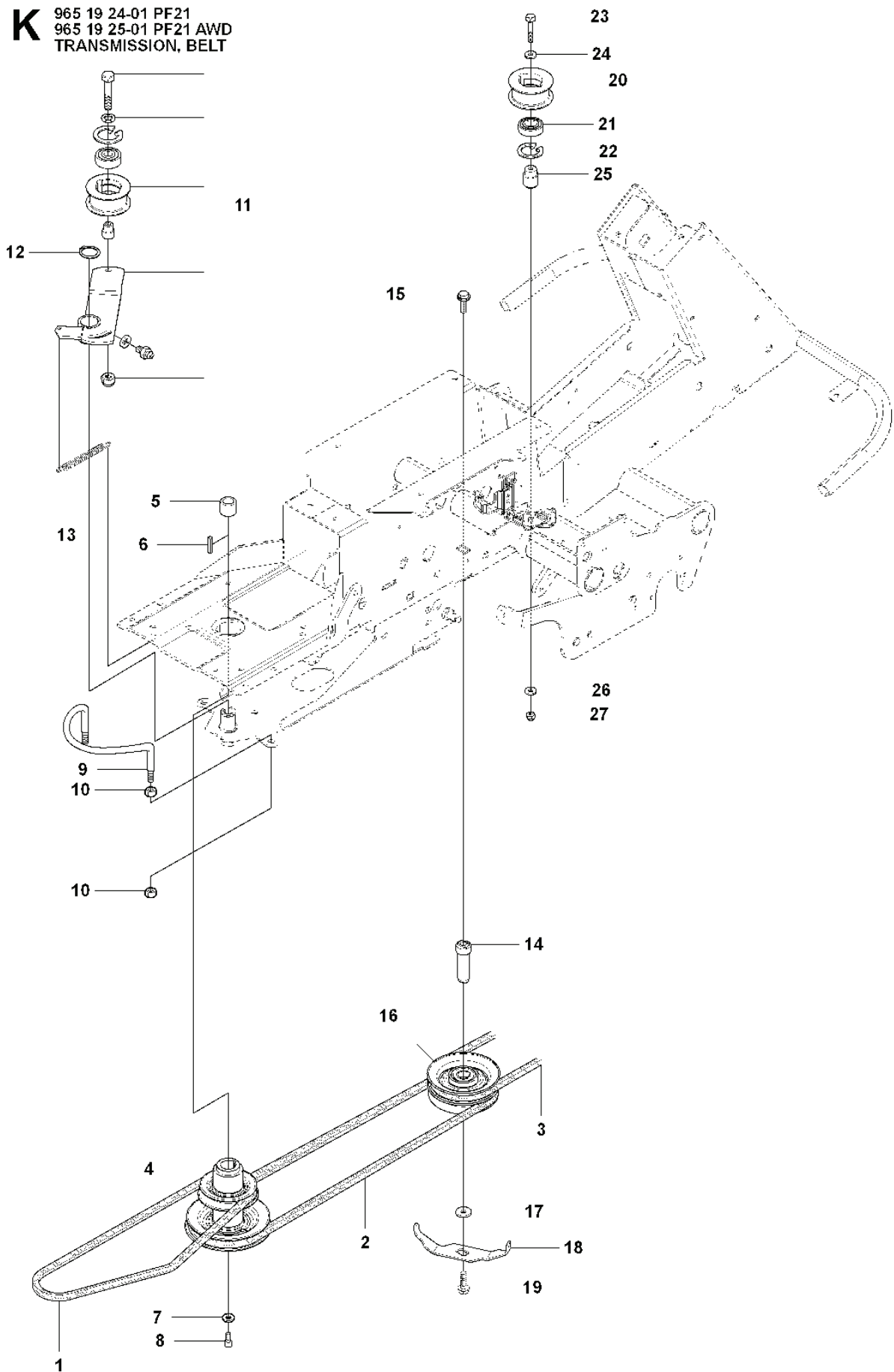


**N** 965 19 25-01 PF21 AWD  
TRANSMISSION, FRONT



| REF. | ART. NR   | ARTIKELBESKRIVNING    | ANMÄRKNING | KIT |
|------|-----------|-----------------------|------------|-----|
| 1    | 535482901 | TRANSMISSION          |            | 1   |
| 2    | 725246751 | SKRUV EHHM            |            | 1   |
| 3    | 725246451 | SKRUV EHHM            |            | 1   |
| 4    | 535423803 | SKRUV RSQM            |            | 1   |
| 5    | 734116401 | BRICKA                |            | 3   |
| 6    | 732211801 | LOCK NUT              |            | 3   |
| 7    | 544008902 | LAGER                 |            | 1   |
| 8    | 544009002 | LAGERHUS              |            | 1   |
| 9    | 506570105 | SKRUV EHHFM           |            | 2   |
| 10   | 734116401 | BRICKA                |            | 2   |
| 11   | 732211801 | LOCK NUT              |            | 2   |
| 12   | 544435201 | HÄVARM                |            | 1   |
| 13   | 503735801 | BUSHING               |            | 1   |
| 14   | 535499701 | ARM                   |            | 1   |
| 15   | 721434701 | SPÄNNSTIFT            |            | 1   |
| 16   | 544841501 | LÄNK KPL              |            | 1   |
| 17   | 535492802 | FÄSTE                 |            | 1   |
| 18   | 544456701 | STÄNG                 |            | 1   |
| 19   | 544841701 | SCREW                 |            | 1   |
| 20   | 725237071 | SKRUV EHHM            |            | 1   |
| 21   | 732251601 | HEXAGON LÅSMUTTER     |            | 1   |
| 22   | 535497401 | HÄVARM                |            | 1   |
| 23   | 506951701 | LÄNKHUVUD             |            | 2   |
| 24   | 535475212 | SKRUV EHHFM           |            | 2   |
| 25   | 544441901 | JUSTERSTÄNG           |            | 1   |
| 26   | 732251601 | HEXAGON LÅSMUTTER     |            | 1   |
| 27   | 535486601 | LÄNKHUVUD             |            | 1   |
| 28   | 535486602 | LÄNKHUVUD             |            | 1   |
| 29   | 535486501 | STÄNG                 |            | 1   |
| 30   | 731231601 | MUTTER (HEXAGON)      |            | 1   |
| 31   | 503221018 | MUTTER (HEXAGON)      |            | 1   |
| 32   | 725236651 | HEXAGONAL SCREW M6X12 |            | 2   |
| 33   | 725249371 | SKRUV EHHM            |            | 2   |
| 34   | 732211601 | LOCK NUT              |            | 1   |
| 35   | 544845701 | HASPLÅT               |            | 1   |
| 36   | 506570104 | SKRUV EHHFM           |            | 3   |

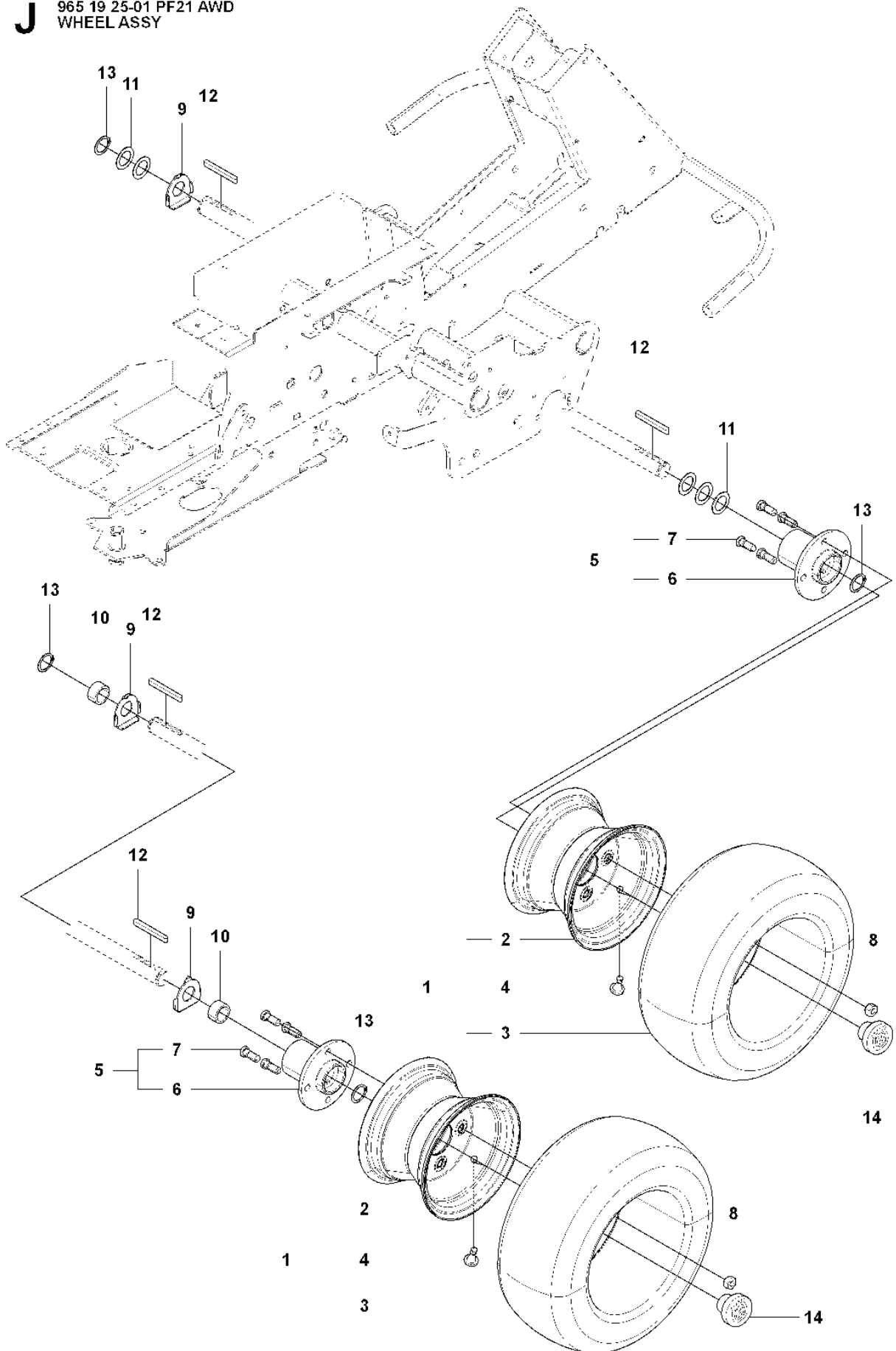
**K** 965 19 24-01 PF21  
965 19 25-01 PF21 AWD  
TRANSMISSION, BELT



---

| REF. | ART. NR   | ARTIKELBESKRIVNING | ANMÄRKNING | KIT |
|------|-----------|--------------------|------------|-----|
| 1    | 506991901 | DRIVE BELT         |            | 1   |
| 2    | 589532901 | REM                |            | 1   |
| 3    | 589531101 | REM                |            | 1   |
| 4    | 535482401 | REMSKIVA           |            | 1   |
| 5    | 506509201 | DISTANSHYLSA       |            | 1   |
| 6    | 506555901 | KIL                |            | 1   |
| 7    | 506597501 | BRICKA             |            | 1   |
| 8    | 506556002 | SCREW UNC          |            | 1   |
| 9    | 506664501 | REMSTYRARE         |            | 1   |
| 10   | 731232051 | MUTTER (HEXAGON)   |            | 4   |
| 11   | 535484402 | REMSPÄNNARE KPL    |            | 1   |
| 12   | 735312600 | SPÄRRING           |            | 1   |
| 13   | 506665601 | FJÄDER             |            | 1   |
| 14   | 544426102 | AXEL               |            | 1   |
| 15   | 506675402 | SKRUV EHHFM        |            | 1   |
| 16   | 535482201 | REMSKIVA           |            | 1   |
| 17   | 506775701 | BRICKA             |            | 1   |
| 18   | 544405301 | REMSTYRARE         |            | 1   |
| 19   | 506570105 | SKRUV EHHFM        |            | 1   |
| 20   | 506928901 | REMSKIVA           |            | 1   |
| 21   | 738210404 | KULLAGER           |            | 1   |
| 22   | 735313810 | SPÄRRING           |            | 1   |
| 23   | 725246151 | SKRUV EHHM         |            | 1   |
| 24   | 734116441 | BRICKA             |            | 1   |
| 25   | 544002901 | BUSHING            |            | 1   |
| 26   | 734116401 | BRICKA             |            | 1   |
| 27   | 732211801 | LOCK NUT           |            | 1   |

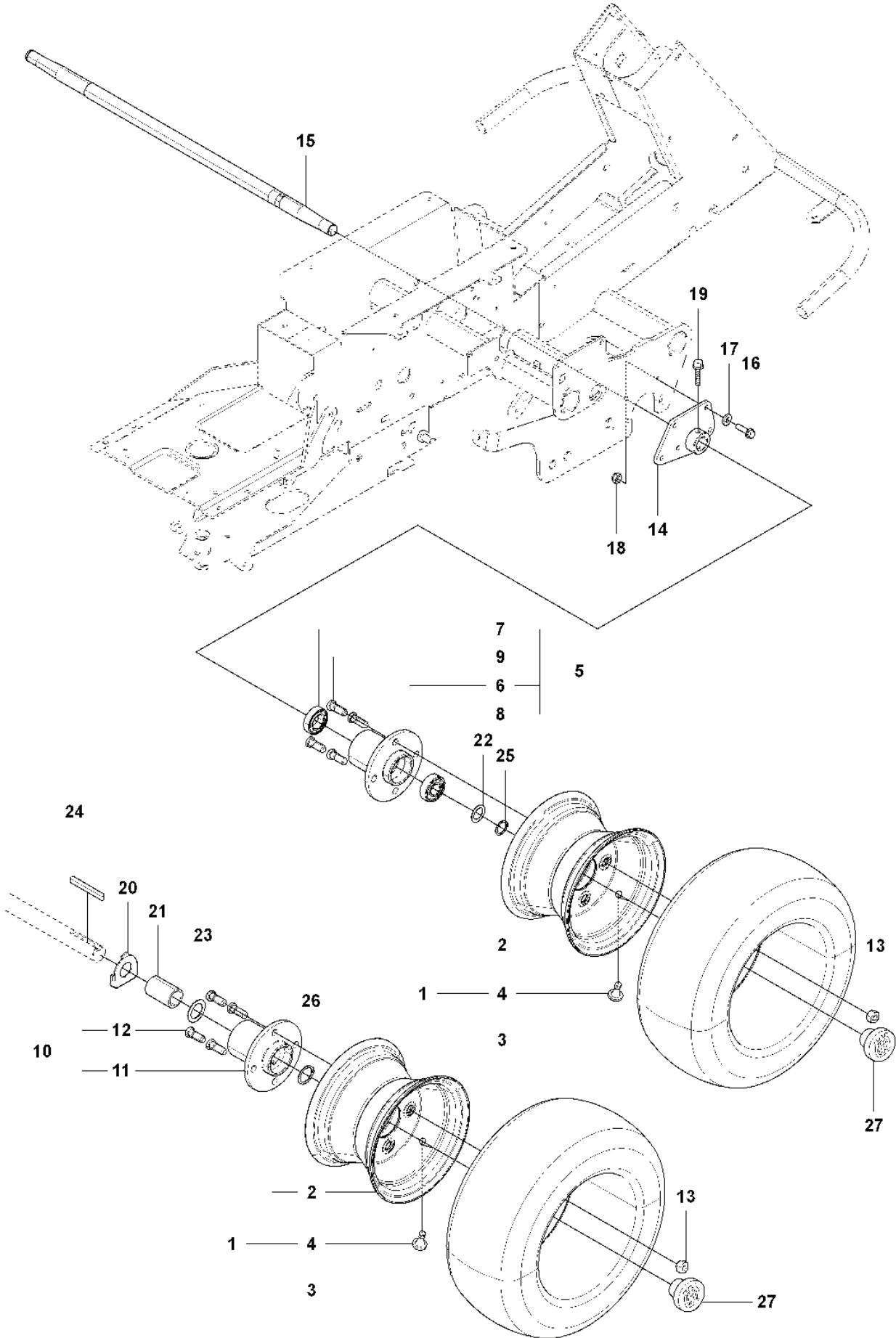
**J** 965 19 25-01 PF21 AWD  
WHEEL ASSY



---

| REF. | ART. NR   | ARTIKELBESKRIVNING | ANMÄRKNING | KIT |
|------|-----------|--------------------|------------|-----|
| 1    | 504630002 | HJUL KPL           |            | 4   |
| 2    | 506867801 | FÄLG               |            | 1   |
| 3    | 535467901 | DÄCK               |            | 1   |
| 4    | 506574301 | VENTIL KPL         |            | 1   |
| 5    | 506864601 | NAV KPL            |            | 4   |
| 6    | 506890001 | NAV                |            | 1   |
| 7    | 506890201 | BULT               |            | 4   |
| 8    | 506865001 | HJULMUTTER         |            | 16  |
| 9    | 505512401 | WASHER STEEL       |            | 3   |
| 10   | 506800908 | HYLSA              |            | 2   |
| 11   | 506504806 | BRICKA             |            | 5   |
| 12   | 506555901 | KIL                |            | 4   |
| 13   | 735312600 | SPÄRRING           |            | 4   |
| 14   | 506864801 | SKYDDSKÅPA         |            | 4   |

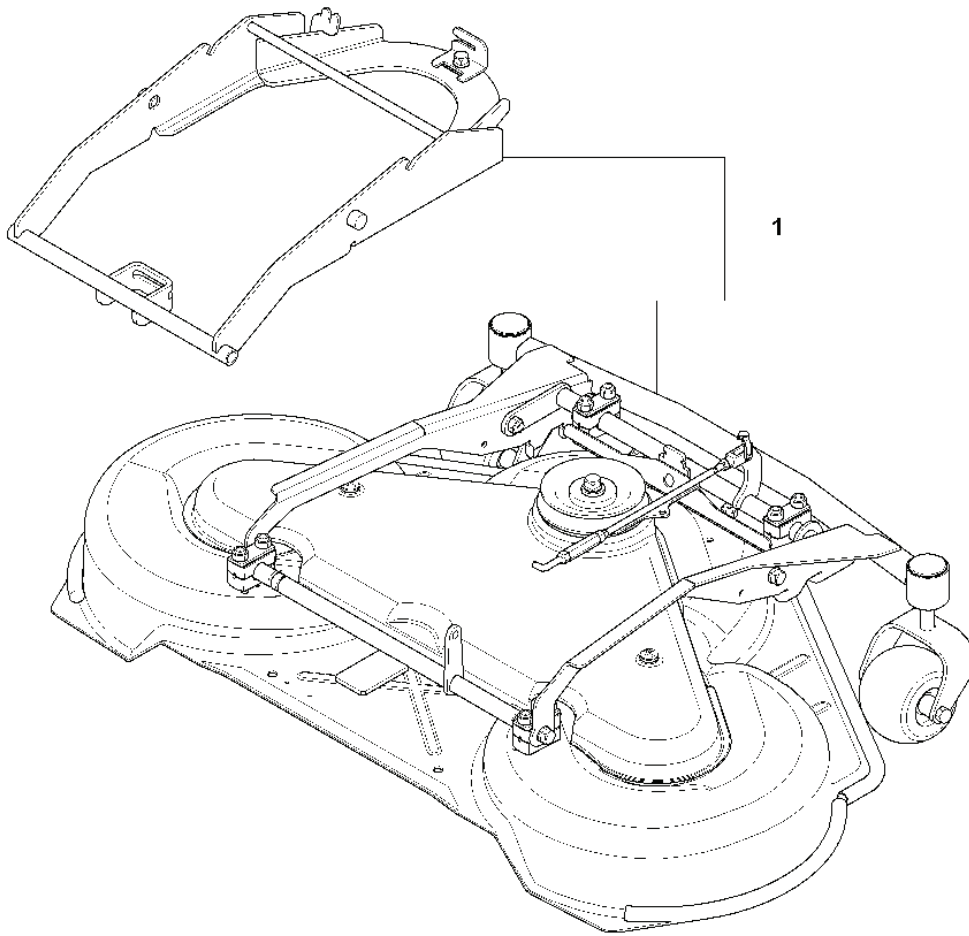
**J** 965 19 24-01 PF21  
WHEEL ASSY



| REF. | ART. NR   | ARTIKELBESKRIVNING | ANMÄRKNING | KIT |
|------|-----------|--------------------|------------|-----|
| 1    | 504630002 | HJUL KPL           |            | 4   |
| 2    | 506867801 | FÄLG               |            | 1   |
| 3    | 535467901 | DÄCK               |            | 1   |
| 4    | 506574301 | VENTIL KPL         |            | 1   |
| 5    | 506864701 | NAV KPL            |            | 2   |
| 6    | 506890101 | NAV                |            | 1   |
| 7    | 738210504 | KULLAGER           |            | 1   |
| 8    | 738220419 | KULLAGER           |            | 1   |
| 9    | 506890201 | BULT               |            | 4   |
| 10   | 506864601 | NAV KPL            |            | 2   |
| 11   | 506890001 | NAV                |            | 1   |
| 12   | 506890201 | BULT               |            | 4   |
| 13   | 506865001 | HJULMUTTER         |            | 16  |
| 14   | 504619801 | FÄSTE              |            | 2   |
| 15   | 505453001 | FRONT AXLE         |            | 1   |
| 16   | 506570105 | SKRUV EHHFM        |            | 6   |
| 17   | 734116401 | BRICKA             |            | 6   |
| 18   | 732211801 | LOCK NUT           |            | 6   |
| 19   | 725245961 | SKRUV EHHFT        |            | 1   |
| 20   | 505512401 | WASHER STEEL       |            | 2   |
| 21   | 506800901 | HYLSA              |            | 2   |
| 22   | 506504805 | BRICKA             |            | 2   |
| 23   | 506504806 | BRICKA             |            | 2   |
| 24   | 506555901 | KIL                |            | 2   |
| 25   | 735312200 | SPÄRRING           |            | 2   |
| 26   | 735312600 | SPÄRRING           |            | 2   |
| 27   | 506864801 | SKYDDSKÅPA         |            | 4   |



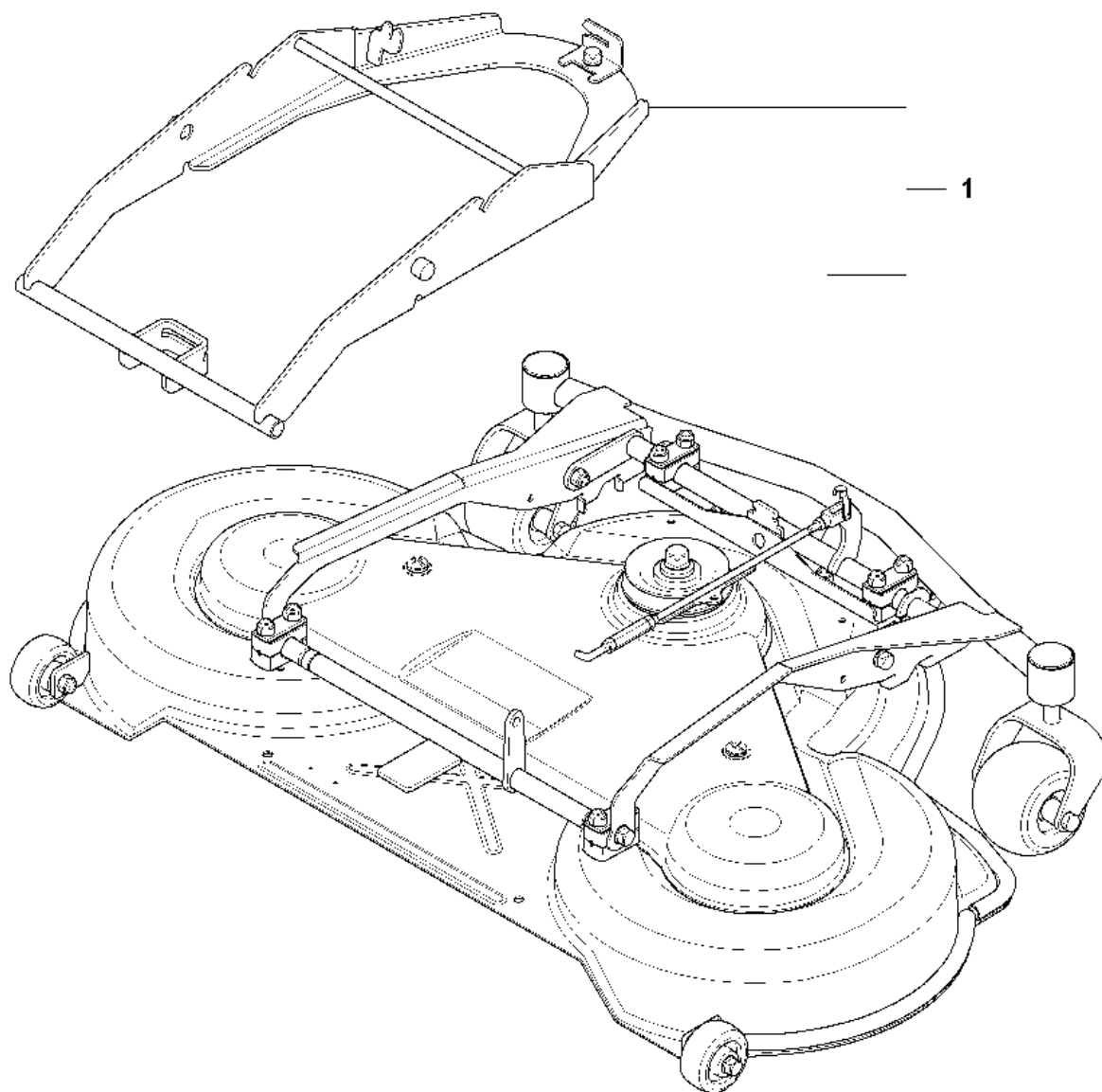
**T** 965 19 24-01 PF21  
965 19 25-01 PF21 AWD  
965 19 73-01 MOWER DECK, CT112



---

| REF. | ART. NR   | ARTIKELBESKRIVNING | ANMÄRKNING | KIT |
|------|-----------|--------------------|------------|-----|
| 1    | 502300003 | KLIPPAGGREGAT      |            | 1   |

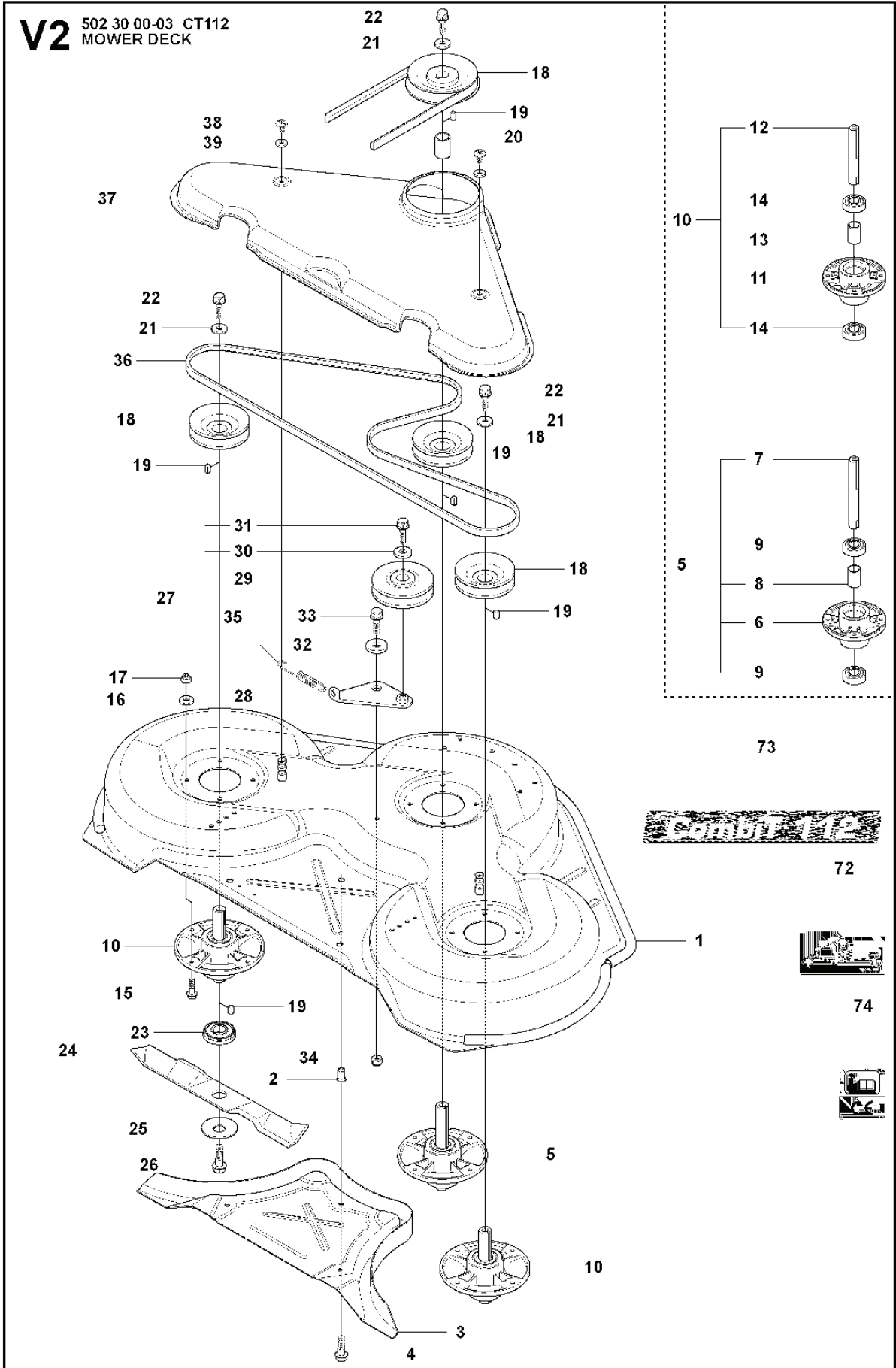
**U** 965 19 24-01 PF21  
965 19 25-01 PF21 AWD  
965 19 74-01 MOWER DECK, CT122



---

| REF. | ART. NR   | ARTIKELBESKRIVNING | ANMÄRKNING | KIT |
|------|-----------|--------------------|------------|-----|
| 1    | 502300004 | KLIPPAGGREGAT      |            | 1   |

**V2** 502 30 00-03 CT112  
MOWER DECK

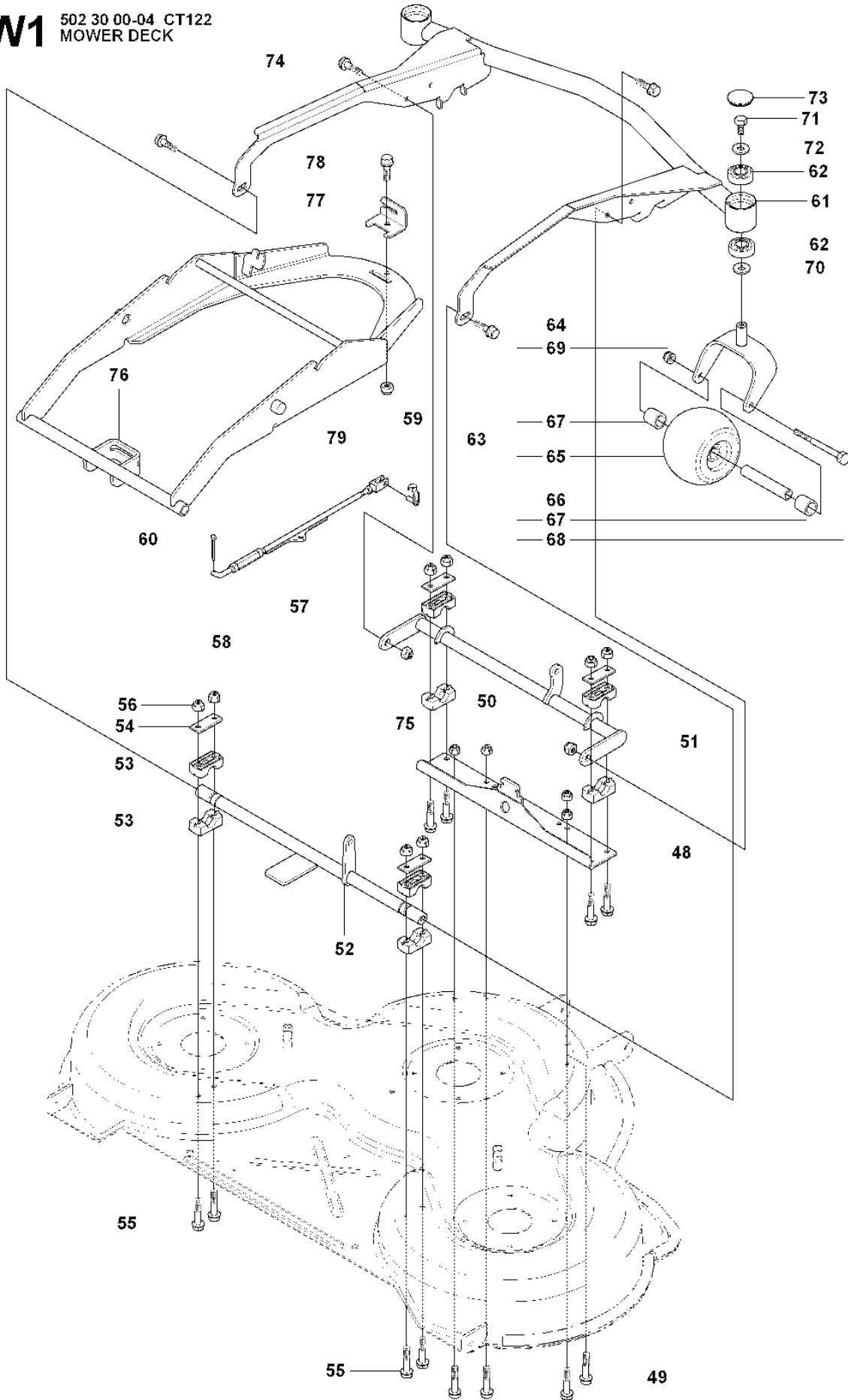


**Pambit 112**



| REF. | ART. NR   | ARTIKELBESKRIVNING | ANMÄRKNING | KIT |
|------|-----------|--------------------|------------|-----|
| 1    | 504569901 | KLIPPKÅPA KPL      |            | 1   |
| 2    | 506916201 | MUTTER             |            | 3   |
| 3    | 544449301 | PLUGG              |            | 1   |
| 4    | 506570104 | SKRUV EHHFM        |            | 3   |
| 5    | 535503501 | DORN               |            | 1   |
| 6    | 535503401 | LAGERHUS           |            | 1   |
| 7    | 535428701 | AXEL               |            | 1   |
| 8    | 535428801 | DISTANSBRICKA      |            | 1   |
| 9    | 738220519 | KULLAGER           |            | 2   |
| 10   | 535503502 | DORN               |            | 2   |
| 11   | 535503401 | LAGERHUS           |            | 1   |
| 12   | 535428702 | AXEL               |            | 1   |
| 13   | 535428801 | DISTANSBRICKA      |            | 1   |
| 14   | 738220519 | KULLAGER           |            | 2   |
| 15   | 535423801 | SKRUV RSQM         |            | 12  |
| 16   | 734116401 | BRICKA             |            | 12  |
| 17   | 732211801 | LOCK NUT           |            | 12  |
| 18   | 535429001 | REMSKIVA           |            | 4   |
| 19   | 506533501 | PLATTKIL           |            | 7   |
| 20   | 535428801 | DISTANSBRICKA      |            | 1   |
| 21   | 535429201 | BRICKA             |            | 3   |
| 22   | 725254251 | SKRUV EHHM         |            | 3   |
| 23   | 535504201 | ADAPTER            |            | 3   |
| 24   | 504187810 | KNIV               |            | 3   |
| 25   | 506792302 | KNIFE PLATE        |            | 3   |
| 26   | 725254251 | SKRUV EHHM         |            | 3   |
| 27   | 506540701 | REMSPÄNNARE KPL    |            | 1   |
| 28   | 506519501 | SPÄNNARM KPL.      |            | 1   |
| 29   | 506532701 | REMSKIVA           |            | 1   |
| 30   | 734116441 | BRICKA             |            | 1   |
| 31   | 506558302 | SKRUV EHHFT        |            | 1   |
| 32   | 506918702 | BRICKA             |            | 1   |
| 33   | 725245171 | SKRUV EHHM         |            | 1   |
| 34   | 732211801 | LOCK NUT           |            | 1   |
| 35   | 506533101 | FJÄDER             |            | 1   |
| 36   | 589531901 | REM                |            | 1   |
| 37   | 544096201 | REMKÅPA            |            | 1   |
| 38   | 506982601 | SCREW              |            | 2   |
| 39   | 506559701 | BRICKA             |            | 2   |
| 72   | 506789701 | DEKAL              |            | 1   |
| 73   | 544238112 | DEKAL              |            | 1   |
| 74   | 506929001 | DEKAL              |            | 1   |

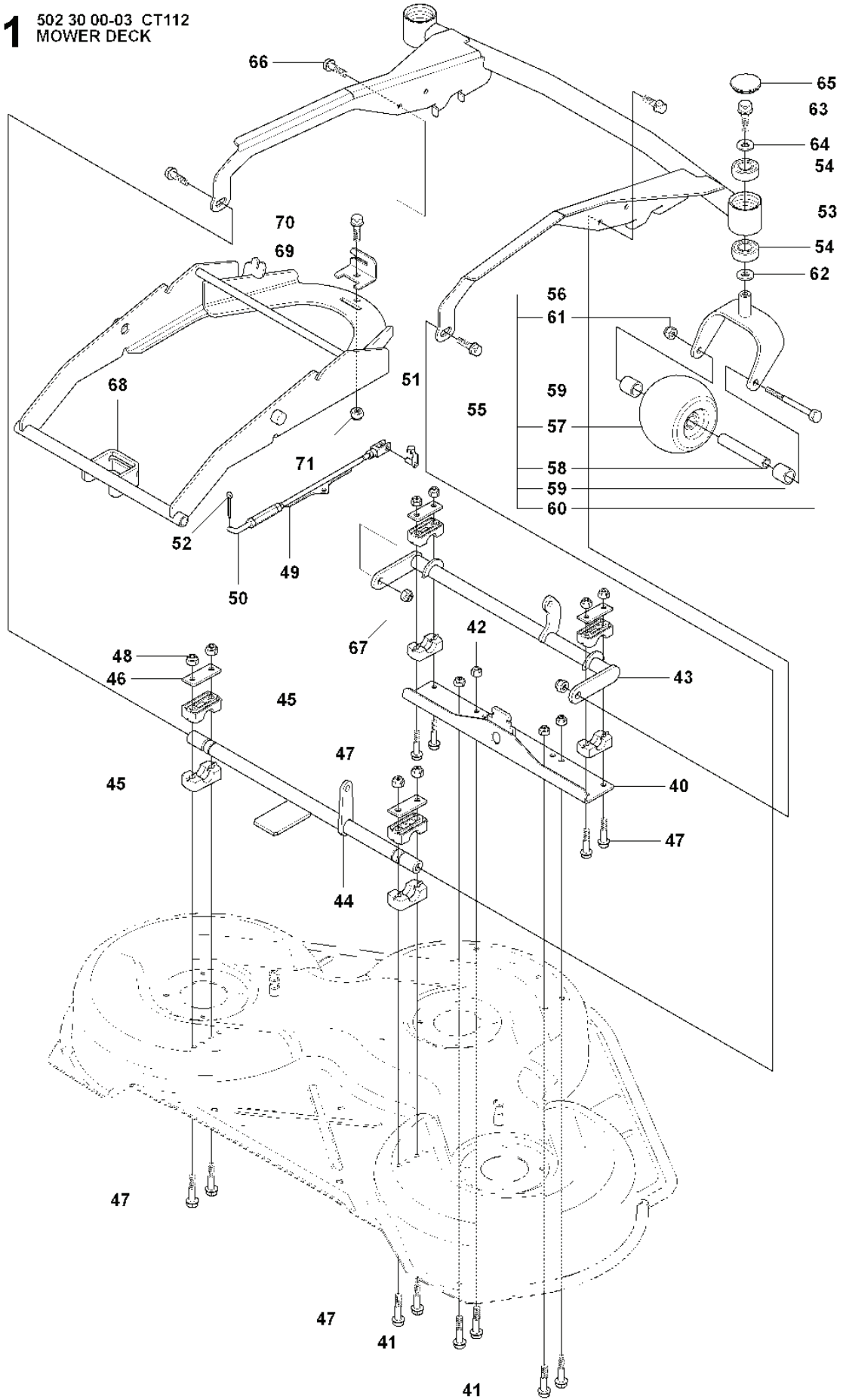
**W1** 502 30 00-04 CT122  
MOWER DECK



| REF. | ART. NR   | ARTIKELBESKRIVNING | ANMÄRKNING | KIT |
|------|-----------|--------------------|------------|-----|
| 48   | 502642102 | FÄSTE              |            | 1   |
| 49   | 725245171 | SKRUV EHHM         |            | 4   |
| 50   | 732211801 | LOCK NUT           |            | 4   |
| 51   | 502641803 | CROSS BAR          |            | 1   |
| 52   | 502641903 | CROSS BAR          |            | 1   |
| 53   | 506869601 | LAGER              |            | 8   |
| 54   | 506813801 | REINFORCING PLATE  |            | 4   |
| 55   | 725246151 | SKRUV EHHM         |            | 8   |
| 56   | 732211801 | LOCK NUT           |            | 8   |
| 57   | 504812702 | PARALLELLSTÄNG KPL |            | 1   |
| 58   | 502642301 | PARALLELLSTÄNG     |            | 1   |
| 59   | 506839803 | BULT               |            | 1   |
| 60   | 721618301 | SPLIT PIN          |            | 1   |
| 61   | 502642003 | AGGREGATBÄGE       |            | 1   |
| 62   | 738210404 | KULLAGER           |            | 4   |
| 63   | 535505901 | PIVOTHJUL          |            | 2   |
| 64   | 535504601 | GAFFEL             |            | 1   |
| 65   | 506963001 | HJUL KPL           |            | 1   |
| 66   | 506810802 | RÖR                |            | 1   |
| 67   | 506874102 | DISTANSBRICKA      |            | 2   |
| 68   | 725251951 | SKRUV EHHM         |            | 1   |
| 69   | 732212051 | MUTTER             |            | 1   |
| 70   | 506504805 | BRICKA             |            | 2   |
| 71   | 506570104 | SKRUV EHHFM        |            | 2   |
| 72   | 734116441 | BRICKA             |            | 2   |
| 73   | 544017001 | NAVKAPSEL          |            | 2   |
| 74   | 506597401 | SKRUV EHHFM        |            | 4   |
| 75   | 732211801 | LOCK NUT           |            | 2   |
| 76   | 502639502 | AGGREGATRAM        |            | 1   |
| 77   | 502642401 | LÅS                |            | 1   |
| 78   | 725245171 | SKRUV EHHM         |            | 1   |
| 79   | 732211801 | LOCK NUT           |            | 1   |



**V1** 502 30 00-03 CT112  
MOWER DECK



| REF. | ART. NR   | ARTIKELBESKRIVNING | ANMÄRKNING | KIT |
|------|-----------|--------------------|------------|-----|
| 40   | 502642102 | FÄSTE              |            | 1   |
| 41   | 725245171 | SKRUV EHHM         |            | 4   |
| 42   | 732211801 | LOCK NUT           |            | 4   |
| 43   | 502641802 | CROSS BAR          |            | 1   |
| 44   | 502641902 | CROSS BAR          |            | 1   |
| 45   | 506869601 | LAGER              |            | 8   |
| 46   | 506813801 | REINFORCING PLATE  |            | 4   |
| 47   | 725246151 | SKRUV EHHM         |            | 8   |
| 48   | 732211801 | LOCK NUT           |            | 8   |
| 49   | 504812701 | PARALLELLSTÄNG KPL |            | 1   |
| 50   | 502642301 | PARALLELLSTÄNG     |            | 1   |
| 51   | 506839803 | BULT               |            | 1   |
| 52   | 721618301 | SPLIT PIN          |            | 1   |
| 53   | 502642002 | AGGREGATBÄGE       |            | 1   |
| 54   | 738210404 | KULLAGER           |            | 4   |
| 55   | 535505901 | PIVOTHJUL          |            | 2   |
| 56   | 535504601 | GAFFEL             |            | 1   |
| 57   | 506963001 | HJUL KPL           |            | 1   |
| 58   | 506810802 | RÖR                |            | 1   |
| 59   | 506874102 | DISTANSBRICKA      |            | 2   |
| 60   | 725251951 | SKRUV EHHM         |            | 1   |
| 61   | 732212051 | MUTTER             |            | 1   |
| 62   | 506504805 | BRICKA             |            | 2   |
| 63   | 506570104 | SKRUV EHHFM        |            | 2   |
| 64   | 734116441 | BRICKA             |            | 2   |
| 65   | 544017001 | NAVKAPSEL          |            | 2   |
| 66   | 506597401 | SKRUV EHHFM        |            | 4   |
| 67   | 732211801 | LOCK NUT           |            | 2   |
| 68   | 502639501 | AGGREGATRAM        |            | 1   |
| 69   | 502642401 | LÅS                |            | 1   |
| 70   | 725245171 | SKRUV EHHM         |            | 1   |
| 71   | 732211801 | LOCK NUT           |            | 1   |



| REF. | ART. NR   | ARTIKELBESKRIVNING | ANMÄRKNING | KIT |
|------|-----------|--------------------|------------|-----|
| 1    | 504620101 | KLIPPKÅPA KPL      |            | 1   |
| 2    | 506916201 | MUTTER             |            | 3   |
| 3    | 535428301 | PLUG ASSY          |            | 1   |
| 4    | 725246051 | SKRUV EHHM         |            | 3   |
| 5    | 734116401 | BRICKA             |            | 3   |
| 6    | 535428601 | KNIVHUS KPL        |            | 1   |
| 7    | 535428901 | LAGERHUS           |            | 1   |
| 8    | 535428701 | AXEL               |            | 1   |
| 9    | 535428801 | DISTANSBRICKA      |            | 1   |
| 10   | 738220519 | KULLAGER           |            | 2   |
| 11   | 535428602 | KNIVHUS KPL        |            | 2   |
| 12   | 535428901 | LAGERHUS           |            | 1   |
| 13   | 535428702 | AXEL               |            | 1   |
| 14   | 535428801 | DISTANSBRICKA      |            | 1   |
| 15   | 738220519 | KULLAGER           |            | 2   |
| 16   | 535423801 | SKRUV RSQM         |            | 12  |
| 17   | 734116401 | BRICKA             |            | 12  |
| 18   | 732211801 | LOCK NUT           |            | 12  |
| 19   | 535429001 | REMSKIVA           |            | 4   |
| 20   | 506533501 | PLATTKIL           |            | 7   |
| 21   | 535428801 | DISTANSBRICKA      |            | 1   |
| 22   | 535429201 | BRICKA             |            | 3   |
| 23   | 725254251 | SKRUV EHHM         |            | 3   |
| 24   | 535504201 | ADAPTER            |            | 3   |
| 25   | 535429410 | KNIV               |            | 3   |
| 26   | 506792302 | KNIFE PLATE        |            | 3   |
| 27   | 725254251 | SKRUV EHHM         |            | 3   |
| 28   | 506540701 | REMSPÄNNARE KPL    |            | 1   |
| 29   | 506519501 | SPÄNNARM KPL       |            | 1   |
| 30   | 506532701 | REMSKIVA           |            | 1   |
| 31   | 734116441 | BRICKA             |            | 1   |
| 32   | 506558302 | SKRUV EHHFT        |            | 1   |
| 33   | 506918702 | BRICKA             |            | 1   |
| 34   | 725245171 | SKRUV EHHM         |            | 1   |
| 35   | 732211801 | LOCK NUT           |            | 1   |
| 36   | 506533101 | FJÄDER             |            | 1   |
| 37   | 589533001 | REM                |            | 1   |
| 38   | 535429601 | REMKÅPA            |            | 1   |
| 39   | 506982601 | SCREW              |            | 2   |
| 40   | 506559701 | BRICKA             |            | 2   |
| 41   | 505441601 | HJUL               |            | 2   |
| 42   | 505450301 | RÖR                |            | 2   |
| 43   | 725250271 | SKRUV EHHM         |            | 2   |
| 44   | 732212001 | LOCK NUT           |            | 2   |
| 45   | 544185401 | RULLE              |            | 1   |
| 46   | 544221001 | SKRUV EHHM         |            | 1   |
| 47   | 732212201 | MUTTER             |            | 1   |
| 80   | 506789701 | DEKAL              |            | 1   |
| 81   | 544238113 | DEKAL              |            | 1   |
| 82   | 506929001 | DEKAL              |            | 1   |

# K664GA

**Spare parts**

**Ersatzteile**

**Pièces détachées**

**Reserve onderdelen**

**Repuestos**

**Reservdelar**

ACTUAL PARTS  
 MAY NOT APPEAR  
 AS SHOWN

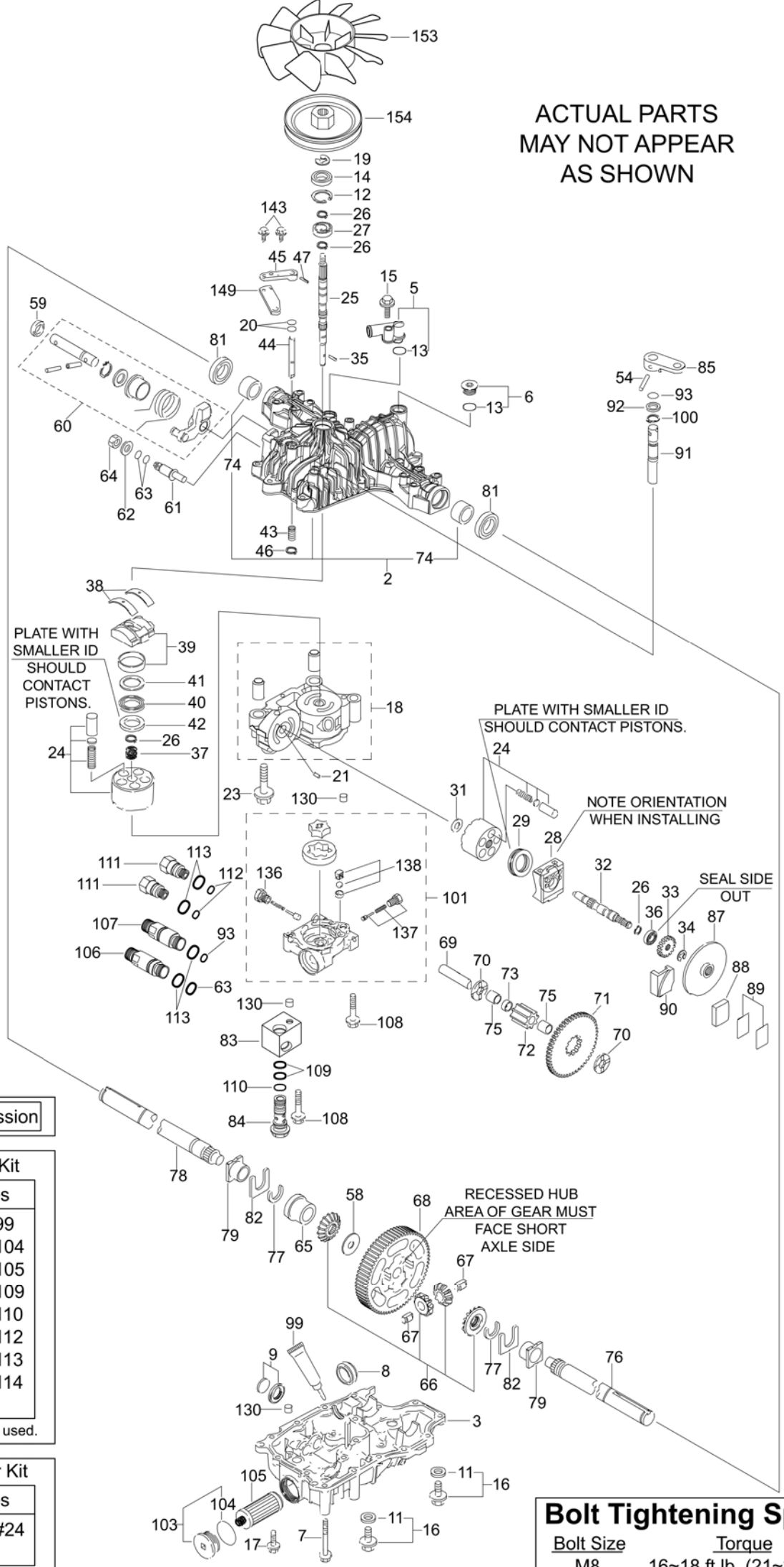


PLATE WITH SMALLER ID SHOULD CONTACT PISTONS.

PLATE WITH SMALLER ID SHOULD CONTACT PISTONS.

NOTE ORIENTATION WHEN INSTALLING

SEAL SIDE OUT

RECESSED HUB AREA OF GEAR MUST FACE SHORT AXLE SIDE

- 1- K664GA Transmission
- 200- K664GA Seal Kit
 

| Kit Includes |      |
|--------------|------|
| #8           | #99  |
| #11          | #104 |
| #13          | #105 |
| #14          | #109 |
| #20          | #110 |
| #59          | #112 |
| #63          | #113 |
| #81          | #114 |
| #93          |      |

All parts may not be used.
- 201- K664GA Repair Kit
 

| Kit Includes    |         |
|-----------------|---------|
| #18             | (2) #24 |
| #200 - Seal Kit |         |

All parts may not be used.

**Bolt Tightening Specs.**

| Bolt Size | Torque                   |
|-----------|--------------------------|
| M8        | 16~18 ft.lb. (21~24 N.m) |
| M10       | 33~47 ft.lb. (45~64 N.m) |

**(K664GA-HUSQVARNA / 787Q0584560)**

**HUSQVARNA AB (52333)**

| <b>ID Number</b> | <b>Service Part</b> | <b>Part Description</b> | <b>TTC Part No.</b> |
|------------------|---------------------|-------------------------|---------------------|
| 1                |                     | K664GA TRANSAXLE        | 787Q0584560         |
| 2                | 523 07 44-01        | UPPER CASE KIT          | 1A632024121         |
| 3                | 574 51 44-01        | LOWER CASE              | 187Q0524190         |
| 5                | 574 51 46-01        | FITTING KIT             | 1A632084740         |
| 6                | 574 51 47-01        | OIL CAP KIT             | 187Q0599040         |
| 7                | 535 41 46-83        | CAP SCREW 8 * 75        | 19215424310         |
| 8                | 535 41 46-23        | FILTER                  | 1A632024320         |
| 9                | 535 41 46-94        | MAGNET CMP              | 19216324350         |
| 11               | 535 40 28-25        | WASHER SEAL 10          | 22190100000         |
| 12               | 535 40 28-50        | SNAP RING C 35          | 22252000350         |
| 13               | 535 40 28-22        | O-RING P18              | 24311000180         |
| 14               | 506 95 72-01        | SEAL TC 153507          | 24421153507         |
| 15               | 502 46 28-01        | BOLT 8 * 35             | 26106080352         |
| 16               | 523 07 47-01        | DRAIN BOLT KIT          | 1A632099320         |
| 17               | 535 40 28-28        | TAPPING SCREW 8 * 30    | 26476080302         |
| 18               | 574 51 48-01        | CENTER CASE AD          | 187Q0524950         |
| 19               | 535 40 28-07        | E-RING 15               | 19215485310         |
| 20               | 535 40 28-15        | O-RING 1A P10A          | 24311240100         |
| 21               | 535 40 28-58        | PIN 3 * 9.8             | 19216824760         |
| 23               | 535 41 47-09        | BOLT 10 * 65            | 26106100652         |
| 24               | 505 34 86-01        | CYLINDER BLOCK KIT      | 1A632025500         |
| 25               | 523 07 49-01        | PUMP SHAFT              | 1A632025301         |
| 26               | 535 40 28-81        | SNAP RING S15           | 19215425310         |
| 27               | 535 40 28-71        | BEARING 6202C3          | 24101062020         |
| 28               | 535 41 46-22        | MOTOR HOUSING           | 1A632024210         |
| 29               | 502 44 92-01        | BEARING THS060513       | 1A632024240         |
| 31               | 535 40 28-79        | WASHER 12 * 24 * 1      | 19216825230         |
| 32               | 535 41 46-28        | MOTOR SHAFT             | 1A632025270         |
| 33               | 535 41 46-67        | MOTOR GEAR 14T          | 1A632085400         |
| 34               | 535 41 46-29        | E-RING                  | 1A632025350         |
| 35               | 535 41 46-92        | PIN 3 * 13.8            | 19215488330         |
| 36               | 535 41 47-04        | BEARING 6302DUC3        | 24102063020         |
| 37               | 535 41 46-85        | PUMP SPRING             | 19215425200         |
| 38               | 574 51 58-01        | THRUST METAL            | 17808006200         |
| 39               | 574 51 59-01        | SWASH PLATE             | 187Q0527100         |
| 40               | 574 51 60-01        | BEARING K81106          | 17808006100         |
| 41               | 577 34 21-01        | THRUST PLATE A          | 17808006110         |
| 42               | 535 41 46-89        | THRUST PLATE B          | 19215427210         |
| 43               | 502 46 01-01        | SPRING 25               | 19215427281         |
| 44               | 535 41 46-34        | BYPASS SHAFT            | 1A632029510         |
| 45               | 535 40 28-17        | BYPASS LEVER            | 1A632029520         |
| 46               | 535 40 28-49        | SNAP RING 10            | 19216829570         |
| 47               | 535 40 28-16        | SPRING PIN 3.0A * 20    | 22351030020         |
| 54               | 535 41 49-22        | ROLL PIN 6 * 40         | 22351060040         |
| 58               | 502 45 12-01        | WASHER 17 * 36 * 6.4    | 1A632096110         |
| 59               | 535 40 28-11        | SEAL TC 162606          | 19406527270         |
| 60               | 523 07 66-01        | CONTROL SHAFT KIT       | 1A632029801         |
| 61               | 535 40 28-92        | FULCRUM                 | 1A632029700         |

**(K664GA-HUSQVARNA / 787Q0584560)**

**HUSQVARNA AB (52333)**

| <b>ID Number</b> | <b>Service Part</b> | <b>Part Description</b> | <b>TTC Part No.</b> |
|------------------|---------------------|-------------------------|---------------------|
| 62               | 535 40 28-13        | WASHER 12               | 22137120000         |
| 63               | 535 40 28-14        | O-RING 1A P14           | 24311000140         |
| 64               | 506 95 66-01        | NUT 12                  | 26776120002         |
| 65               | 535 41 46-44        | COLLAR 25.4             | 1A632034270         |
| 66               | 502 44 98-01        | DIFFERENTIAL GEAR KIT   | 1A632081520         |
| 67               | 535 41 46-56        | DIFFERENTIAL PINION PIN | 1A632081810         |
| 68               | 523 07 68-01        | FINAL GEAR              | 1A632099060         |
| 69               | 535 41 46-39        | FINAL SHAFT P           | 1A632033410         |
| 70               | 535 41 46-40        | WASHER 15 * 35 * 3.2    | 1A632033420         |
| 71               | 535 41 46-59        | REDUCTION GEAR 51T      | 1A632083470         |
| 72               | 535 41 46-62        | FINAL PINION GEAR 11T   | 1A632083550         |
| 73               | 535 41 46-58        | COLLAR                  | 1A632083430         |
| 74               | 535 41 46-90        | BUSHING 25.4            | 19215434240         |
| 75               | 535 41 46-57        | NEEDLE BEARING 151814   | 1A632083420         |
| 76               | 577 34 37-01        | AXLE SHAFT LEFT         | 187Q0534120         |
| 77               | 535 41 46-96        | RETAINING RING 23       | 19216734160         |
| 78               | 577 34 39-01        | ALE SHAFT RIGHT         | 187Q0534110         |
| 79               | 535 41 46-97        | BUSHING 25.4            | 19216734240         |
| 81               | 535 40 28-10        | SEAL S 25.4 * 42 * 8    | 19215434270         |
| 82               | 535 41 46-45        | THRUST WASHER           | 1A632034290         |
| 83               | 577 34 40-01        | PIPING BLOCK            | 187Q0524721         |
| 84               | 577 34 41-01        | CONNECTOR               | 187Q0524710         |
| 85               | 535 40 28-08        | BRAKE LEVER             | 1A632089870         |
| 86               | 574 51 50-01        | BRAKE RETURN SPRING     | 1A632089900         |
| 87               | 535 41 46-46        | BRAKE DISC              | 1A632036110         |
| 88               | 535 41 46-47        | BRAKE SHOE              | 1A632036120         |
| 89               | 502 44 95-01        | SHIM KIT                | 1A632036170         |
| 90               | 535 41 46-52        | BRAKE ACTUATOR          | 1A632036201         |
| 91               | 535 41 46-50        | BRAKE SHAFT             | 1A632036160         |
| 92               | 535 41 46-51        | WASHER 16 * 23 * 1.6    | 1A632036190         |
| 93               | 535 41 46-19        | O-RING 1A P12           | 24311000120         |
| 99               | 505 34 87-01        | SEALANT                 | 1A646099500         |
| 100              | 535 41 47-02        | SNAP RING               | 22242000160         |
| 101              | 535 46 65-01        | PUMP CASE KIT           | 1A632096150         |
| 103              | 574 51 51-01        | CAP KIT                 | 1A637094450         |
| 104              | 574 51 52-01        | O-RING 1A 2040          | 24351240400         |
| 104              | 574 51 52-01        | O-RING 1A 24040         | 24351240400         |
| 105              | 535 40 28-19        | FILTER                  | 1A632026450         |
| 106              | 574 51 53-01        | PIPING A 3/8            | 187Q0524740         |
| 107              | 574 51 54-01        | PIPING B 3/8            | 187Q0524750         |
| 108              | 535 41 47-06        | BOLT 8 * 45             | 26106080452         |
| 109              | 574 51 55-01        | PACKING P12A            | 24315000120         |
| 110              | 574 51 56-01        | PACKING P16A            | 24315000160         |
| 111              | 577 34 43-01        | CONNECTOR               | 187Q0526430         |
| 112              | 535 46 65-03        | O-RING 6.1              | 19485049290         |
| 113              | 502 46 20-01        | O-RING 1A P16           | 24311000160         |
| 130              | 535 41 49-05        | ALIGNMENT SLEEVE 11 * 7 | 19452141570         |
| 136              | 502 46 06-01        | CHARGE RELIEF VALVE     | 19216726300         |



**(K664GA-HUSQVARNA / 787Q0584560)**

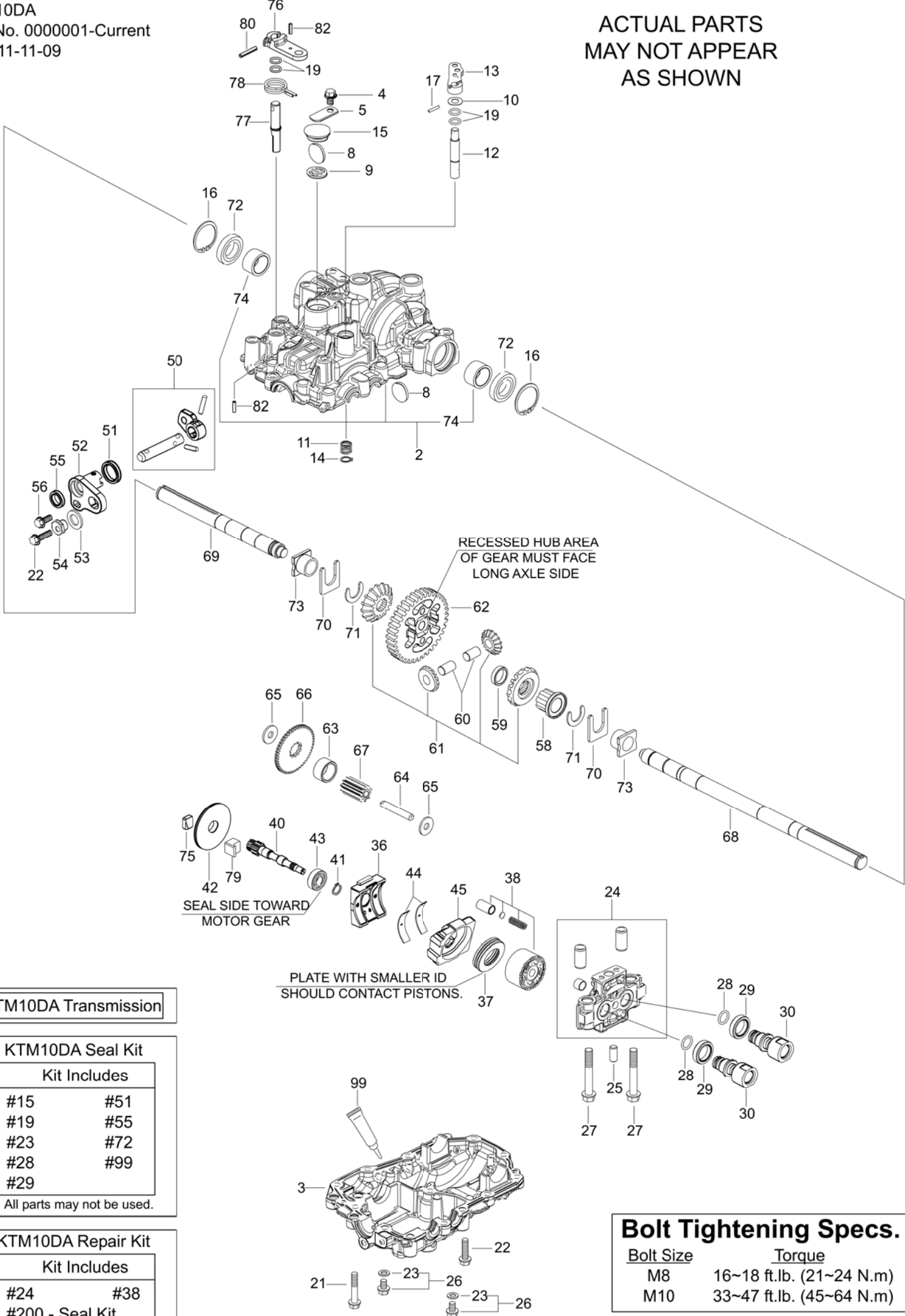
**HUSQVARNA AB (52333)**

| <b>ID Number</b> | <b>Service Part</b> | <b>Part Description</b> | <b>TTC Part No.</b> |
|------------------|---------------------|-------------------------|---------------------|
| 137              | 535 46 65-05        | IMPLEMENT RELIEF VALVE  | 19216726250         |
| 138              | 502 45 15-01        | 3RD CHECK VALVE         | 1A637026350         |
| 143              | 535 40 28-27        | BOLT 6 * 14             | 26013060142         |
| 149              | 535 40 28-26        | BYPASS ARM              | 1A632089521         |
| 153              | 502 45 03-01        | FAN                     | 1A632085100         |
| 154              | 502 45 05-01        | INPUT SHEAVE            | 1A632085120         |
| 200              | 574 21 49-01        | SEAL KIT                | 187Q0599010         |
| 201              | 574 21 78-01        | REPAIR KIT (K664G)      | 187Q0599120         |

# Transmission KTM10DA

**Spare parts**  
**Ersatzteile**  
**Pièces détachées**  
**Reserve onderdelen**  
**Repuestos**  
**Reservdelar**

ACTUAL PARTS  
 MAY NOT APPEAR  
 AS SHOWN



1- KTM10DA Transmission

**KTM10DA Seal Kit**

Kit Includes

|     |     |
|-----|-----|
| #15 | #51 |
| #19 | #55 |
| #23 | #72 |
| #28 | #99 |
| #29 |     |

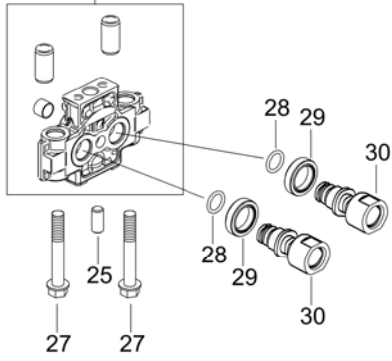
All parts may not be used.

**KTM10DA Repair Kit**

Kit Includes

|                 |     |
|-----------------|-----|
| #24             | #38 |
| #200 - Seal Kit |     |

All parts may not be used.



**Bolt Tightening Specs.**

| Bolt Size | Torque                   |
|-----------|--------------------------|
| M8        | 16~18 ft.lb. (21~24 N.m) |
| M10       | 33~47 ft.lb. (45~64 N.m) |

**(KTM10DA-HUSQVARNA / 787K0024080 & 81)**

**HUSQVARNA AB (52333)**

| <b>ID Number</b> | <b>TTC Part No.</b> | <b>Part Description</b> | <b>Service Part</b>       |
|------------------|---------------------|-------------------------|---------------------------|
| 1                | 787K0024081         | KTM10DA TRANSAXLE       |                           |
| 2                | 187K0024280         | UPEER HOUSING ASY.      |                           |
| 3                | 187K0024171         | LOWER CASE              | 502 45 56-01              |
| 4                | 26106080122         | BOLT 8 * 12             | 535 40 28-52;535 41 47-43 |
| 5                | 187K0024380         | PLATE                   | 502 45 58-01              |
| 8                | 19216324360         | MAGNET 28 * 3.5         | 535 40 28-29              |
| 9                | 1A646029000         | MAGNET HOLDER           | 502 45 20-01              |
| 10               | 19843575630         | WASHER 10.5*20*1        | 502 46 08-01              |
| 11               | 187K0024780         | BYPASS SPRING           | 502 45 62-01              |
| 12               | 187K0024760         | BYPASS SHAFT            |                           |
| 13               | 1A632029520         | BYPASS LEVER            | 535 40 28-17              |
| 14               | 22242000120         | SNAP RING 12            | 502 46 12-01              |
| 15               | 1C655036300         | SEALING CAP 30          | 535 40 28-32              |
| 16               | 22252000420         | SNAP RING 42            | 502 46 15-01              |
| 17               | 22351030020         | SPRING PIN 3.0A * 20    | 535 40 28-16              |
| 19               | 24311000120         | O-RING 1A P12           | 535 41 46-19              |
| 21               | 26106080452         | BOLT 8 * 45             | 535 41 47-06              |
| 22               | 26106080302         | TAPPING BOLT 8 * 30     |                           |
| 23               | 22190080000         | SEAL WASHER 8           | 506 95 75-01              |
| 24               | 187K0024561         | CENTERCASE D            | 502 45 59-01              |
| 25               | 22312100200         | DOWEL PIN 10 * 20       | 502 46 16-01              |
| 26               | 187Q0399940         | DRAIN BOLT KIT          | 577 32 58-01              |
| 27               | 26106100702         | BOLT 10 * 70            |                           |
| 28               | 24315000140         | O-RING P14.0            | 502 46 21-01              |
| 29               | 24421203007         | SEAL TC203007           | 502 46 24-01              |
| 30               | 187K0024930         | CONNECTOR G1/2          |                           |
| 36               | 187K0024821         | THRUST METAL RETAINER   | 502 45 64-01              |
| 37               | 1A632024240         | BEARING THS060513       | 502 44 92-01              |
| 38               | 168H3029550         | CYLINDER BLOCK CMP      | 502 45 37-01              |
| 40               | 187K0025362         | MOTOR SHAFT/ GEAR D(9T) | 502 45 69-01              |
| 41               | 19215425310         | SNAP RING S15           | 535 40 28-81              |

|     |             |                         |                           |
|-----|-------------|-------------------------|---------------------------|
| 42  | 187K0036340 | BRAKE DISK D            |                           |
| 43  | 168T2025280 | BEARING 6202 RSR C3     | 535 40 28-83              |
| 44  | 19215427051 | THRUST METAL            | 535 41 46-86              |
| 45  | 187K0024700 | SWASH PLATE             | 502 45 60-01              |
| 50  | 187K0029650 | CONTROL SHAFT ASSY      | 502 45 74-01              |
| 51  | 24421253506 | SEAL TC253506           | 502 46 26-01              |
| 52  | 187K0029710 | CONTROL BUSHING         | 502 45 76-01              |
| 53  | 22137160000 | WASHER 16               | 502 46 10-01              |
| 54  | 187K0029700 | AJUSTER BUSHING         | 502 45 75-01              |
| 55  | 19406527270 | SEAL TC 162606          | 535 40 28-11              |
| 56  | 26106080202 | BOLT 8 * 20             | 535 41 47-05              |
| 58  | 1A632034280 | COLLAR 25.4             |                           |
| 59  | 187K0034310 | AXLE COLLAR             |                           |
| 60  | 1A632031810 | DIFFERENTIAL PINION PIN | 535 41 46-38              |
| 61  | 1A632031501 | DIFFERENTIAL GEAR KIT   | 502 44 94-01              |
| 62  | 187K0033640 | FINAL GEAR (54T)        | 502 45 83-01              |
| 63  | 187K0033260 | FINAL PINION COLLAR     |                           |
| 64  | 1A646033410 | REDUCTION SHAFT         | 535 41 46-06              |
| 65  | 19216833420 | WASHER 12 * 32 * 3.2    | 502 46 07-01              |
| 66  | 187K0033481 | REDUCTION GEAR D (40T)  | 502 45 80-01              |
| 67  | 1A646033531 | FINAL PINION GEAR (10T) | 502 45 27-01              |
| 68  | 187K0034350 | AXLE SHAFT              |                           |
| 69  | 187K0034360 | AXLE SHAFT              |                           |
| 70  | 1A632034290 | THRUST WASHER           | 535 41 46-45              |
| 71  | 19216734160 | RETAINING RING 23       | 535 41 46-96              |
| 72  | 19215434270 | SEAL S 25.4 * 42 * 8    | 535 40 28-10              |
| 73  | 19216734240 | BUSHING 25.4            | 535 41 46-97              |
| 74  | 187K0034500 | BUSHING 25.             |                           |
| 75  | 1A646036121 | BRAKE SHOE              | 535 41 46-16              |
| 76  | 1A646036160 | BRAKE LEVER             | 535 40 28-38              |
| 77  | 1A646036171 | BRAKE SHAFT             | 535 41 46-17              |
| 78  | 1A646036180 | BRAKE RETURN SPRING     | 502 45 28-01              |
| 79  | 1A646036200 | BRAKE ACTUATOR          | 535 41 46-18              |
| 80  | 22351050032 | SPRING PIN 5 * 32       | 535 40 28-40              |
| 82  | 22351040016 | SPRING PIN 4 * 16       | 535 40 28-41              |
| 99  | 1A646099500 | SEALANT                 | 502 45 34-01;505 34 87-01 |
| 200 | 187K0099000 | SEAL KIT                | 502 45 97-01              |