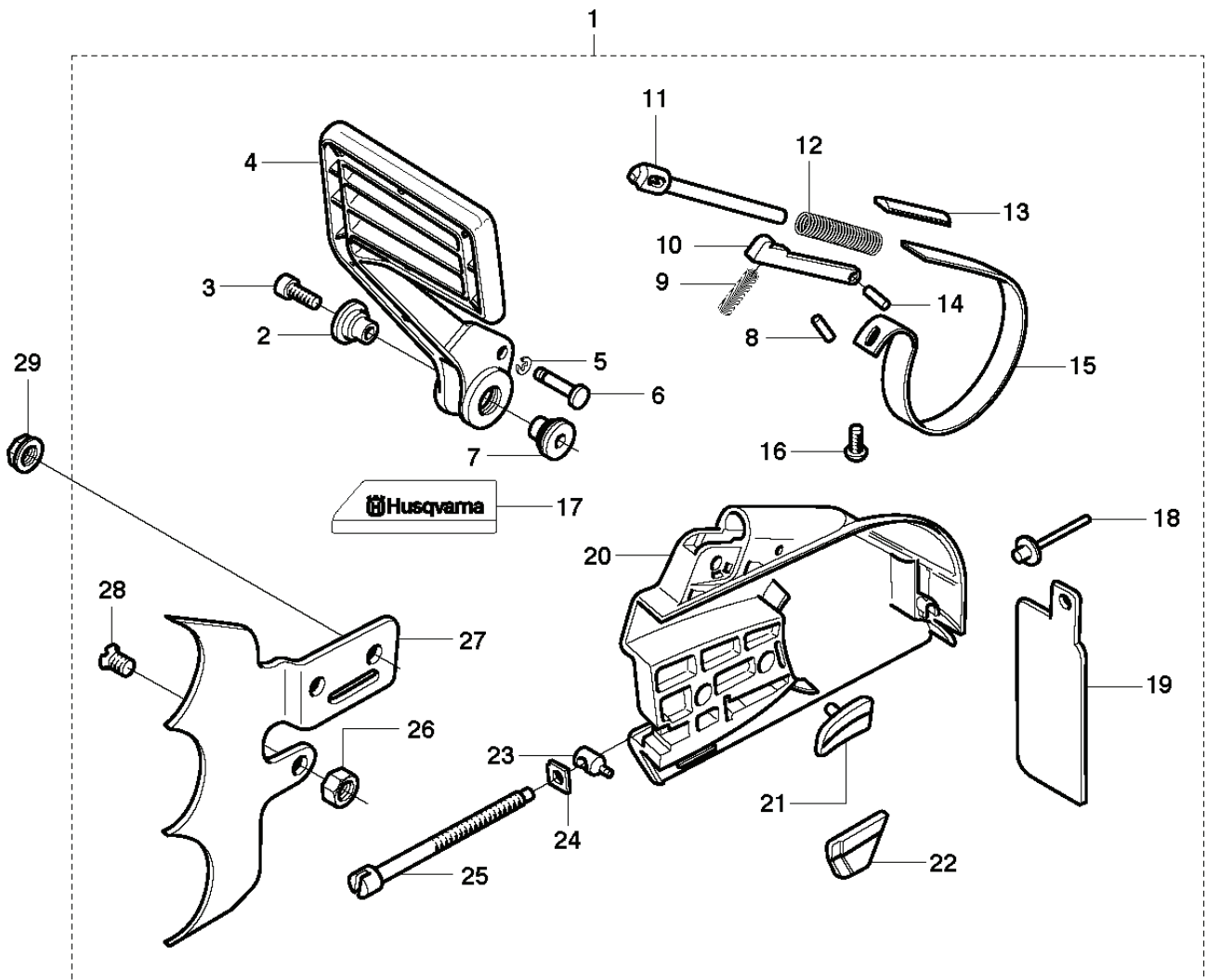


RESERVDELSKATALOG
: HUSQVARNA 3120 XP®

Reservdelslista

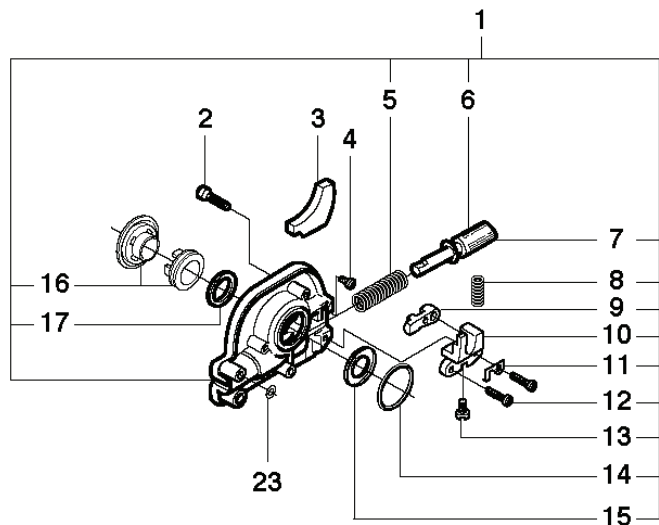
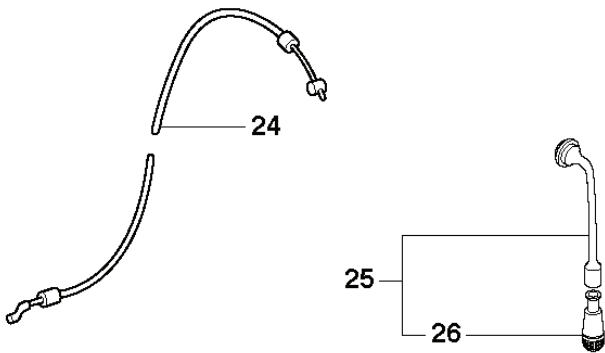
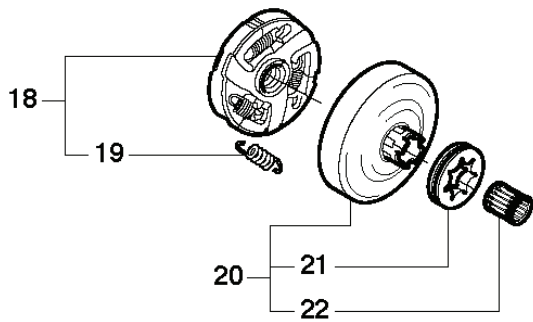
RESERVDELSLISTA

A 3120
CHAIN BRAKE & CLUTCH COVER



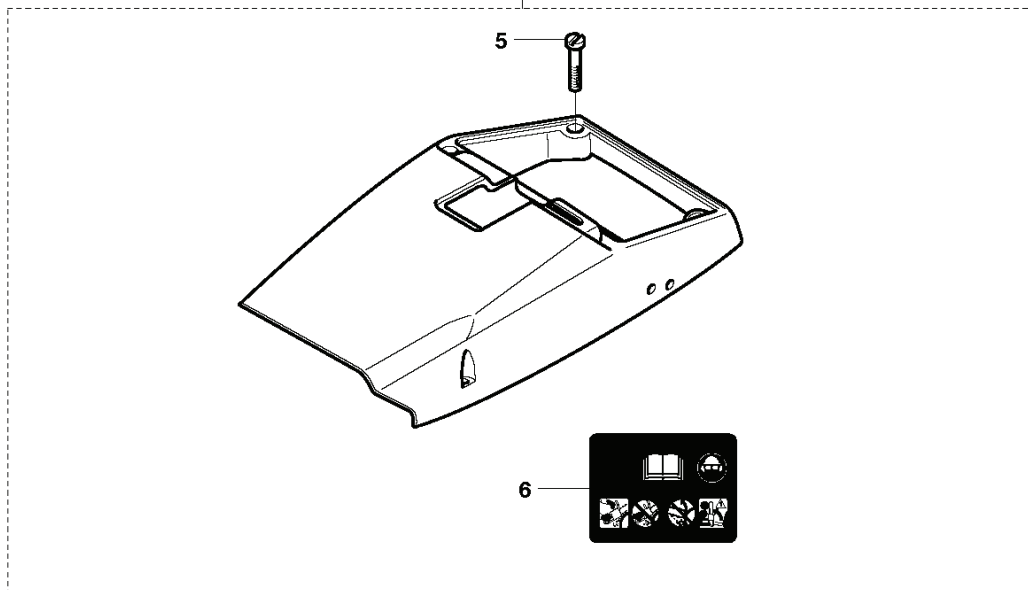
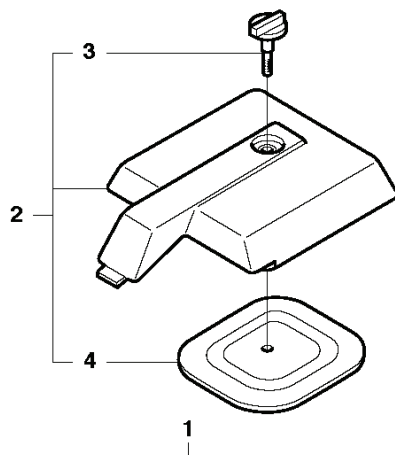
| REF. | ART. NR | ARTIKELBESKRIVNING | ANMÄRKNING | KIT |
|------|-----------|--------------------|------------|-----|
| 1 | 503135503 | KOPPLINGSKÅPA KPL | | 1 |
| 2 | 503520801 | AXEL | | 1 |
| 3 | 503202620 | SKRUV IHSCM | | 1 |
| 4 | 503136703 | KASTSKYDD | | 1 |
| 5 | 735310820 | SPÄRRYTARE | | 1 |
| 6 | 503802701 | LEDTAPP | | 1 |
| 7 | 501768001 | AXEL | | 1 |
| 8 | 721425650 | SPÄNNSTIFT | | 1 |
| 9 | 501480901 | LÅSFJÄDER | | 1 |
| 10 | 503136901 | SPÄRRHAKE | | 1 |
| 11 | 503136801 | DRAGSTÅNG | | 1 |
| 12 | 503137901 | BROMSFJÄDER | | 1 |
| 13 | 503138001 | STYRNING | | 1 |
| 14 | 721425250 | SPÄNNSTIFT | | 1 |
| 15 | 503137802 | BROMSBAND | | 1 |
| 16 | 503214213 | SCREW CCRPANT | | 1 |
| 17 | 503624201 | DEKAL | | 1 |
| 18 | 722782902 | BLIND RIVET | | 1 |
| 19 | 503138101 | SPÅNSPRUTSKYDD | | 1 |
| 20 | 503135601 | KOPPLINGSKÅPA | | 1 |
| 21 | 503141201 | KEDJESTYRARE | | 1 |
| 22 | 503141301 | KEDJESTYRARE | | 1 |
| 23 | 505267650 | MEDBRINGARHAKE | | 1 |
| 24 | 501248101 | LOCK NUT | | 1 |
| 25 | 503135701 | SCREW | | 1 |
| 26 | 503222402 | LOCK NUT | | 1 |
| 27 | 503140401 | BARKSTÖD | | 1 |
| 28 | 725636756 | SKRUV IHCSFM | | 1 |
| 29 | 503220001 | MUTTER (HEXAGON) | | 2 |

B 3120
CLUTCH & OIL PUMP



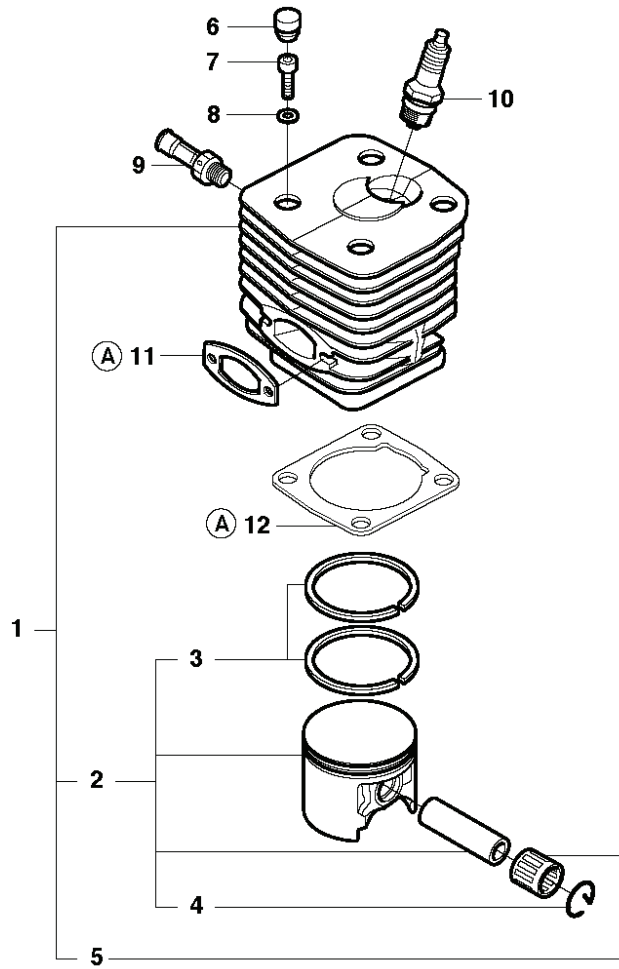
| REF. | ART. NR | ARTIKELBESKRIVNING | ANMÄRKNING | KIT |
|------|-----------|---------------------|------------|-----|
| 1 | 501897071 | OLJEPUMP KPL | | 1 |
| 2 | 725529556 | SKRUV IHSCM | | 3 |
| 3 | 503139901 | TÄTNING | | 1 |
| 4 | 723228485 | SKRUV SLPANM | | 1 |
| 5 | 501897801 | RETURFJÄDER | | 1 |
| 6 | 503230045 | BRICKA | | 2 |
| 7 | 503138401 | PUMPKOLV | | 1 |
| 8 | 501893702 | FJÄDER | | 1 |
| 9 | 503133701 | HÄVARM | | 1 |
| 10 | 501897501 | FÄSTE | | 1 |
| 11 | 501893601 | LÅSFJÄDER | | 1 |
| 12 | 723129151 | SKRUV SLCHM | | 2 |
| 13 | 501897601 | JUSTERSKRUV | | 1 |
| 14 | 740422200 | O-RING | | 1 |
| 15 | 503260205 | SEALING RING | | 1 |
| 16 | 503896201 | KUGGHJUL KPL | | 1 |
| 17 | 503230058 | BRICKA | | 1 |
| 18 | 503144901 | KOPPLING KPL | | 1 |
| 19 | 503145101 | KOPPLINGSFJÄDER | | 3 |
| 20 | 503143204 | KOPPLINGSTRUMMA KPL | .404x7 | 1 |
| 21 | 501597902 | RINGDREV | | 1 |
| 22 | 503253001 | NÅLLAGER | | 1 |
| 23 | 740430100 | O-RING | | 1 |
| 24 | 501898702 | KABLAGE KPL | | 1 |
| 25 | 501893301 | OLJESLANG | | 1 |
| 26 | 501544102 | OLJESIL | | 1 |

C 3120
CYLINDER COVER



| REF. | ART. NR | ARTIKELBESKRIVNING | ANMÄRKNING | KIT |
|------|-----------|--------------------|------------|-----|
| 1 | 501894402 | CYLINDERKÅPA KPL | | 1 |
| 2 | 501894702 | FILTERKÅPA KPL | | 1 |
| 3 | 501899603 | KNOPP | | 1 |
| 4 | 503140901 | FILTERLOCK | | 1 |
| 5 | 503203228 | SCREW | | 4 |
| 6 | 503987401 | DEKAL | | 1 |

D 3120
CYLINDER PISTON

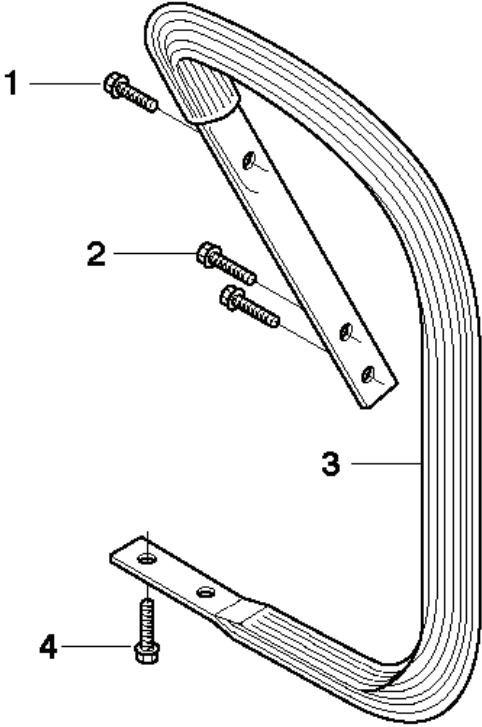


13

Ⓐ 503 14 25-01
Set of gaskets

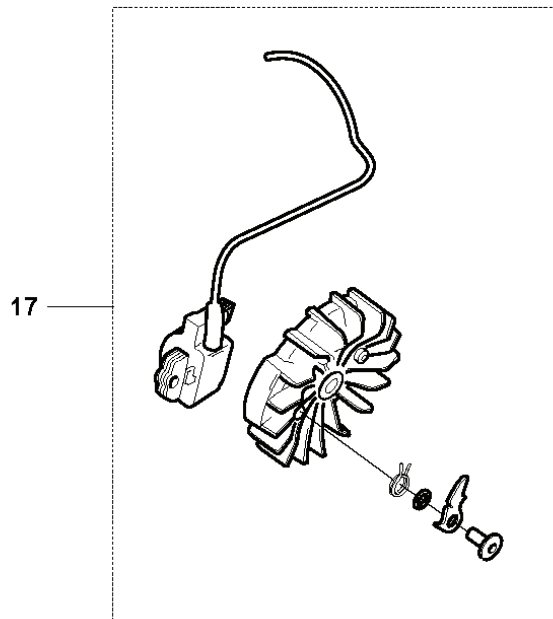
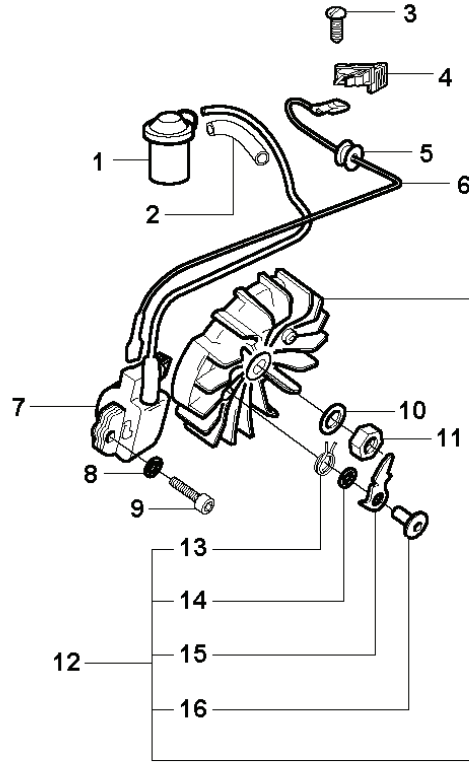
| REF. | ART. NR | ARTIKELBESKRIVNING | ANMÄRKNING | KIT |
|------|-----------|----------------------|----------------|-----|
| 1 | 576270003 | CYLINDER KPL | | 1 |
| 2 | 501894103 | KOLV KPL | | 1 |
| 3 | 503289026 | KOLVRING | | 2 |
| 4 | 737441300 | SPÄRRING | | 2 |
| 5 | 503132901 | NÅLHÅLLARE | | 1 |
| 6 | 501515401 | STÖD | | 1 |
| 7 | 503216025 | SCREW | | 4 |
| 8 | 503230005 | BRICKA | | 4 |
| 9 | 503665601 | DEKOMPRESSIONSVENTIL | | 1 |
| 10 | 503235108 | TÄNDSTIFT | RCJ 7Y | 1 |
| 11 | 503131301 | PACKNING | | 1 |
| 12 | 503134601 | PACKNING | | 1 |
| 13 | 503142501 | PACKNINGSSATS | Set of gaskets | 1 |

K 3120
HANDLE



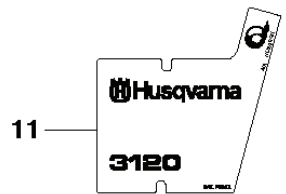
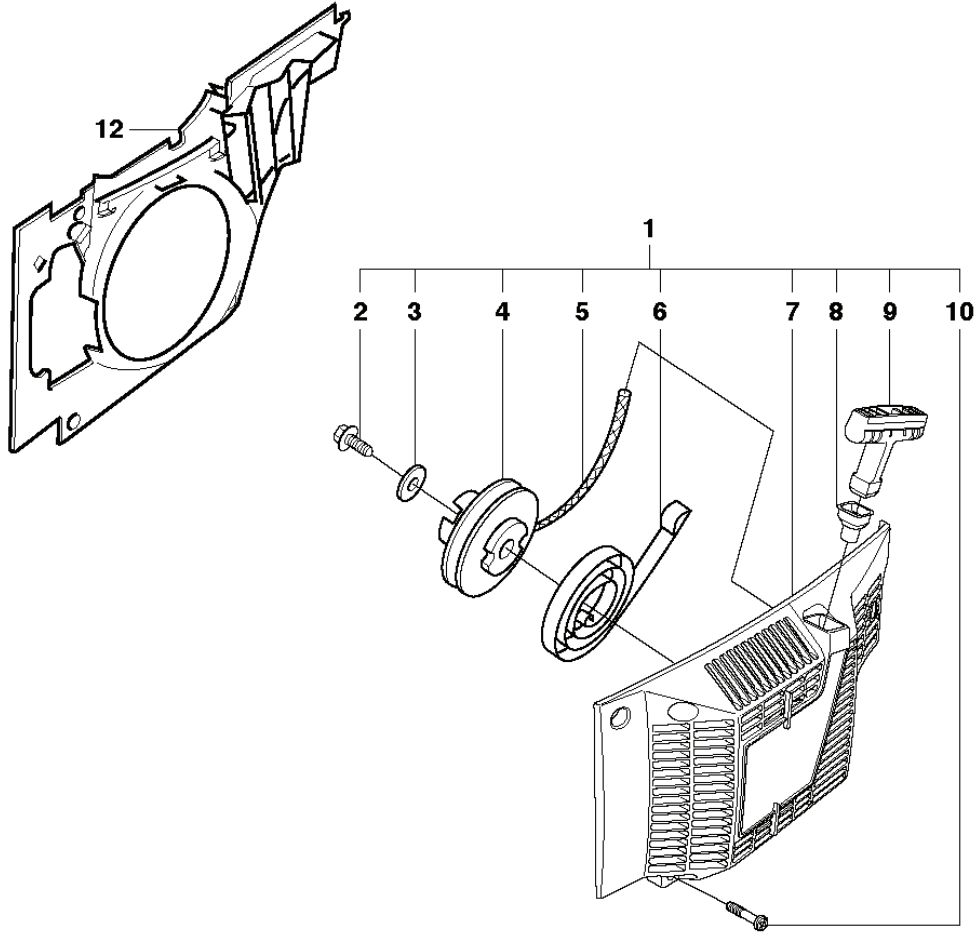
| REF. | ART. NR | ARTIKELBESKRIVNING | ANMÄRKNING | KIT |
|------|-----------|--------------------|------------|-----|
| 1 | 503200770 | SKRUV IHSCFM | | 1 |
| 2 | 503210522 | SKRUV IHST | | 2 |
| 3 | 501893402 | HANDTAG FRÄMRE KPL | | 1 |
| 4 | 725537101 | SCREW | | 2 |

L 3120
IGNITION SYSTEM



| REF. | ART. NR | ARTIKELBESKRIVNING | ANMÄRKNING | KIT |
|------|-----------|--------------------|--|-----|
| 1 | 501485402 | TÄNDSTIFTSSKYDD | | 1 |
| 2 | 501527406 | GUMMISLANG | | 1 |
| 3 | 723228485 | SKRUV SLPANM | | 1 |
| 4 | 503717901 | STOPPKONTAKT | | 1 |
| 5 | 503132401 | KABELGENOMFÖRING | | 1 |
| 6 | 501839803 | KABEL | | 1 |
| 7 | 587329401 | TÄNDMODUL | (cut-out 9800 rpm) | 1 |
| 8 | 503230001 | BRICKA | | 2 |
| 9 | 503202520 | SKRUV IHSCM | | 2 |
| 10 | 735117350 | FJÄDERBRICKA | | 1 |
| 11 | 503221003 | MUTTER (HEXAGON) | | 1 |
| 12 | 522892001 | SVÄNGHJUL KPL | Up to s/n 20172700017 (cut-out 11000 rpm) | 1 |
| 12 | 522892002 | SVÄNGHJUL KPL | (cut-out 9800 rpm) | 1 |
| 13 | 501673501 | FJÄDER | | 2 |
| 14 | 503230042 | BRICKA | | 2 |
| 15 | 501673201 | MEDBRINGARHAKE | | 2 |
| 16 | 501819901 | SCREW | | 2 |
| 17 | 595312601 | TÄNDMODUL KPL | Replaces 503 13 85-01 s/n up to 20172700017 (cut-out 9800 rpm) | 1 |

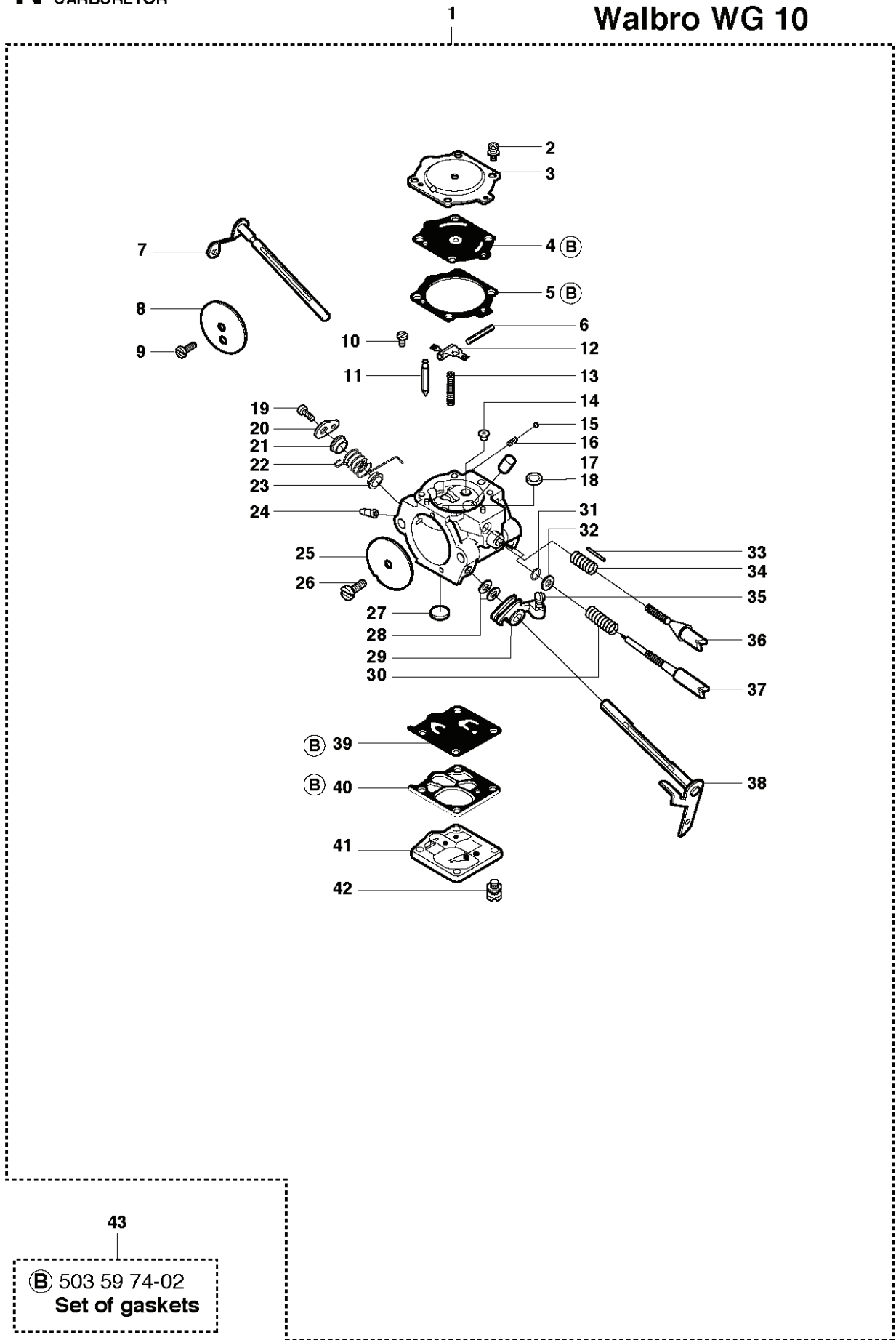
M 3120
STARTER



| REF. | ART. NR | ARTIKELBESKRIVNING | ANMÄRKNING | KIT |
|------|-----------|--------------------|------------|-----|
| 1 | 501896502 | STARTAPPARAT KPL | | 1 |
| 2 | 503214972 | SKRUV IHSCFT | | 1 |
| 3 | 503234302 | BRICKA | | 1 |
| 4 | 501896701 | LINHJUL | | 1 |
| 5 | 503432903 | STARTSNÖRE | | 1 |
| 6 | 503135001 | RETURFJÄDER | | 1 |
| 7 | 501896601 | STARTAPPARATHUS | | 1 |
| 8 | 501630601 | HYLSA | | 1 |
| 9 | 503543901 | STARHANDTAG | | 1 |
| 10 | 503203425 | SKRUV CCRPANMO | | 4 |
| 11 | 537096901 | DEKAL | | 1 |
| 12 | 501895901 | LEDSKENA | | 1 |

N 3120
CARBURETOR

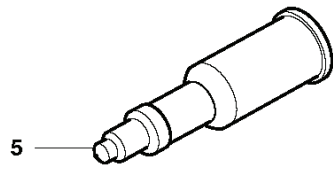
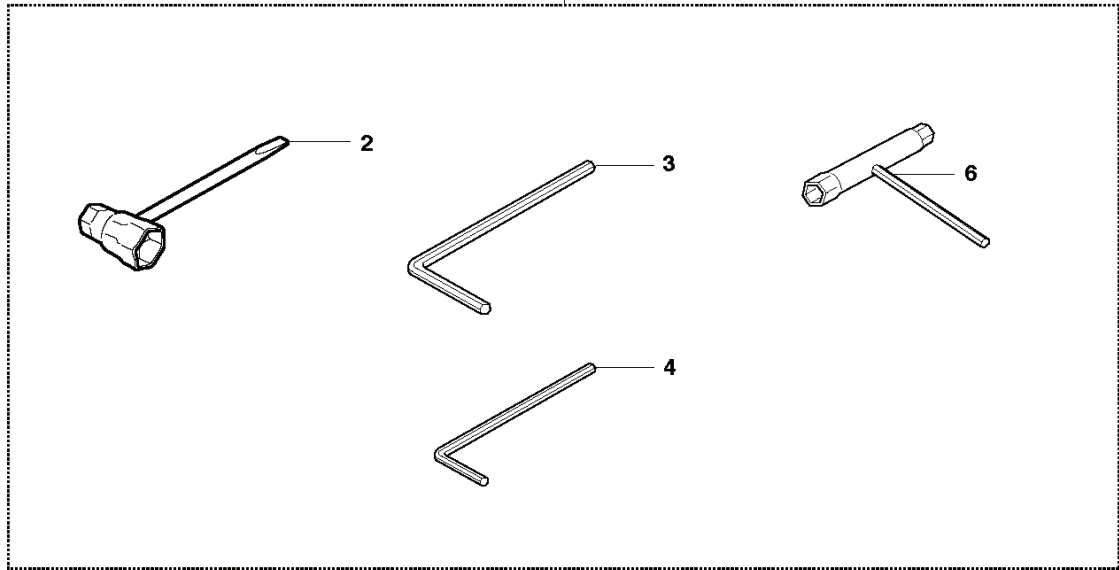
Walbro WG 7A EPA
Walbro WG 10



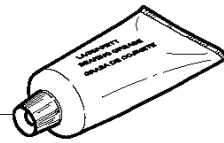
| REF. | ART. NR | ARTIKELBESKRIVNING | ANMÄRKNING | KIT |
|------|-----------|----------------------|----------------|-----|
| 1 | 503282001 | FÖRGASARE | WG10 | 1 |
| 1 | 503281216 | FÖRGASARE | WG 7A EPA | 1 |
| 2 | 503108701 | SCREW | | 4 |
| 3 | 501692801 | KÅPA | | 1 |
| 4 | 503632801 | DIAPHRAGM ASSY | | 1 |
| 5 | 501467501 | PACKNING | | 1 |
| 6 | 505316731 | TAPP | | 1 |
| 7 | 503525701 | AXEL KPL | | 1 |
| 8 | 503525801 | VALVE CHOKE | | 1 |
| 9 | 530035015 | SCREW | | 1 |
| 10 | 505316717 | SCREW | | 1 |
| 11 | 503632501 | VALVE -INLET NEEDLE | | 1 |
| 12 | 505316734 | HÄVARM | | 1 |
| 13 | 505316723 | FJÄDER | | 1 |
| 14 | 503976705 | JET | EPA | 1 |
| 14 | 537218501 | NOZZLE ASSY | | 1 |
| 15 | 501468501 | KULA | | 1 |
| 16 | 501468401 | FJÄDER | | 1 |
| 17 | 503976601 | NOZZLE ASSY | | 1 |
| 18 | 503574201 | PLUGG | | 1 |
| 19 | 501468701 | SCREW | | 1 |
| 20 | 503595601 | HÄVARM | | 1 |
| 21 | 502103101 | BUSHING | | 1 |
| 22 | 503525901 | SPRING THROTT RETURN | | 1 |
| 23 | 502103101 | BUSHING | | 1 |
| 24 | 503598401 | FITTING | | 1 |
| 25 | 503632401 | VALVE THROTTLE | | 1 |
| 26 | 530035015 | SCREW | | 1 |
| 27 | 501666101 | NÄT | | 1 |
| 28 | 506028301 | BRICKA | | 2 |
| 29 | 503595701 | HÄVARM | | 1 |
| 30 | 505316737 | FJÄDER | | 1 |
| 31 | 503595501 | O-RING | | 1 |
| 32 | 503597201 | BRICKA | | 1 |
| 33 | 503526001 | PIN THROTTLE STOP | | 1 |
| 34 | 503633101 | FJÄDER | | 1 |
| 35 | 503596501 | SCREW | | 1 |
| 36 | 503632901 | SCREW IDLE SPEED | | 1 |
| 37 | 503633201 | NEEDLE IDLE SPEED | | 1 |
| 38 | 503595901 | AXEL KPL | | 1 |
| 39 | 503117301 | DIAPHRAGM PUMP | | 1 |
| 40 | 503117201 | PACKNING | | 1 |
| 41 | 503595801 | KÅPA | | 1 |
| 42 | 503117501 | SCREW | | 4 |
| 43 | 503597402 | PACKNINGSSATS | Set of gaskets | 1 |

P 3120
ACCESSORIES

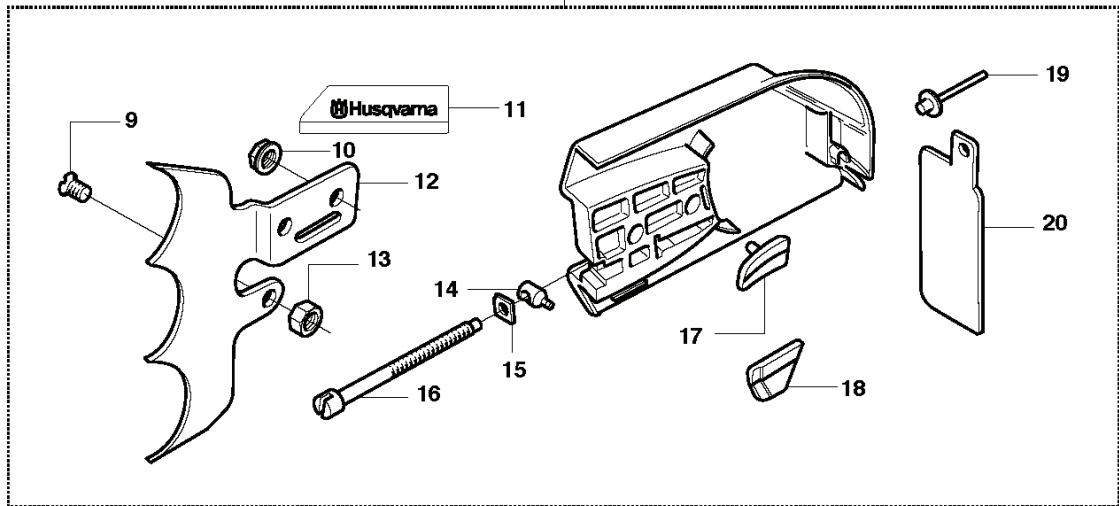
1



7

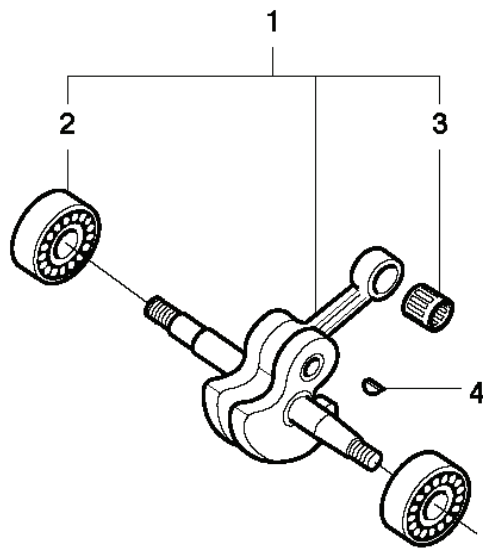


8



| REF. | ART. NR | ARTIKELBESKRIVNING | ANMÄRKNING | KIT |
|------|-----------|--------------------|------------|-----|
| 1 | 503558502 | VERKTYGSSATS | | 1 |
| 2 | 503139601 | KOMBINYCKEL | | 1 |
| 3 | 503558602 | NYCKEL | NV5* | 1 |
| 4 | 503558601 | NYCKEL | NV4* | 1 |
| 5 | 501911401 | FETT TRYCKSPRUTA | | 1 |
| 6 | 501688901 | KOMBINYCKEL | | 1 |
| 7 | 503621201 | FETT | | 1 |
| 8 | 501896301 | KOPPLINGSKÅPA KPL | | 1 |
| 9 | 725636756 | SKRUV IHCSFM | | 1 |
| 10 | 503220001 | MUTTER (HEXAGON) | | 2 |
| 11 | 503624201 | DEKAL | | 1 |
| 12 | 503140401 | BARSTÖD | | 1 |
| 13 | 503222402 | LOCK NUT | | 1 |
| 14 | 505267650 | MEDBRINGARHAKE | | 1 |
| 15 | 501248101 | LOCK NUT | | 1 |
| 16 | 503135701 | SCREW | | 1 |
| 17 | 503141201 | KEDJESTYRARE | | 1 |
| 18 | 503141301 | KEDJESTYRARE | | 1 |
| 19 | 722782902 | BLIND RIVET | | 1 |
| 20 | 503138101 | SPÅNSPRUTSKYDD | | 1 |

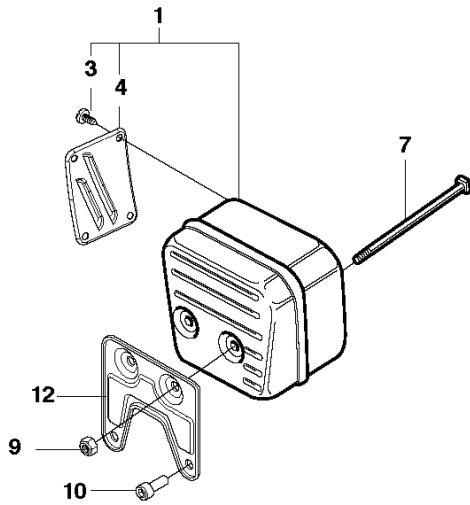
E 3120
CRANKSHAFT



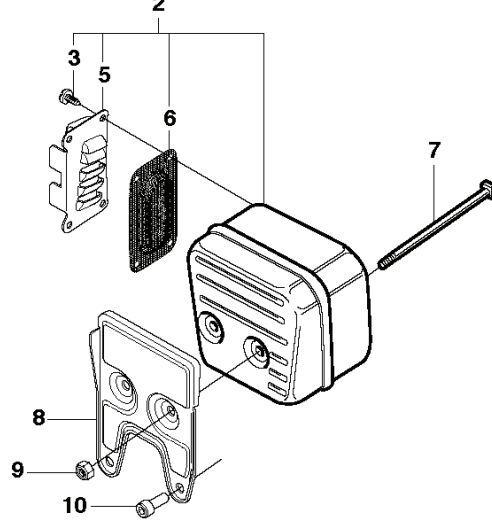
| REF. | ART. NR | ARTIKELBESKRIVNING | ANMÄRKNING | KIT |
|------|-----------|--------------------|------------|-----|
| 1 | 503142003 | VEVAXEL KPL | | 1 |
| 2 | 503250002 | KULLAGER | | 2 |
| 3 | 503132901 | NÅLHÅLLARE | | 1 |
| 4 | 735880600 | WOODRUFFKIL | | 1 |

F 3120
MUFFLER

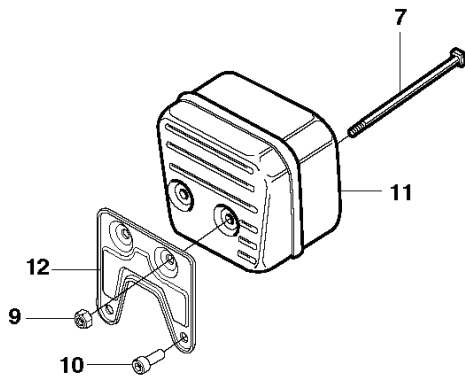
EU up to - 20115099999



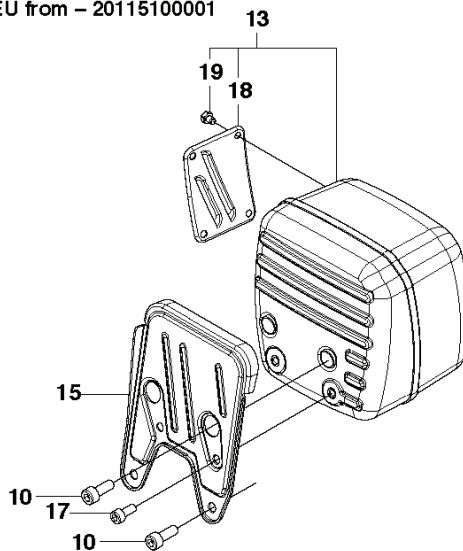
FF, Us, Au up to - 20115099999



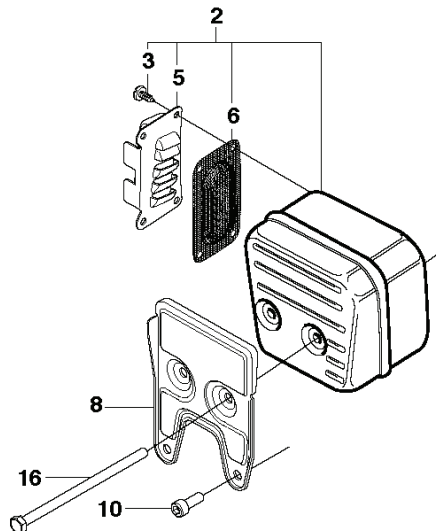
DJ up to - 20115099999



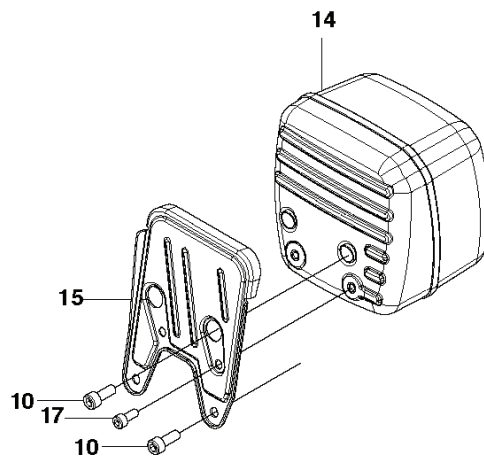
EU from - 20115100001



FF, Us, Au from - 20115100001

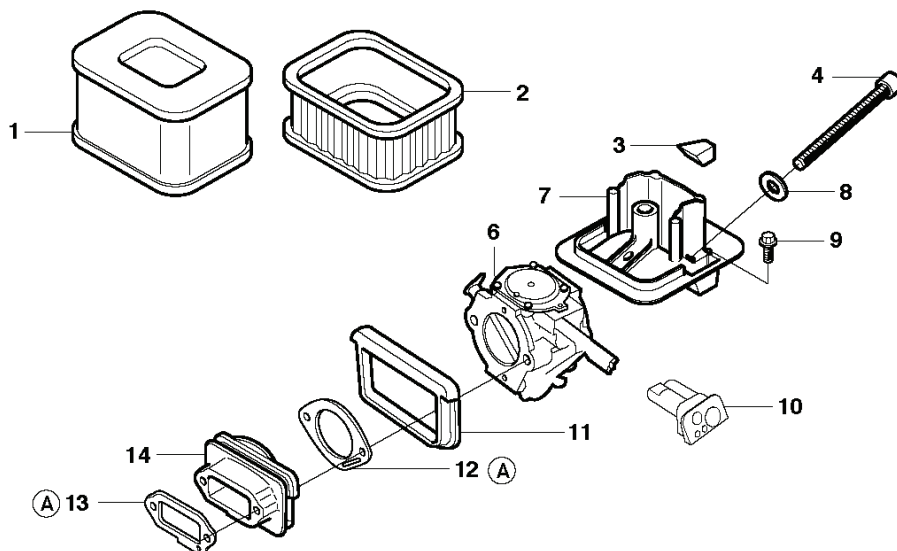


DJ from - 20115100001



| REF. | ART. NR | ARTIKELBESKRIVNING | ANMÄRKNING | KIT |
|------|-----------|--------------------|----------------------------------|-----|
| 1 | 503130003 | LJUDDÄMPARE KPL | EU up to - 20115099999 | 1 |
| 2 | 503836502 | LJUDDÄMPARE | FF, US, AU up to 20115099999 | 1 |
| 3 | 729534001 | SCREW CCRPANT | | 4 |
| 4 | 503130801 | AVGASLEDARE | EU | 1 |
| 5 | 503836801 | AVGASLEDARE | FF, US, AU | 1 |
| 6 | 503131201 | NÄT | FF, US, AU | 1 |
| 7 | 503218501 | SCREW | up to - 20115099999 | 2 |
| 8 | 503140101 | STÖD | FF, US, AU | 1 |
| 9 | 503222402 | LOCK NUT | | 2 |
| 10 | 725536855 | SKRUV IHSCM | | 2 |
| 11 | 503143002 | LJUDDÄMPARE KPL | DJ up to - 20115099999 | 1 |
| 12 | 503135301 | STÖD | up to - 20115099999 | 1 |
| 13 | 505417904 | LJUDDÄMPARE KPL | EU From - 20115100001 | 1 |
| 14 | 505417902 | LJUDDÄMPARE KPL | DJ From - 20115100001 | 1 |
| 15 | 505420101 | STÖD | EU, DJ From - 20115100001 | 1 |
| 16 | 579091601 | SKRUV EHHM | FF, US, AU From - 20115100001 | 2 |
| 17 | 725532755 | SKRUV IHSCM | EU, DJ From - 20115100001 | 2 |
| 18 | 505506901 | AVGASLEDARE | EU From - 20115100001 | 1 |
| 19 | 574560401 | SKRUV EHHM | EU From - 20115100001 | 4 |

G 3120
CARBURETTOR & AIR FILTER

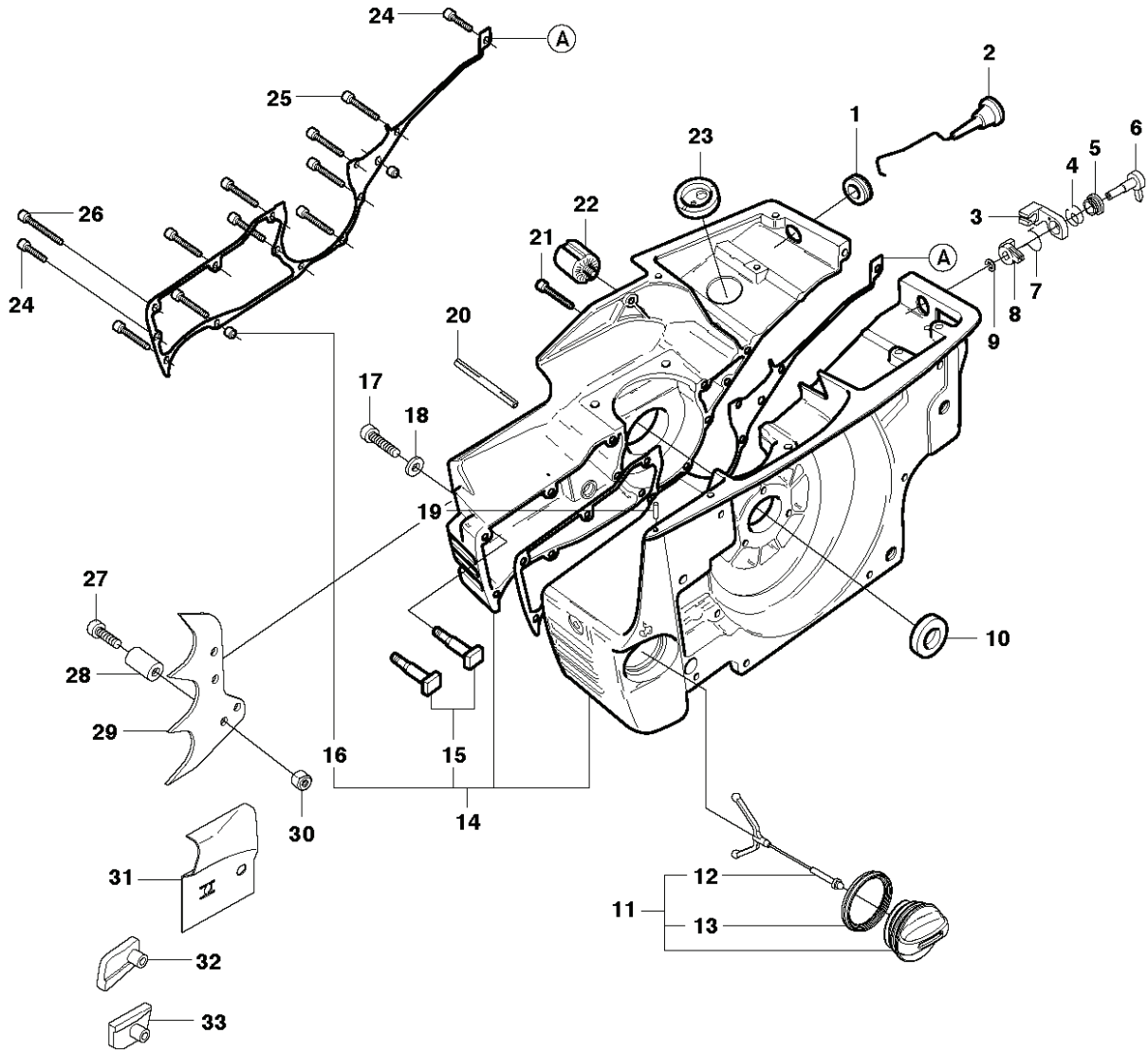


15

(A) 503 14 25-01
Set of gaskets

| REF. | ART. NR | ARTIKELBESKRIVNING | ANMÄRKNING | KIT |
|------|-----------|--------------------|------------------|-----|
| 1 | 503141802 | LUFTFILTER | FOAM | 1 |
| 2 | 503895301 | LUFTFILTER | FELT, WG 7A, EPA | 1 |
| 3 | 503144701 | FILLER | | 1 |
| 4 | 503202197 | SKRUV IHSCM | | 2 |
| 6 | 503282001 | FÖRGASARE | WG10 | 1 |
| 6 | 503281216 | FÖRGASARE | WG 7A, EPA | 1 |
| 7 | 501899002 | FILTERHÅLLARE KPL | | 1 |
| 8 | 734114601 | BRICKA | | 2 |
| 9 | 503200320 | SKRUV IHSCFM | | 2 |
| 10 | 503689201 | STYRHYLSA | | 1 |
| 11 | 503143701 | TÄTNING | | 1 |
| 12 | 503134701 | PACKNING | | 1 |
| 13 | 503134801 | PACKNING | | 1 |
| 14 | 501894801 | INSUGSRÖR | | 1 |
| 15 | 503142501 | PACKNINGSSATS | Set of gaskets | 1 |

H 3120
CRANKCASE

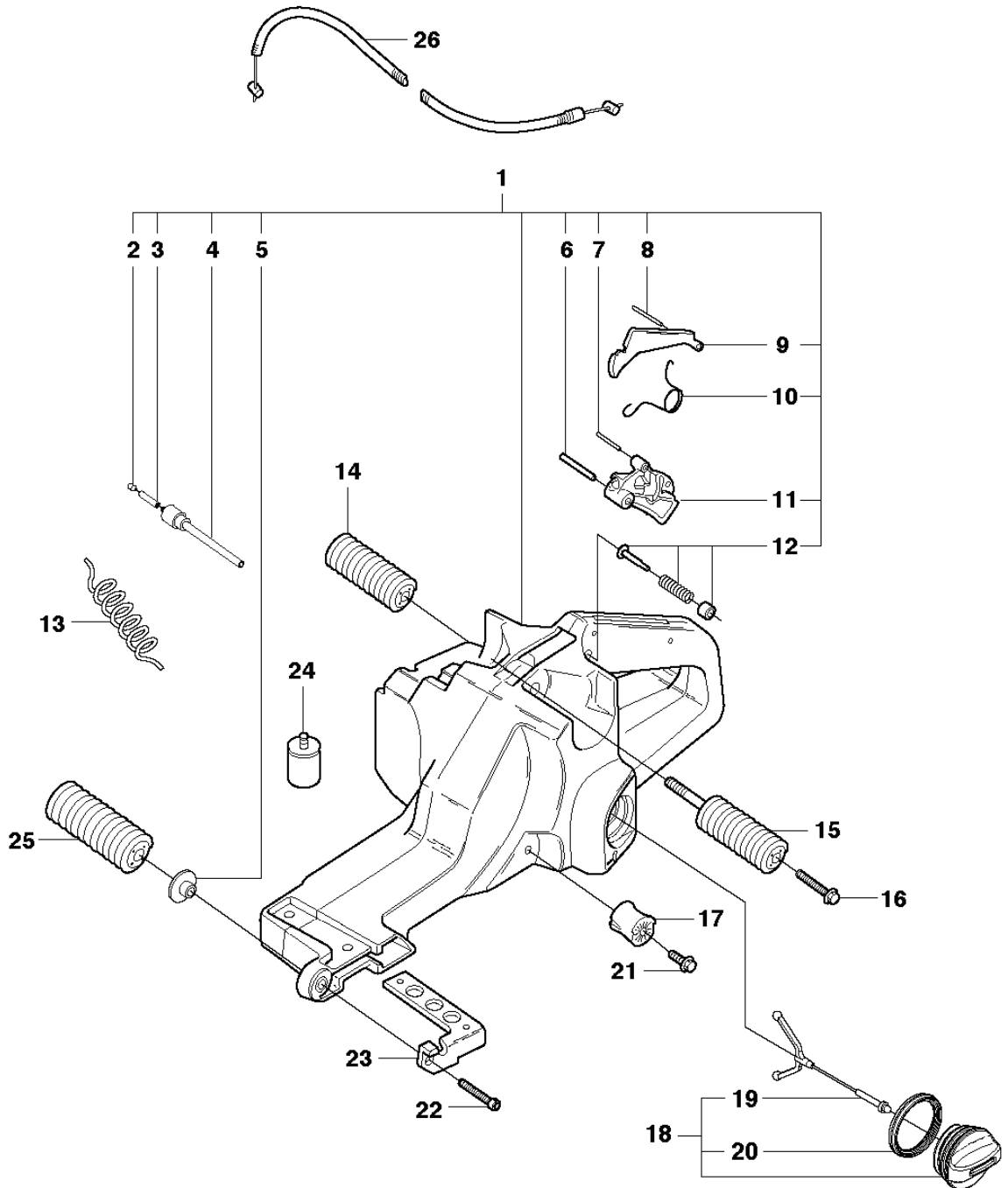


34

A 503 14 25-01
Set of gaskets

| REF. | ART. NR | ARTIKELBESKRIVNING | ANMÄRKNING | KIT |
|------|-----------|--------------------|----------------|-----|
| 1 | 503145402 | GENOMFÖRING | | 1 |
| 2 | 503145202 | CHOKEREGLAG E KPL | | 1 |
| 3 | 501898301 | FÄSTE | | 1 |
| 4 | 503140001 | FJÄDER | | 1 |
| 5 | 501898601 | SCREW | | 1 |
| 6 | 501898402 | KNOPP | | 1 |
| 7 | 501898501 | FJÄDER | | 1 |
| 8 | 503138201 | DRAW LEVER | | 1 |
| 9 | 735310920 | SPÄRRYTARE | | 1 |
| 10 | 503260205 | SEALING RING | | 1 |
| 11 | 537215207 | TANKLOCK KPL | | 1 |
| 12 | 503578901 | HÅLLARE | | 1 |
| 13 | 589241101 | PACKNING | | 1 |
| 14 | 501892501 | VEVHUS | | 1 |
| 15 | 501815701 | SVÄRDSBULT | | 2 |
| 16 | 593806001 | STYRHYLSA | | 2 |
| 17 | 725533355 | SKRUV IHSCM | | 1 |
| 18 | 734114601 | BRICKA | | 1 |
| 19 | 501462401 | RÄFFELPINNE | | 1 |
| 20 | 503134301 | TANKVENTIL | | 1 |
| 21 | 725537055 | SKRUV IHSCM | | 1 |
| 22 | 501269705 | VIBRATIONISOLATOR | | 1 |
| 23 | 503132001 | GENOMFÖRING | | 1 |
| 24 | 725533155 | SKRUV IHSCM | | 2 |
| 25 | 725533955 | SKRUV IHSCM | | 10 |
| 26 | 725534355 | SKRUV IHSCM | | 1 |
| 27 | 725532755 | SKRUV IHSCM | | 1 |
| 28 | 503447801 | HYLSA | | 1 |
| 29 | 503139201 | BARKSTÖD | | 1 |
| 30 | 503222401 | LOCK NUT | | 1 |
| 31 | 503142601 | SKYDDSPLÅT | | 1 |
| 32 | 503141401 | KEDJESTYRARE | | 1 |
| 33 | 503141501 | KEDJESTYRARE | | 1 |
| 34 | 503142501 | PACKNINGSSATS | Set of gaskets | 1 |

J 3120
FUEL TANK



| REF. | ART. NR | ARTIKELBESKRIVNING | ANMÄRKNING | KIT |
|------|-----------|-----------------------|------------|-----|
| 1 | 503142105 | TANKENHET KPL | | 1 |
| 2 | 504357201 | PLUGG | | 1 |
| 3 | 581756105 | BRÄNSLESLANG | | 1 |
| 4 | 506293901 | TANKVENTIL | | 1 |
| 5 | 503140801 | BUSHING | | 1 |
| 6 | 720127806 | CYLINDRISK PINNE | | 1 |
| 7 | 720124020 | CYLINDRISK PINNE | | 1 |
| 8 | 720124020 | CYLINDRISK PINNE | | 1 |
| 9 | 503131602 | GASSPÄRR | | 1 |
| 10 | 503131801 | FJÄDER | | 1 |
| 11 | 503133602 | THROTTLE CONTROL ASSY | | 1 |
| 12 | 503142301 | TAPP | | 1 |
| 13 | 581756202 | BRÄNSLESLANG | | 1 |
| 14 | 503132601 | VIBRATIONISOLATOR | | 1 |
| 15 | 503132501 | VIBRATIONISOLATOR | | 1 |
| 16 | 725536855 | SKRUV IHSCM | | 2 |
| 17 | 501814701 | VIBRATIONISOLATOR | Std. | 1 |
| 17 | 501814702 | VIBRATIONISOLATOR | Hard | 1 |
| 18 | 537215207 | TANKLOCK KPL | | 1 |
| 19 | 503578901 | HÅLLARE | | 1 |
| 20 | 537215001 | TÄTNING | | 1 |
| 21 | 725532755 | SKRUV IHSCM | | 1 |
| 22 | 725533555 | SKRUV IHSCM | | 1 |
| 23 | 503140501 | FÄSTE | | 1 |
| 24 | 503517101 | BRÄNSLEFILTER | | 1 |
| 25 | 503132701 | VIBRATIONISOLATOR | | 1 |
| 26 | 503145501 | GASVAJER KPL | | 1 |