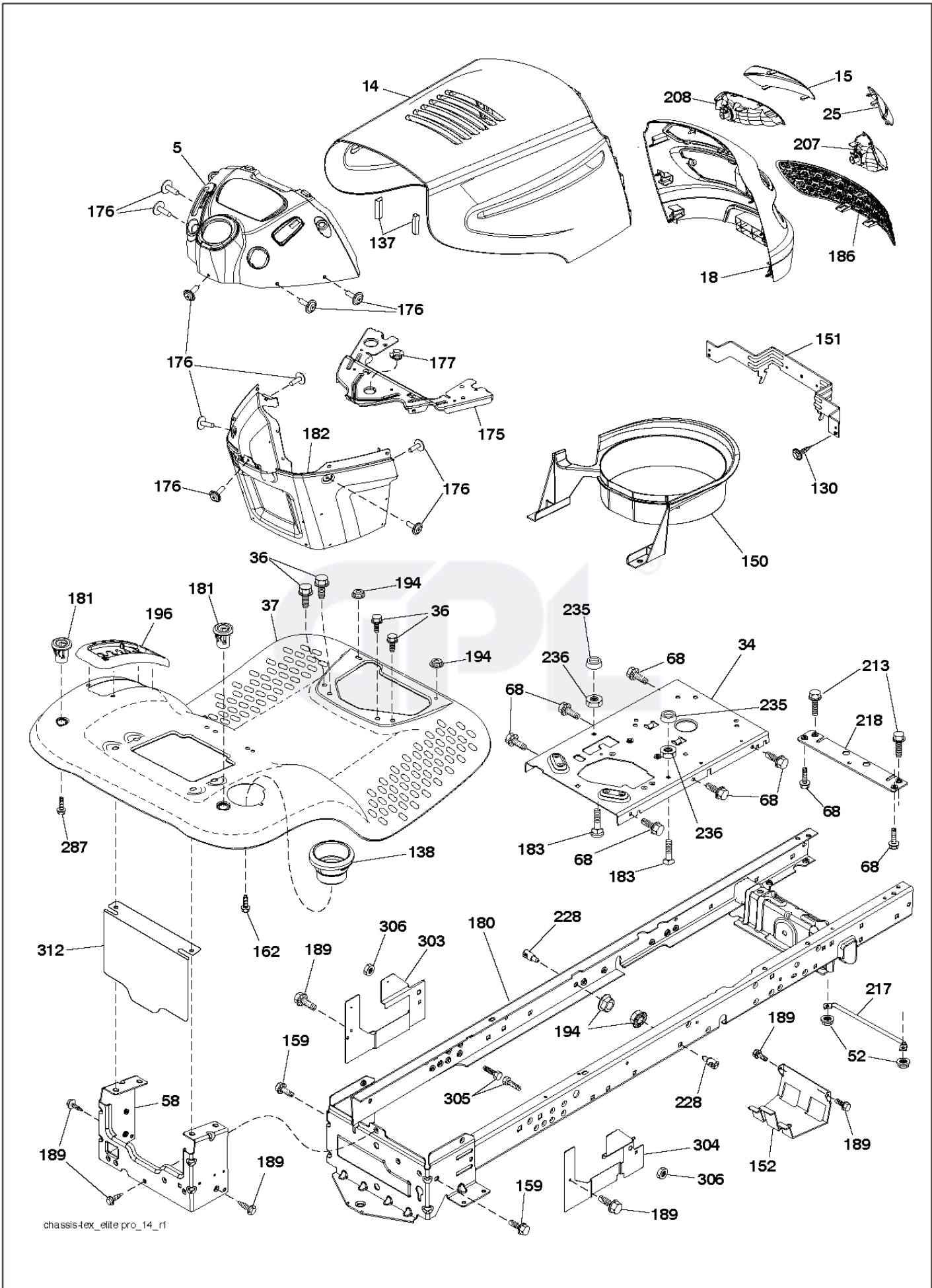


M13597, 96041009101, 2010-07

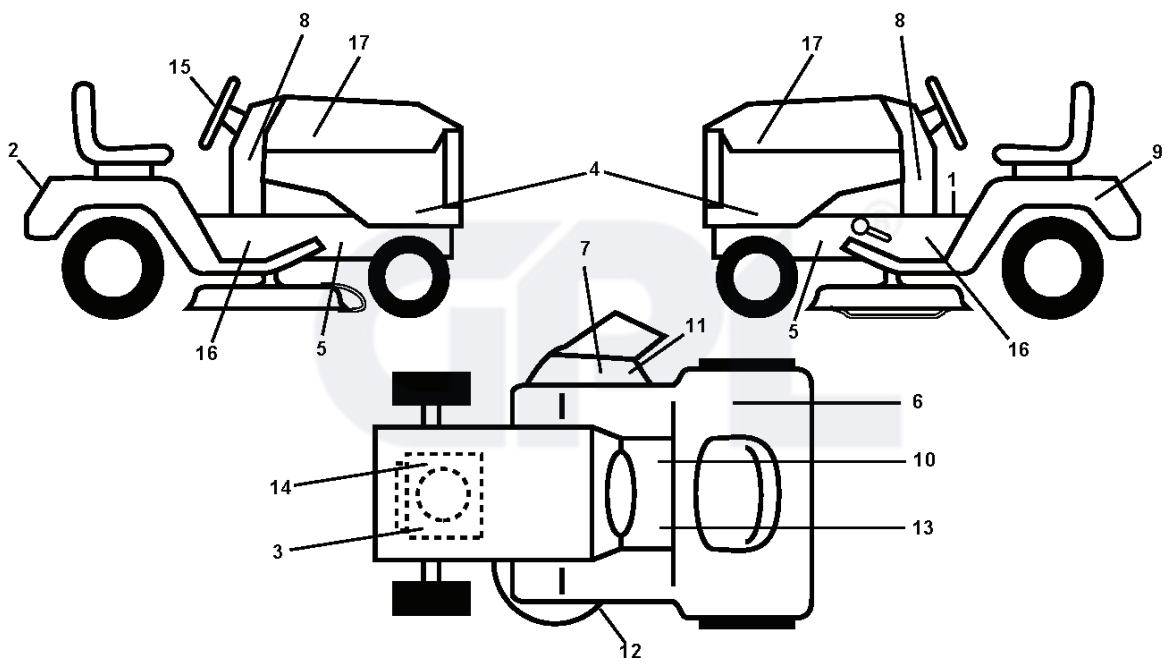
GPL<sup>®</sup>

---

**SPARE PARTS LIST**



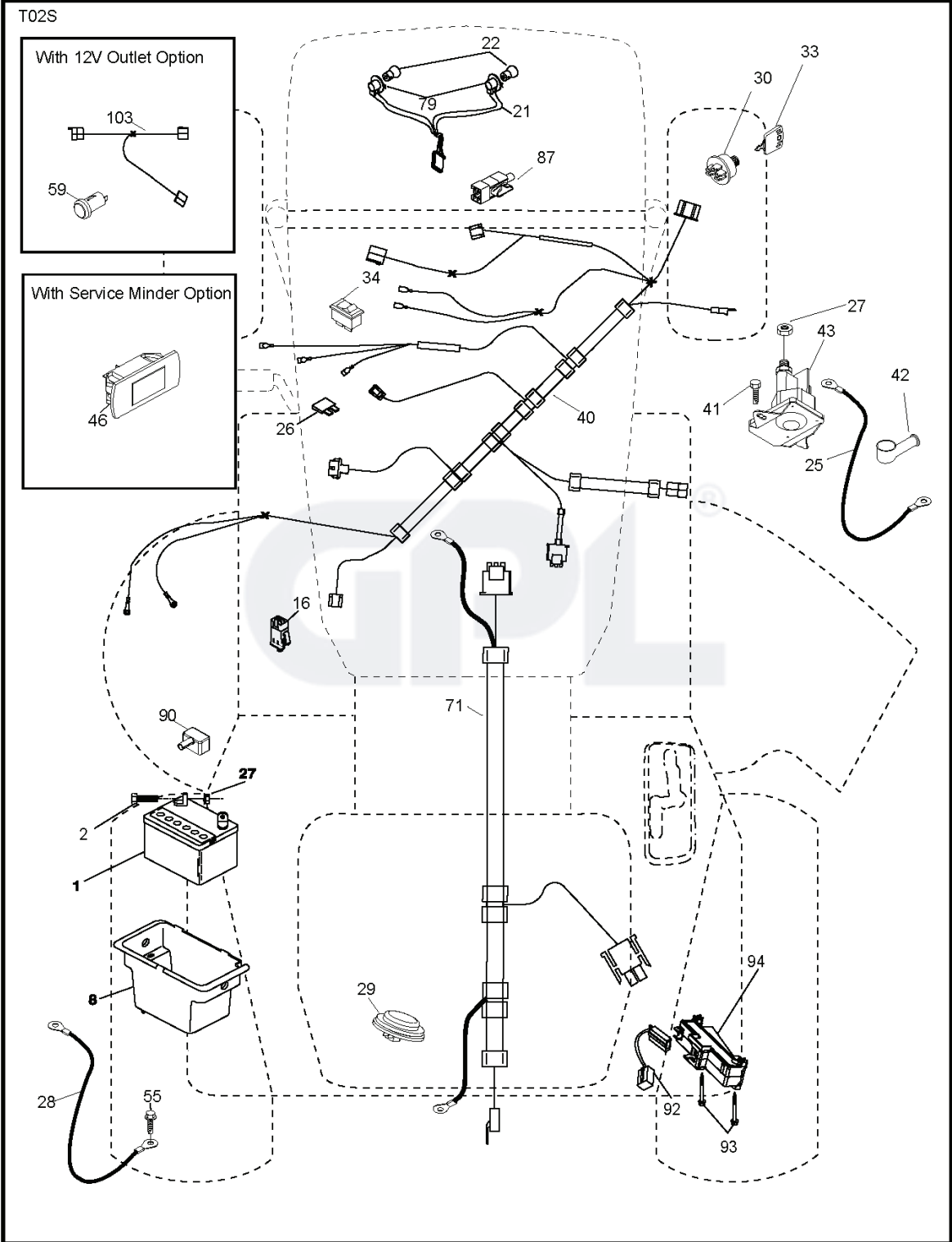
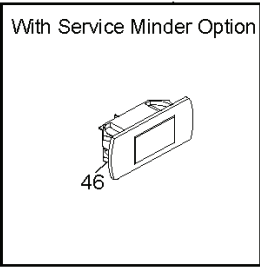
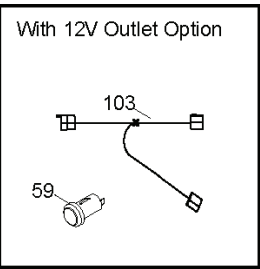
| REF. | PART NO.  | DESCRIPTION             | REMARK | QTY. | KIT |
|------|-----------|-------------------------|--------|------|-----|
| 5    | 532411279 | PANEL                   |        | 1    |     |
| 14   | 532186580 | HOOD LT/PL              |        | 1    |     |
| 15   | 532189754 | LENS GRILLE LH          |        | 1    |     |
| 18   | 532189748 | CALANDRE                |        | 1    |     |
| 25   | 532189755 | LENS GRILLE RH          |        | 1    |     |
| 34   | 532196125 | PLATE                   |        | 1    |     |
| 36   | 817060512 | SCREW                   |        | 1    |     |
| 37   | 532420986 | FENDER                  |        | 1    |     |
| 52   | 873680500 | NUT                     |        | 1    |     |
| 58   | 532412280 | PLATE                   |        | 1    |     |
| 68   | 817490508 | SCREW                   |        | 1    |     |
| 130  | 532416358 | SCREW                   |        | 1    |     |
| 137  | 532184921 | BUMPER                  |        | 1    |     |
| 138  | 532409730 | CONSOLE                 |        | 1    |     |
| 150  | 532184461 | AIR DUCT                |        | 1    |     |
| 151  | 532407807 | BRACKET                 |        | 1    |     |
| 152  | 532199535 | SHIELD                  |        | 1    |     |
| 159  | 817000612 | SCREW                   |        | 1    |     |
| 162  | 532142432 | SCREW                   |        | 1    |     |
| 175  | 532193243 | PLATE                   |        | 1    |     |
| 176  | 532400776 | SCREW                   |        | 1    |     |
| 177  | 532195228 | BUSHING                 |        | 1    |     |
| 180  | 532415063 | FRAME                   |        | 1    |     |
| 181  | 532404796 | BUSHING                 |        | 1    |     |
| 182  | 532193057 | PANEL                   |        | 1    |     |
| 183  | 874780520 | BOLT                    |        | 1    |     |
| 186  | 532189753 | INSERT GRILLE           |        | 1    |     |
| 189  | 817000512 | SCREW                   |        | 1    |     |
| 194  | 873900500 | NUT                     |        | 1    |     |
| 196  | 532414581 | CONSOLE                 |        | 1    |     |
| 207  | 532183833 | SUPPORT DE PHARE DROIT  |        | 1    |     |
| 208  | 532183832 | SUPPORT DE PHARE GAUCHE |        | 1    |     |
| 213  | 874760512 | BOLT                    |        | 1    |     |
| 217  | 532409167 | ROD                     |        | 1    |     |
| 218  | 532196395 | PLATE                   |        | 1    |     |
| 228  | 532195161 | STUD                    |        | 1    |     |
| 235  | 532406129 | SPACER                  |        | 1    |     |
| 236  | 873930500 | NUT                     |        | 1    |     |
| 287  | 817600406 | SCREW                   |        | 1    |     |
| 303  | 532420959 | SHIELD                  |        | 1    |     |
| 304  | 532421509 | SHIELD                  |        | 1    |     |
| 305  | 872110606 | BOLT                    |        | 1    |     |
| 306  | 873900600 | NUT                     |        | 1    |     |
| 312  | 532420960 | SHIELD                  |        | 1    |     |



| REF. | PART NO.  | DESCRIPTION                | REMARK | QTY. | KIT |
|------|-----------|----------------------------|--------|------|-----|
| 1    | 532400389 | LABEL                      |        | 1    |     |
| 2    | 532408260 | LABEL                      |        | 1    |     |
| 3    | 532196841 | DECAL                      |        | 1    |     |
| 4    | 532433570 | DECAL                      |        | 1    |     |
| 5    | 532159736 | DECAL                      |        | 1    |     |
| 6    | 532180432 | DECAL                      |        | 1    |     |
| 7    | 532182166 | DECAL                      |        | 1    |     |
| 8    | 532185651 | DECAL                      |        | 1    |     |
| 9    | 532145005 | DECAL                      |        | 1    |     |
| 10   | 532140837 | DECAL                      |        | 1    |     |
| 11   | 532196357 | DECALC."DANGER DEFLECTEUR" |        | 1    |     |
| 12   | 532194302 | DECALC.SCHEMA MONTAGE      |        | 1    |     |
| 13   | 532159737 | DECAL                      |        | 1    |     |
| 14   | 532432013 | DECAL                      |        | 1    |     |
| 15   | 532424236 | DECAL                      |        | 1    |     |
| 16   | 532401146 | DECAL                      |        | 1    |     |
| 17   | 532431171 | DECAL                      |        | 1    |     |
| --   | 532162598 | DECAL                      |        | 1    |     |
| --   | 532409505 | PAD                        |        | 1    |     |
| --   | 532411273 | PAD                        |        | 1    |     |
| --   |           |                            |        | 1    |     |



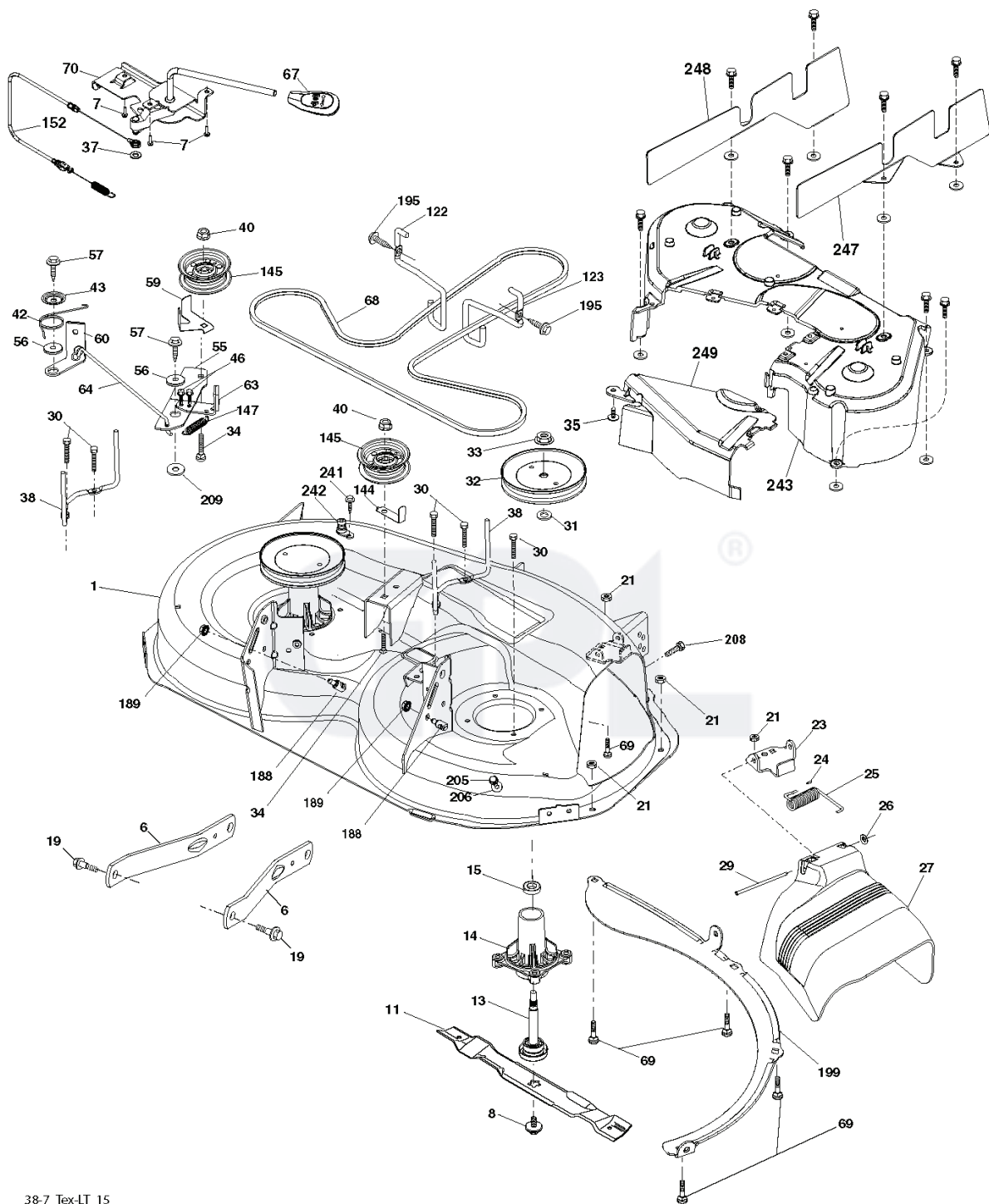
T02S



| REF. | PART NO.  | DESCRIPTION                    | REMARK | QTY. | KIT |
|------|-----------|--------------------------------|--------|------|-----|
| 1    | 532163465 | BATTERY                        |        | 1    |     |
| 2    | 874760412 | BOLT                           |        | 1    |     |
| 8    | 532193228 | BOX                            |        | 1    |     |
| 16   | 532176138 | MICRO SWITCH                   |        | 1    |     |
| 21   | 532183759 | HARNESS                        |        | 1    |     |
| 22   | 532004152 | BULB                           |        | 1    |     |
| 25   | 532412894 | CABLE.STARTER.GGA.BL/R*SUBS/2* |        | 1    |     |
| 26   | 532175158 | FUSE                           |        | 1    |     |
| 27   | 873510400 | NUT                            |        | 1    |     |
| 28   | 532198885 | CABLE                          |        | 1    |     |
| 29   | 532401545 | SWITCH                         |        | 1    |     |
| 30   | 532193350 | IGNITION MODULE                |        | 1    |     |
| 33   | 532411935 | KEY                            |        | 1    |     |
| 34   | 532110712 | SWITCH                         |        | 1    |     |
| 40   | 532401098 | CABLE                          |        | 1    |     |
| 41   | 817720408 | SCREW                          |        | 1    |     |
| 42   | 532131563 | COVER                          |        | 1    |     |
| 43   | 532192507 | SOLENOID                       |        | 1    |     |
| 55   | 817060512 | SCREW                          |        | 1    |     |
| 71   | 532400449 | CABLE                          |        | 1    |     |
| 79   | 532175242 | HOLDER                         |        | 1    |     |
| 87   | 532197802 | SWITCH                         |        | 1    |     |
| 90   | 532400725 | COVER                          |        | 1    |     |
| 92   | 532196615 | CABLE ASSY                     |        | 1    |     |
| 93   | 532192540 | SCREW                          |        | 1    |     |
| 94   | 532191834 | MODULE.REVERSE.ROS             |        | 1    |     |

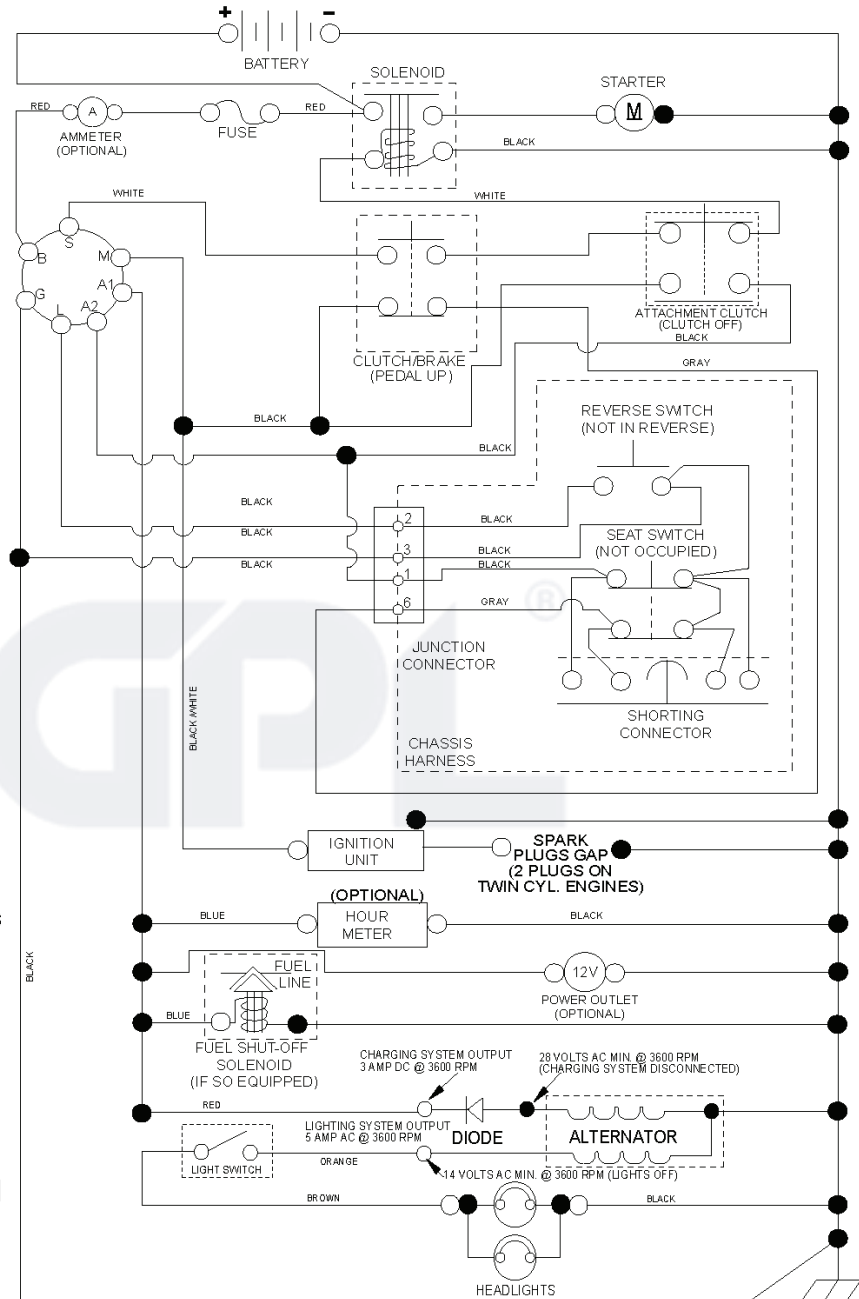




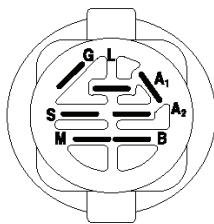


| REF. | PART NO.  | DESCRIPTION       | REMARK | QTY. | KIT |
|------|-----------|-------------------|--------|------|-----|
| 1    | 532194251 | HOUSING           |        | 1    |     |
| 6    | 532195186 | ARM               |        | 1    |     |
| 7    | 532416358 | SCREW             |        | 1    |     |
| 8    | 532193003 | SCREW             |        | 1    |     |
| 11   | 532193957 | RIDE ON BLADE     |        | 1    |     |
| 13   | 532192872 | SHAFT ASSY        |        | 1    |     |
| 14   | 532187281 | BEARING HOUSING   |        | 1    |     |
| 15   | 532110485 | BEARING           |        | 1    |     |
| 19   | 532196539 | BOLT              |        | 1    |     |
| 21   | 873680500 | NUT               |        | 1    |     |
| 23   | 532192557 | HINGE             |        | 1    |     |
| 24   | 532105304 | HUB CAP           |        | 1    |     |
| 25   | 532197026 | TORSION SPRING    |        | 1    |     |
| 26   | 532110452 | NUT               |        | 1    |     |
| 27   | 532401618 | DEFLECTOR         |        | 1    |     |
| 29   | 532131491 | SHAFT             |        | 1    |     |
| 30   | 532173984 | SCREW             |        | 1    |     |
| 31   | 532187690 | WASHER            |        | 1    |     |
| 32   | 532199789 | PULLEY            |        | 1    |     |
| 33   | 532400234 | NUT               |        | 1    |     |
| 34   | 872110612 | BOLT              |        | 1    |     |
| 35   | 532133835 | XMAS TREE FASTNER |        | 1    |     |
| 37   | 819131316 | WASHER            |        | 1    |     |
| 38   | 532199541 | BELT GUIDE        |        | 1    |     |
| 40   | 873900600 | NUT               |        | 1    |     |
| 42   | 532198410 | SPRING            |        | 1    |     |
| 43   | 532197256 | SPRING            |        | 1    |     |
| 46   | 532137729 | SCREW             |        | 1    |     |
| 55   | 532197249 | ARM               |        | 1    |     |
| 56   | 532199092 | SPACER            |        | 1    |     |
| 57   | 817000616 | SCREW             |        | 1    |     |
| 59   | 532141043 | GUARD             |        | 1    |     |
| 60   | 532199471 | ARM               |        | 1    |     |
| 63   | 532199470 | ARM               |        | 1    |     |
| 64   | 532199790 | LINK              |        | 1    |     |
| 67   | 532409792 | HANDLE            |        | 1    |     |
| 68   | 532408381 | BELT              |        | 1    |     |
| 69   | 872140505 | BOLT              |        | 1    |     |
| 70   | 532198332 | CLUTCH            |        | 1    |     |
| 122  | 532197258 | BELT GUIDE        |        | 1    |     |
| 123  | 532197259 | BELT GUIDE        |        | 1    |     |
| 144  | 532193414 | BELT GUIDE        |        | 1    |     |
| 145  | 532193197 | PULLEY            |        | 1    |     |
| 147  | 532401872 | SPRING            |        | 1    |     |
| 152  | 532408714 | CABLE             |        | 1    |     |
| 188  | 532195161 | STUD              |        | 1    |     |
| 189  | 873900500 | NUT               |        | 1    |     |
| 195  | 817000612 | SCREW             |        | 1    |     |
| 199  | 532400095 | BAFFLE            |        | 1    |     |
| 205  | 817490416 | SCREW             |        | 1    |     |
| 206  | 819091416 | WASHER            |        | 1    |     |
| 208  | 817670608 | SCREW             |        | 1    |     |
| 209  | 819133210 | WASHER            |        | 1    |     |
| 241  | 532152927 | SCREW             |        | 1    |     |
| 242  | 532415598 | HOSE COUPLING     |        | 1    |     |
| 243  | 532432363 | COVER             |        | 1    |     |
| 247  | 532432360 | SHIELD            |        | 1    |     |
| 248  | 532432361 | SHIELD            |        | 1    |     |
| 249  | 532406514 | COVER             |        | 1    |     |
| --   | 532436087 | ELASTIC STRAP     |        | 1    |     |
| --   | 532192870 | SPINDLE           |        | 1    |     |
| --   | 532431691 | CUTTING DECK      |        | 1    |     |

SCH11

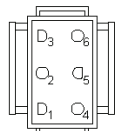


**NOTE**  
 YOUR TRACTOR IS EQUIPPED WITH A SPECIAL ALTERNATOR SYSTEM. THE LIGHTS ARE NOT CONNECTED TO THE BATTERY, BUT HAVE THEIR OWN ELECTRICAL SOURCE. BECAUSE OF THIS, THE BRIGHTNESS OF THE LIGHTS WILL CHANGE WITH ENGINE SPEED. AT IDLE THE LIGHTS WILL DIM. AS THE ENGINE IS SPEEDED UP, THE LIGHTS WILL BECOME THEIR BRIGHTEST.

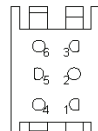


IGNITION SWITCH

| POSITION     | CIRCUIT    | "MAKE" |
|--------------|------------|--------|
| OFF          | M+G+A1     |        |
| RUN/OVERRIDE | B+A1       |        |
| RUN          | B+A1       | L+A2   |
| START        | B + S + A1 |        |



CHASSIS HARNESS CONNECTOR (MATING SIDE)



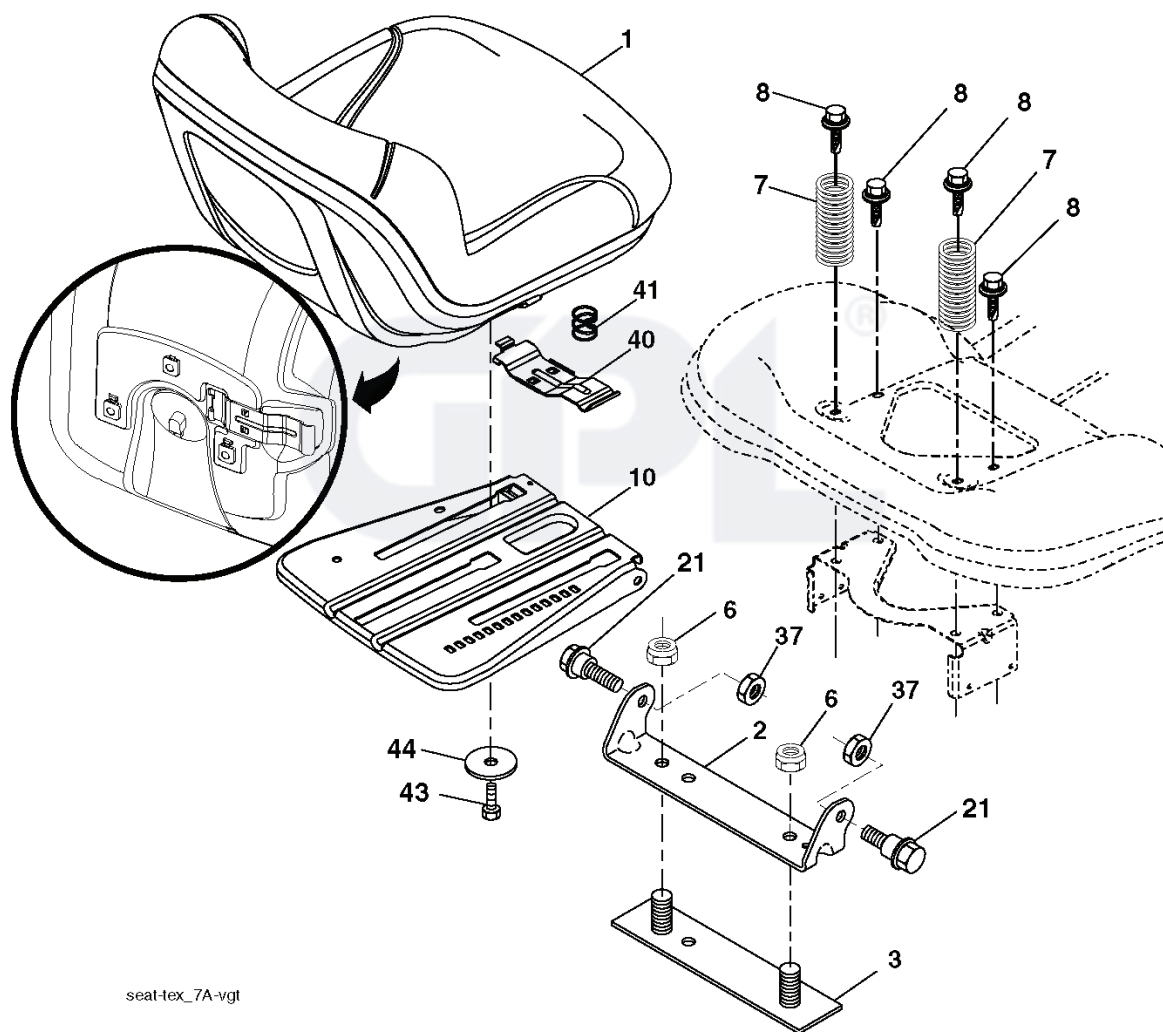
DASH HARNESS CONNECTOR (MATING SIDE)

WIRING INSULATED CLIPS  
 NOTE: IF WIRING INSULATED CLIPS WERE REMOVED FOR SERVICING OF UNIT, THEY SHOULD BE RE-INSTALLED TO PROPERLY SECURE YOUR WIRING.

● NON-REMOVABLE CONNECTIONS

○ REMOVABLE CONNECTIONS





seat-tex\_7A-vgt

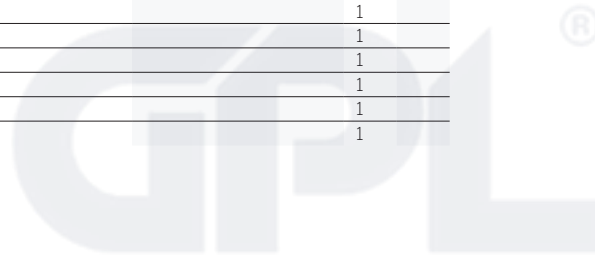
---

| REF. | PART NO.  | DESCRIPTION | REMARK | QTY. | KIT |
|------|-----------|-------------|--------|------|-----|
| 1    | 532197511 | SEAT        |        | 1    |     |
| 2    | 532180166 | BRACKET     |        | 1    |     |
| 3    | 532140675 | STRAP       |        | 1    |     |
| 6    | 873800600 | NUT         |        | 1    |     |
| 7    | 532124181 | SPRING      |        | 1    |     |
| 8    | 532171877 | BOLT        |        | 1    |     |
| 10   | 532196977 | PLATE       |        | 1    |     |
| 21   | 532171852 | BOLT        |        | 1    |     |
| 37   | 873800500 | LOCK NUT    |        | 1    |     |
| 40   | 532197661 | HANDLE      |        | 1    |     |
| 41   | 532198200 | SPRING      |        | 1    |     |
| 43   | 874760612 | BOLT        |        | 1    |     |
| 44   | 819133812 | WASHER      |        | 1    |     |

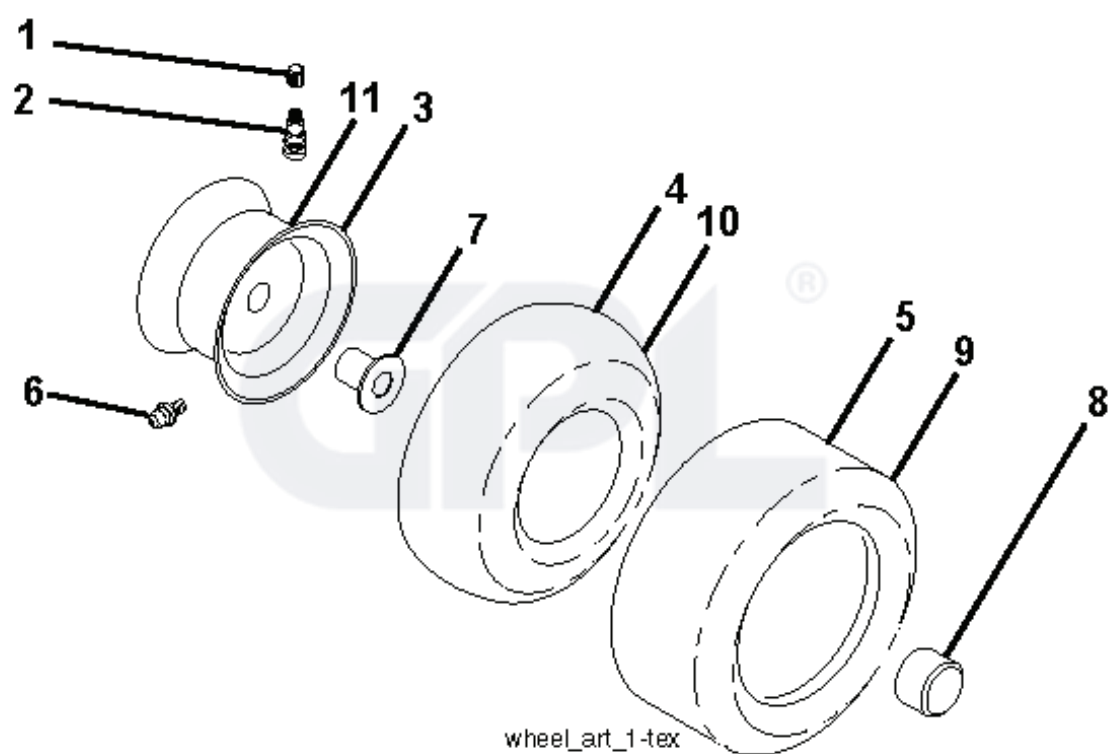




| REF. | PART NO.  | DESCRIPTION        | REMARK | QTY. | KIT |
|------|-----------|--------------------|--------|------|-----|
| 1    | 532424146 | STEERING WHEEL     |        | 1    |     |
| 2    | 532418168 | AXLE               |        | 1    |     |
| 4    | 532403087 | SPINDLE            |        | 1    |     |
| 5    | 532403088 | SPINDLE            |        | 1    |     |
| 6    | 532124931 | WASHER             |        | 1    |     |
| 7    | 532121748 | WASHER             |        | 1    |     |
| 8    | 812000029 | RETAINER RING      |        | 1    |     |
| 9    | 532121232 | HUB CAP            |        | 1    |     |
| 13   | 532121749 | WASHER             |        | 1    |     |
| 14   | 810040600 | WASHER             |        | 1    |     |
| 15   | 873540600 | NUT                |        | 1    |     |
| 16   | 532429373 | SHAFT              |        | 1    |     |
| 19   | 532194729 | PLATE              |        | 1    |     |
| 20   | 532409649 | BOOT-STEERING      |        | 1    |     |
| 21   | 532186737 | ADAPTER            |        | 1    |     |
| 22   | 532420537 | SUPPORT            |        | 1    |     |
| 26   | 532424691 | INSERT             |        | 1    |     |
| 28   | 817000612 | SCREW              |        | 1    |     |
| 33   | 810040500 | WASHER             |        | 1    |     |
| 35   | 532194732 | PLATE              |        | 1    |     |
| 45   | 819113812 | WASHER             |        | 1    |     |
| 53   | 532188967 | WASHER             |        | 1    |     |
| 57   | 532407465 | BRACKET            |        | 1    |     |
| 58   | 532194747 | BOLT               |        | 1    |     |
| 59   | 532194748 | WASHER             |        | 1    |     |
| 60   | 873971000 | NUT                |        | 1    |     |
| 61   | 532194740 | LINK               |        | 1    |     |
| 62   | 532194741 | LINK               |        | 1    |     |
| 63   | 817000512 | SCREW              |        | 1    |     |
| 64   | 532199849 | SPRING RETAINER    |        | 1    |     |
| 66   | 871020748 | BOLT               |        | 1    |     |
| 67   | 532194737 | BUSHING            |        | 1    |     |
| 68   | 873900700 | NUT                |        | 1    |     |
| 69   | 532199162 | WASHER             |        | 1    |     |
| 70   | 532196197 | BRACKET            |        | 1    |     |
| 71   | 532190752 | SHAFT              |        | 1    |     |
| 72   | 532428982 | BOLT               |        | 1    |     |
| 74   | 532124937 | BEARING COL. STRG. |        | 1    |     |







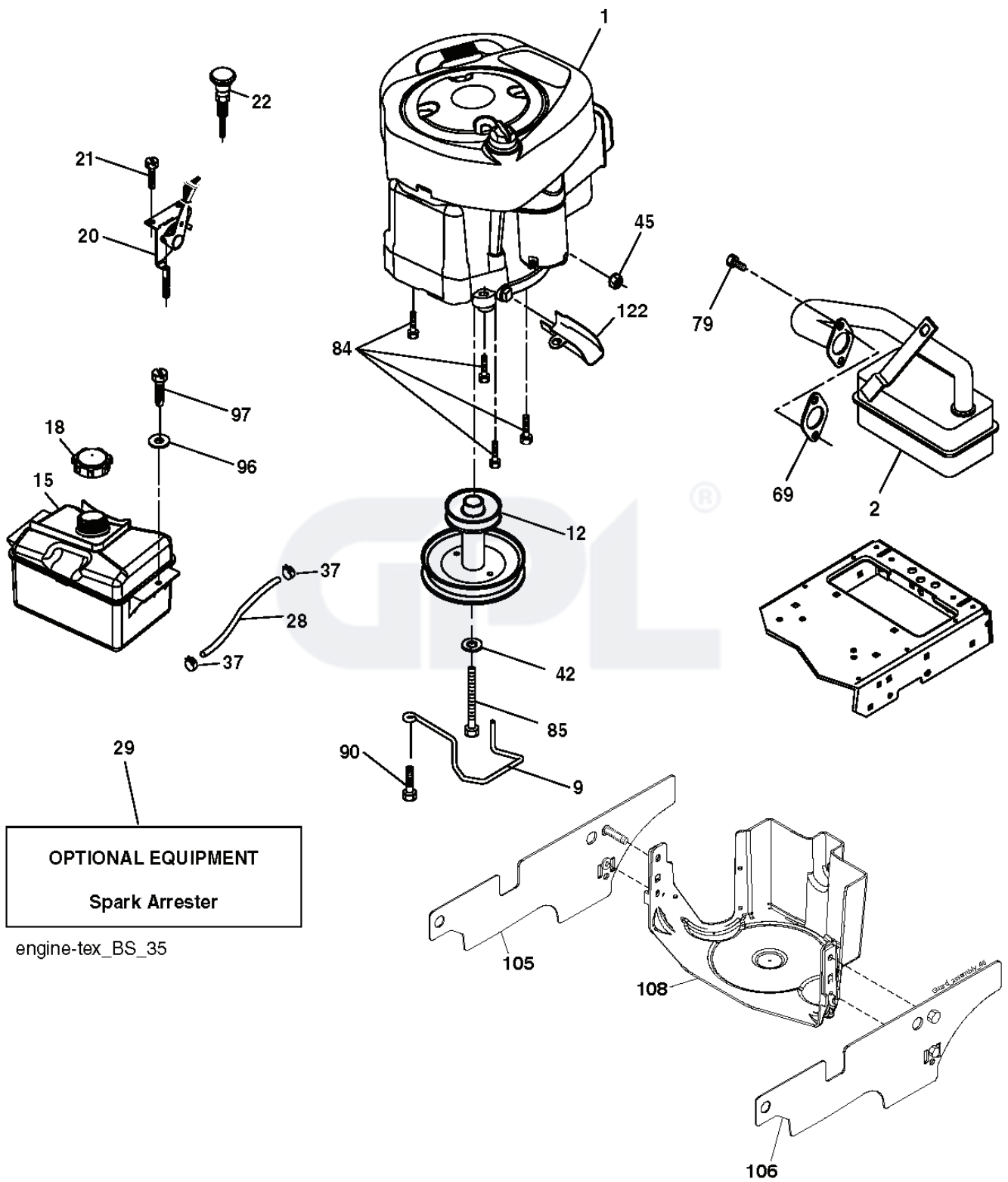
---

| REF. | PART NO.  | DESCRIPTION  | REMARK                    | QTY. | KIT |
|------|-----------|--------------|---------------------------|------|-----|
| 1    | 532059192 | CAP VALVE    |                           | 1    |     |
| 2    | 532065139 | NIPPLE       |                           | 1    |     |
| 3    | 532125121 | RIM          | Front 6"                  | 1    |     |
| 4    | 532059904 | HOSE         | Front (Service Item Only) | 1    |     |
| 5    | 532106222 | TIRE         | Front 15 x 6.0-6          | 1    |     |
| 6    | 532124957 | FITTING      | (Front Wheel Only)        | 1    |     |
| 7    | 532124959 | BEARING      | (Front Wheel Only)        | 1    |     |
| 8    | 532175039 | HUB CAP      |                           | 1    |     |
| 9    | 532124635 | TIRE         | Rear 18 x 8.5-8           | 1    |     |
| 10   | 532124926 | HOSE         | Rear (Service Item Only)  | 1    |     |
| 11   | 532125122 | RIM          | Rear 8"                   | 1    |     |
| --   | 532144334 | SEALING FOAM |                           | 1    |     |

GPL®

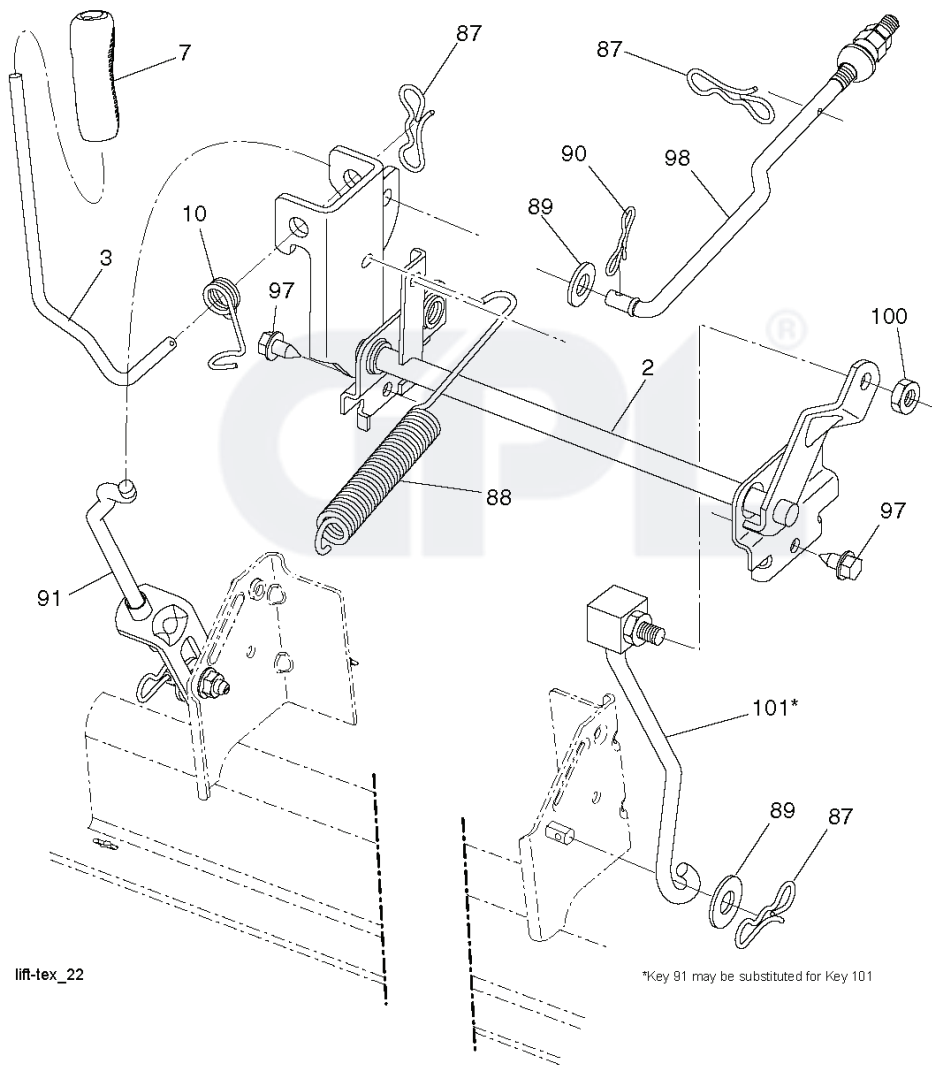


| REF. | PART NO.  | DESCRIPTION   | REMARK | QTY. | KIT |
|------|-----------|---------------|--------|------|-----|
| 1    |           |               |        | 1    |     |
| 2    | 532123583 | KEY           |        | 1    |     |
| 15   | 819131316 | WASHER        |        | 1    |     |
| 17   | 532197297 | SPRING        |        | 1    |     |
| 22   | 532197660 | ROD           |        | 1    |     |
| 23   | 532171674 | KNOB          |        | 1    |     |
| 26   | 532197455 | SPRING        |        | 1    |     |
| 29   | 532197267 | ROD           |        | 1    |     |
| 33   | 812000001 | RETAINER RING |        | 1    |     |
| 35   | 532197722 | ROD           |        | 1    |     |
| 37   | 532121749 | WASHER        |        | 1    |     |
| 42   | 532124872 | PEDAL RUBBER  |        | 1    |     |
| 49   | 872110614 | BOLT          |        | 1    |     |
| 50   | 532194327 | PULLEY        |        | 1    |     |
| 51   | 873900600 | NUT           |        | 1    |     |
| 52   | 532194326 | PULLEY        |        | 1    |     |
| 56   | 532194346 | BELT          |        | 1    |     |
| 61   | 532123666 | PULLEY        |        | 1    |     |
| 64   | 532196200 | SHAFT         |        | 1    |     |
| 70   | 532411290 | CONSOLE       |        | 1    |     |
| 73   | 874490544 | SCREW         |        | 1    |     |
| 74   | 532142432 | SCREW         |        | 1    |     |
| 116  | 873900500 | NUT           |        | 1    |     |
| 125  | 817000512 | SCREW         |        | 1    |     |
| 134  | 532197857 | ROD           |        | 1    |     |
| 139  | 874550412 | BOLT          |        | 1    |     |
| 140  | 810040400 | WASHER        |        | 1    |     |
| 141  | 819091210 | WASHER        |        | 1    |     |
| 155  | 812000028 | CLIP          |        | 1    |     |
| 157  | 532105701 | WASHER        |        | 1    |     |
| 158  | 532194352 | BELT GUIDE    |        | 1    |     |
| 159  | 876020412 | SPLIT PIN     |        | 1    |     |
| 160  | 532169484 | PIN           |        | 1    |     |
| 161  | 532105709 | SPRING        |        | 1    |     |
| 165  | 532196212 | BUSHING       |        | 1    |     |
| 166  | 532428305 | NUT           |        | 1    |     |
| 167  | 532405257 | LATCH         |        | 1    |     |
| 172  | 532197657 | STRAP         |        | 1    |     |
| 174  | 532197289 | NUT           |        | 1    |     |
| 175  | 532197858 | SHAFT         |        | 1    |     |
| 176  | 532196214 | ARM           |        | 1    |     |
| 178  | 532197456 | SPRING        |        | 1    |     |
| 183  | 532137057 | SPACER        |        | 1    |     |
| 184  | 532411289 | KNOB          |        | 1    |     |
| 185  | 872110622 | BOLT          |        | 1    |     |
| 186  | 532194321 | SPACER        |        | 1    |     |
| 187  | 819133210 | WASHER        |        | 1    |     |
| 188  | 532194323 | LINK          |        | 1    |     |
| 189  | 532194317 | PLATE         |        | 1    |     |
| 190  | 532194318 | BELT GUIDE    |        | 1    |     |
| 192  | 532150360 | NUT           |        | 1    |     |
| 193  | 817060512 | SCREW         |        | 1    |     |
| 195  | 532197332 | BRACKET       |        | 1    |     |
| 202  | 532197859 | LINK          |        | 1    |     |
| 203  | 819111116 | WASHER        |        | 1    |     |
| 205  | 532121748 | WASHER        |        | 1    |     |
| 221  | 532403187 | SPRING        |        | 1    |     |
| 232  | 874780716 | BOLT          |        | 1    |     |
| 233  | 532405296 | WASHER        |        | 1    |     |
| 263  | 817000612 | SCREW         |        | 1    |     |
| 268  | 532182402 | PROTECTOR     |        | 1    |     |
| 275  | 819131614 | WASHER        |        | 1    |     |



| REF. | PART NO.  | DESCRIPTION        | REMARK | QTY. | KIT |
|------|-----------|--------------------|--------|------|-----|
| 1    |           |                    |        | 1    |     |
| 2    | 532179758 | MUFFLER            |        | 1    |     |
| 9    | 532194319 | BELT GUIDE         |        | 1    |     |
| 12   | 532401985 | PULLEY             |        | 1    |     |
| 15   | 532407545 | FUEL TANK          |        | 1    |     |
| 18   | 532430220 | FUEL CAP           |        | 1    |     |
| 20   | 532411724 | CONTROL            |        | 1    |     |
| 21   | 532416358 | SCREW              |        | 1    |     |
| 22   | 532411725 | CONTROL            |        | 1    |     |
| 28   | 532137040 | HOSE               |        | 1    |     |
| 29   | 532137180 | SPARK ARRESTER KIT |        | 1    |     |
| 37   | 532123487 | HOSE CLAMP         |        | 1    |     |
| 42   | 810040700 | WASHER             |        | 1    |     |
| 45   | 873510400 | NUT                |        | 1    |     |
| 69   | 532165291 | GASKET             |        | 1    |     |
| 79   | 532192334 | SCREW              |        | 1    |     |
| 84   | 817060620 | SCREW              |        | 1    |     |
| 85   | 532173937 | BOLT               |        | 1    |     |
| 90   | 817000616 | SCREW              |        | 1    |     |
| 96   | 819091416 | WASHER             |        | 1    |     |
| 97   | 817670412 | SCREW              |        | 1    |     |
| 105  | 532440681 | SHIELD             |        | 1    |     |
| 106  | 532440680 | SHIELD             |        | 1    |     |
| 108  | 532421794 | ENGINE COVER       |        | 1    |     |
| 122  | 532421922 | EXTENSION PIPE     |        | 1    |     |





lift-tex\_22

\*Key 91 may be substituted for Key 101

| REF. | PART NO.  | DESCRIPTION | REMARK | QTY. | KIT |
|------|-----------|-------------|--------|------|-----|
| 2    | 532422027 | SHAFT       |        | 1    |     |
| 3    | 532195231 | LEVER       |        | 1    |     |
| 7    | 532411742 | GRIP        |        | 1    |     |
| 10   | 532196314 | SPRING      |        | 1    |     |
| 87   | 532194209 | SPRING      |        | 1    |     |
| 88   | 532410710 | SPRING      |        | 1    |     |
| 89   | 819191912 | WASHER      |        | 1    |     |
| 90   | 532194208 | PIN         |        | 1    |     |
| 91   | 532195181 | LINK        |        | 1    |     |
| 97   | 817000612 | SCREW       |        | 1    |     |
| 98   | 532195270 | LINK        |        | 1    |     |
| 100  | 873930600 | NUT         |        | 1    |     |
| 101  | 532407003 | LINK        |        | 1    |     |
|      | PART NO.  |             | REMARK |      | KIT |

