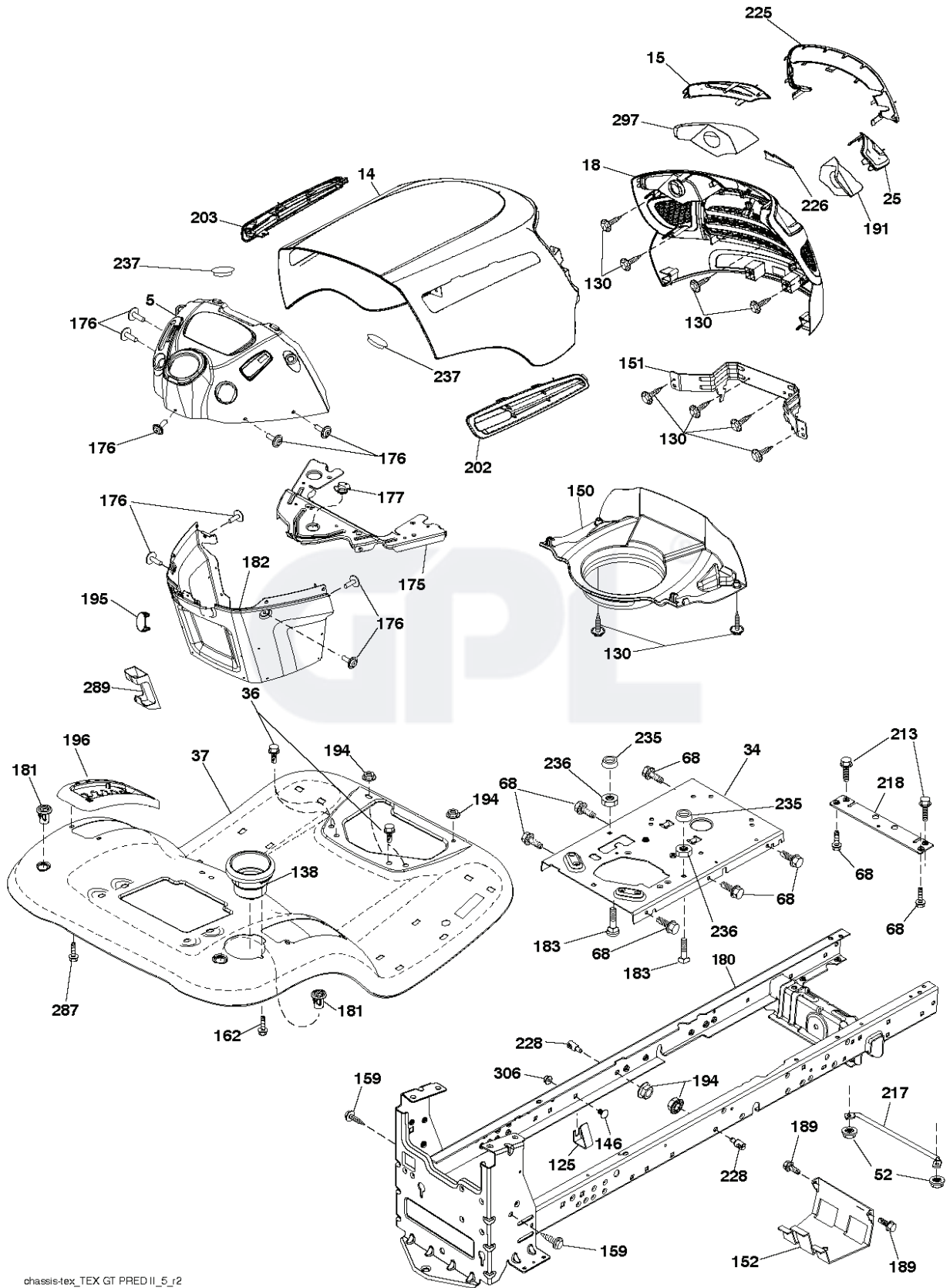


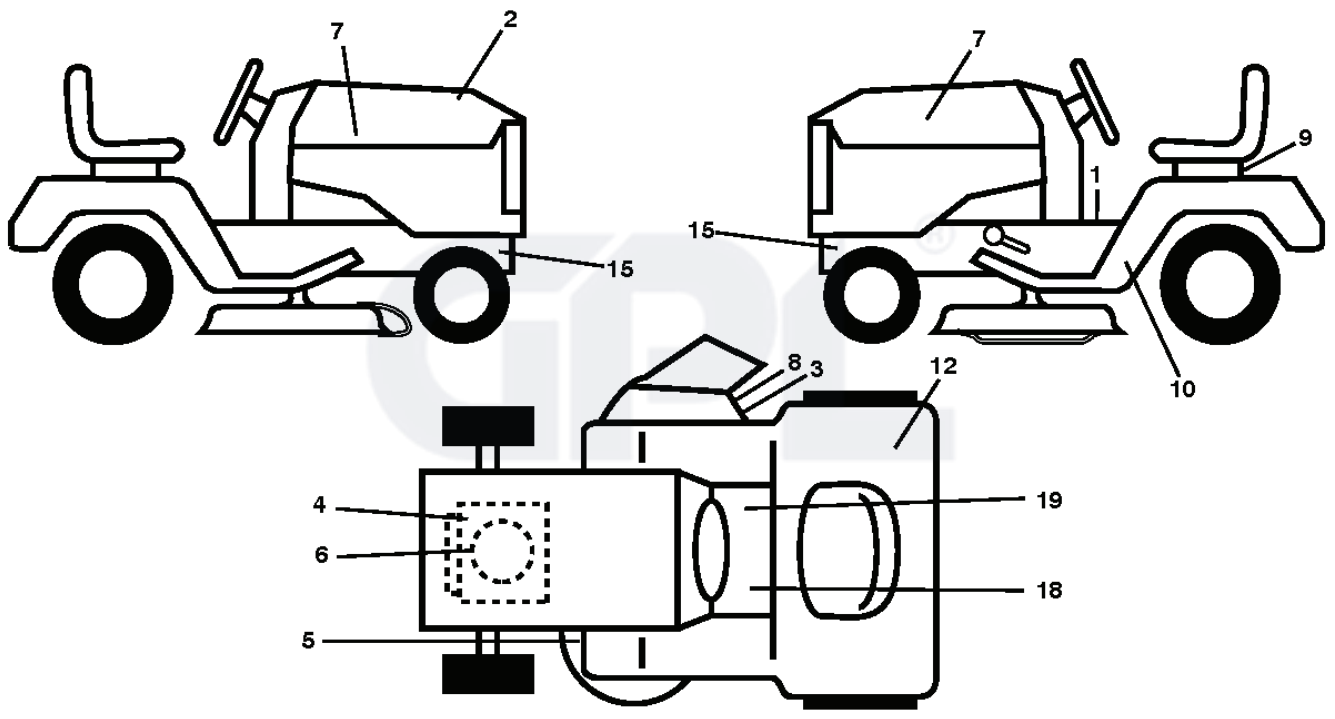
M185117T, 96041029601, 2013-01



SPARE PARTS LIST

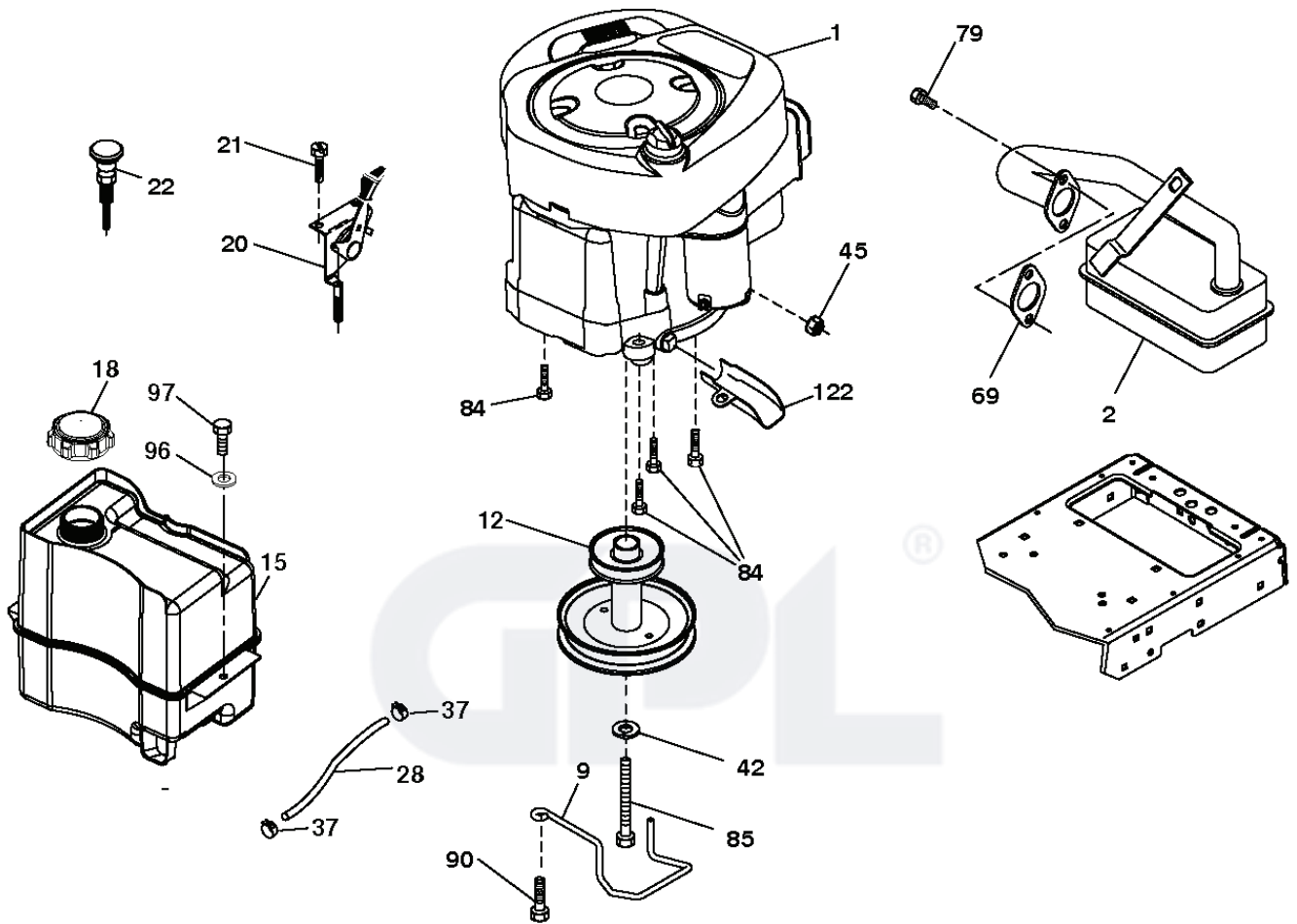


REF.	PART NO.	DESCRIPTION	REMARK	QTY.	KIT
5	532446639	DASH		1	
14	532448042	HOOD		1	
15	581103101	LENS		1	
18	581102901	GRILLE		1	
25	581103001	LENS		1	
34	580910801	CHASSIS		1	
36	817060512	SCREW		1	
37	532420796	FENDER		1	
52	873680500	NUT		1	
68	817490508	SCREW		1	
125	581684801	CLIP		1	
130	532416358	SCREW		1	
138	532409730	CONSOLE		1	
146	581857901	BOLT		1	
150	584862903	DUCT		1	
151	532445494	BRACKET		1	
152	532199535	SHIELD		1	
159	817000612	SCREW		1	
162	532142432	SCREW		1	
175	532196304	SUPPORT		1	
176	532400776	SCREW		1	
177	532195227	BUSHING		1	
180	532195457	CHASSIS		1	
181	532404796	BUSHING		1	
182	532406859	DASH		1	
183	874520520	BOLT		1	
189	817000512	SCREW		1	
191	581223501	REFLECTOR		1	
194	873900500	NUT		1	
195	532404137	TROU*RPLPAR 532401556428		1	
196	532414581	CONSOLE		1	
202	581859101	VENT		1	
203	581859201	VENT		1	
213	874760512	BOLT		1	
217	532409167	ROD		1	
218	532196395	PLATE		1	
225	581103201	TRIM		1	
226	578897101	DECAL		1	
228	532195161	STUD		1	
235	532406129	SPACER		1	
236	873930500	NUT		1	
237	532403704	PLUG		1	
287	817600406	SCREW		1	
289	532403571	HOLDER		1	
297	581223601	REFLECTOR		1	
306	873900600	NUT		1	
--	532441126	PLUG		1	
--	532400944	FRONT BUMPER *SUBS/2*		1	



REF.	PART NO.	DESCRIPTION	REMARK	QTY.	KIT
1	581578101	DECAL		1	
2	584220501	DECAL		1	
3	581579201	DECAL		1	
4	581579701	DECAL		1	
5	581580001	DECAL		1	
6	532437420	DECAL		1	
7	581091201	DECAL		1	
8	581579101	DECAL		1	
9	532145005	DECAL		1	
10	581533201	DECAL		1	
12	581724101	DECAL		1	
15	581579601	DECAL		1	
18	581724001	DECAL		1	
19	581578001	DECAL		1	
--	581724801	DECAL		1	
--	581724601	DECAL		1	
--	532409505	PAD		1	
--	532409507	PAD		1	





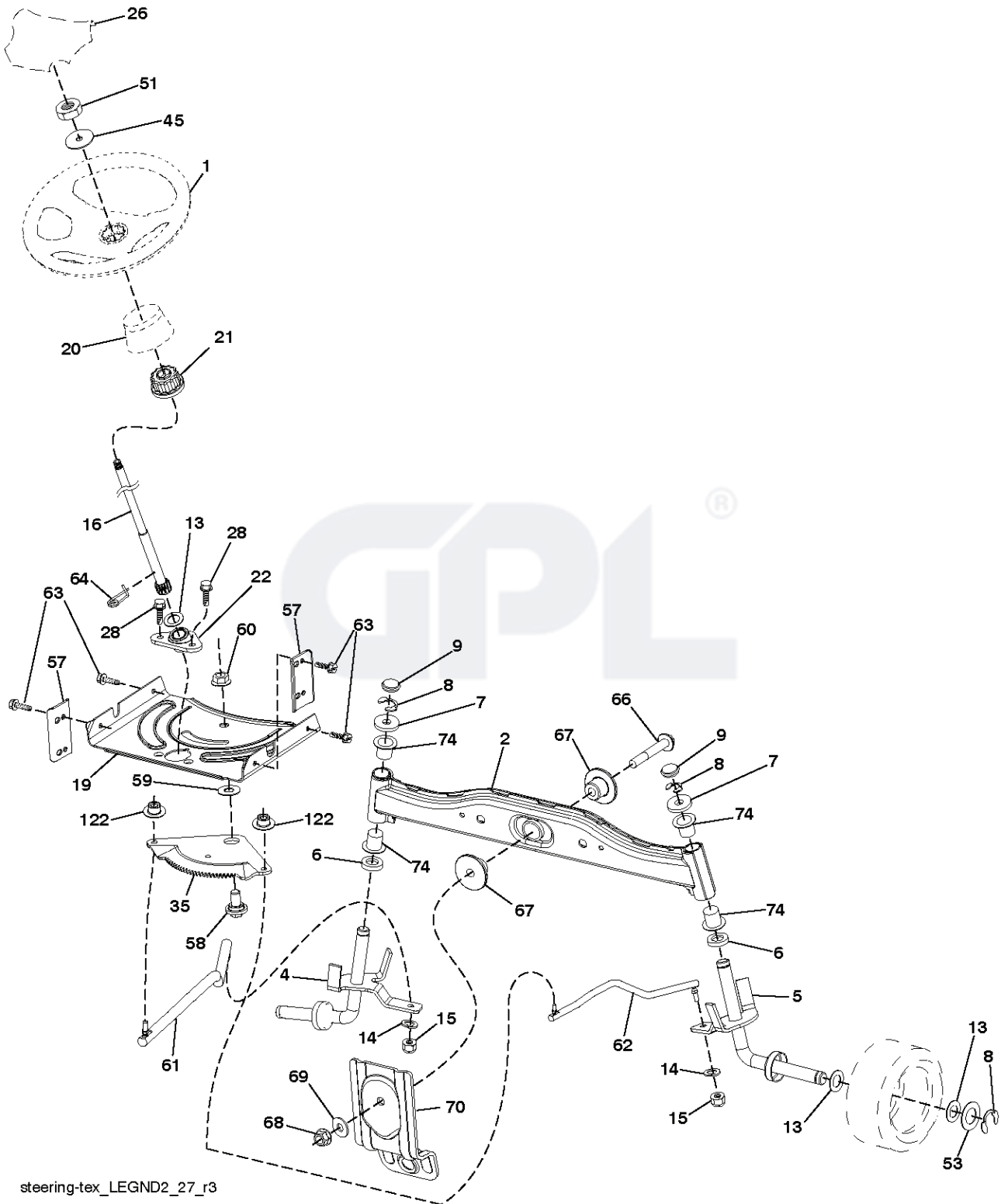
29

OPTIONAL EQUIPMENT

Spark Arrester

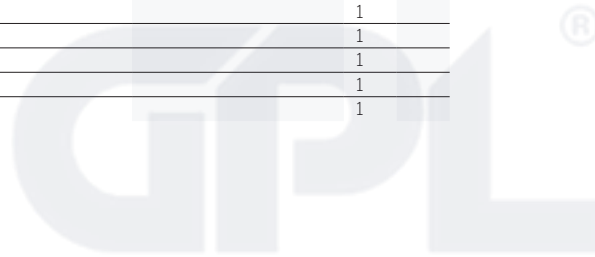
REF.	PART NO.	DESCRIPTION	REMARK	QTY.	KIT
1	000000000	W/O DESCRIPTION	ENGINE B&S MODEL NO. 31N707-2441-B1 (438156)	1	
2	532137352	MUFFLER		1	
9	532194320	BELT GUIDE		1	
12	532405472	PULLEY		1	
15	532430825	FUEL TANK		1	
18	532430220	FUEL CAP		1	
20	532401508	THROTTLE CONTROL		1	
21	532416358	SCREW		1	
22	532194981	CONTROL		1	
28	532137040	HOSE		1	
29	532137180	SPARK ARRESTER KIT		1	
37	532123487	HOSE CLAMP		1	
42	810040700	WASHER		1	
45	873510400	NUT		1	
69	532165291	GASKET		1	
79	532192334	SCREW		1	
84	817060620	SCREW		1	
85	532173937	BOLT		1	
90	817000616	SCREW		1	
96	819091416	WASHER		1	
97	817670412	SCREW		1	
122	532421922	EXTENSION PIPE		1	





steering-tex_LEGND2_27_r3

REF.	PART NO.	DESCRIPTION	REMARK	QTY.	KIT
1	532442804	STEERING WHEEL		1	
2	532418168	AXLE		1	
4	532403087	SPINDLE		1	
5	532403088	SPINDLE		1	
6	532124931	WASHER		1	
7	532121748	WASHER		1	
8	812000029	RETAINER RING		1	
9	532121232	HUB CAP		1	
13	532121749	WASHER		1	
14	810040600	WASHER		1	
15	873540600	NUT		1	
16	532194746	SHAFT		1	
19	532194729	PLATE		1	
20	532411425	STEERING COLUMN		1	
21	532186737	ADAPTER		1	
22	532420537	SUPPORT		1	
26	532447759	CAP		1	
28	817000612	SCREW		1	
35	532194732	PLATE		1	
45	819183812	WASHER		1	
51	873940800	NUT		1	
53	532188967	WASHER		1	
57	532407465	BRACKET		1	
58	532194747	BOLT		1	
59	532194748	WASHER		1	
60	873971000	NUT		1	
61	532194740	LINK		1	
62	532194741	LINK		1	
63	817000512	SCREW		1	
64	532199849	SPRING RETAINER		1	
66	871020748	BOLT		1	
67	532194737	BUSHING		1	
68	873900700	NUT		1	
69	532199162	WASHER		1	
70	532196197	BRACKET		1	
74	532124937	BEARING COL. STRG.		1	
122	532444962	CAP		1	

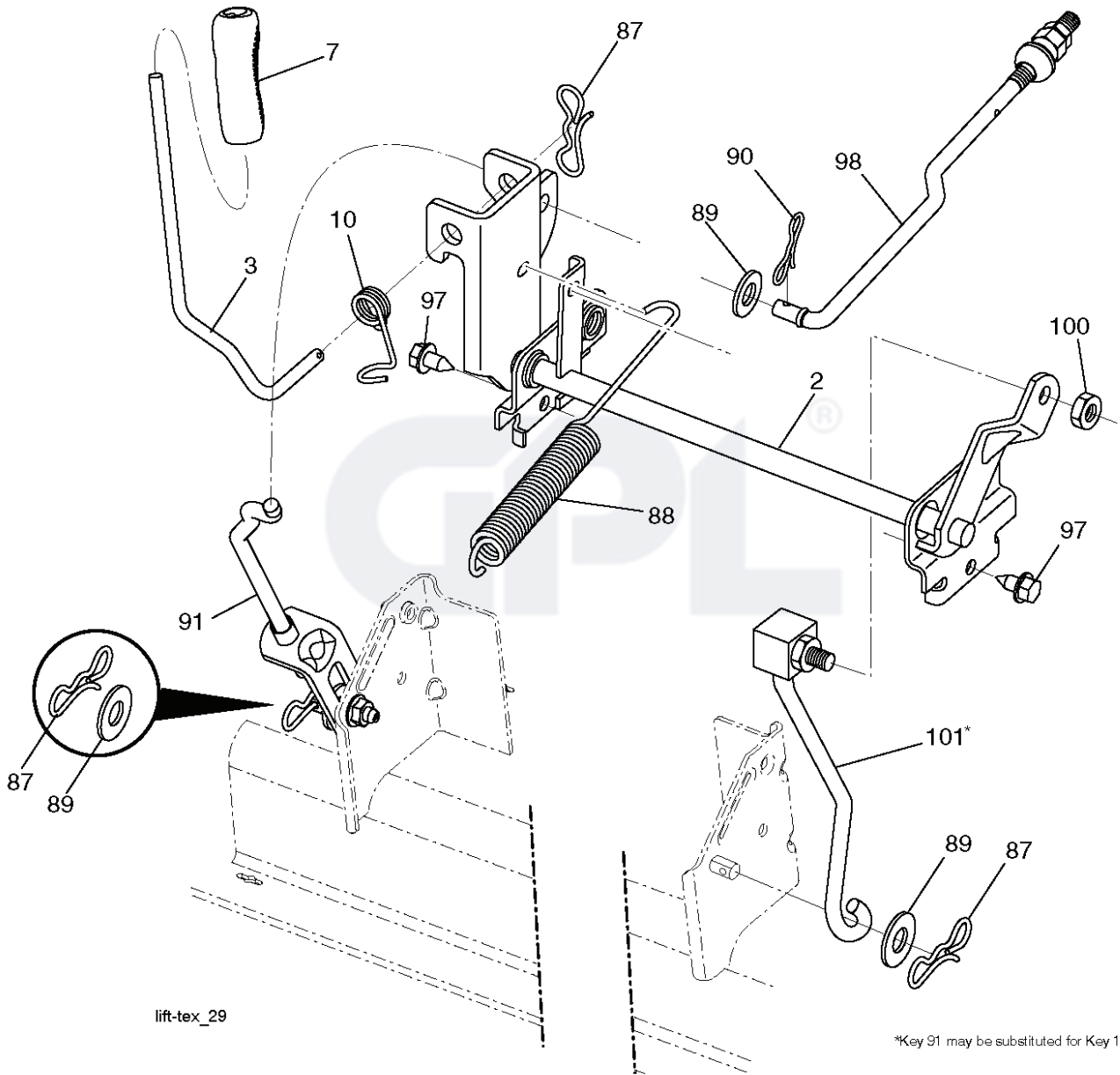


REF.	PART NO.	DESCRIPTION	REMARK	QTY.	KIT
1	000000000	W/O DESCRIPTION	TRANSAXLE TUFFTORQ K46BT (426120)	1	
2	532123583	KEY		1	
15	819131316	WASHER		1	
17	532413678	SRPING.BRAKE.K46.GREEN*SUBS/2*		1	
29	532403806	ROD		1	
33	812000001	RETAINER RING		1	
35	583864501	ROD		1	
42	532124872	PEDAL RUBBER		1	
49	872110614	BOLT		1	
50	532194327	PULLEY		1	
51	873680600	NUT		1	
52	532194326	PULLEY		1	
56	532130969	BELT		1	
64	532197865	SHAFT		1	
73	874490540	BOLT		1	
80	532440619	STRAP		1	
99	532415742	ROD		1	
116	873900500	NUT		1	
125	817000512	SCREW		1	
143	817490508	SCREW		1	
153	532124788	RETAINER RING		1	
159	876020412	SPLIT PIN		1	
160	532169484	PIN		1	
161	532105709	SPRING		1	
163	532448275	CONTROL		1	
166	532429164	NUT		1	
167	532405257	LATCH		1	
170	532194322	KEEPER		1	
171	872110616	BOLT		1	
183	532137057	SPACER		1	
184	532441455	HANDLE		1	
185	872110622	BOLT		1	
186	532194321	SPACER		1	
187	819133210	WASHER		1	
188	532194323	LINK		1	
189	532194317	PLATE		1	
190	532194318	BELT GUIDE		1	
205	532121748	WASHER		1	
210	532400980	PEDAL ARM		1	
211	532120183	BEARING		1	
214	532421263	PAD		1	
215	532448254	PAD		1	
216	532196131	BRACKET		1	
221	532403187	SPRING		1	
222	879212010	WASHER		1	
225	532403319	BELT GUIDE		1	
226	532401564	BRACKET		1	
227	817490512	SCREW		1	
230	532188967	WASHER		1	
263	817000612	SCREW		1	
268	532182402	PROTECTOR		1	
275	819131614	WASHER		1	

REF.	PART NO.	DESCRIPTION	REMARK	QTY.	KIT
1	532163465	BATTERY		1	
2	874760412	BOLT		1	
8	532193228	BOX		1	
16	532176138	MICRO SWITCH		1	
21	532400252	HARNESS		1	
22	532004152	BULB		1	
25	581498001	CABLE		1	
26	532175158	FUSE		1	
27	873510400	NUT		1	
28	532421686	CABLE		1	
29	532401545	SWITCH		1	
30	532193350	IGNITION MODULE		1	
33	532411935	KEY		1	
34	532110712	SWITCH		1	
40	581023101	HARNESS		1	
43	532192507	SOLENOID		1	
55	817060512	SCREW		1	
71	581023001	HARNESS		1	
79	532175242	HOLDER		1	
87	532197802	SWITCH		1	
90	532435395	TERMINAL COVER		1	
99	817670412	SCREW		1	
102	532404454	CABLE		1	
105	532407568	SWITCH		1	
106	532174814	NUT		1	



REF.	PART NO.	DESCRIPTION	REMARK	QTY.	KIT
1	532448136	MOWER		1	
2	532405507	COVER		1	
3	532405506	COVER		1	
4	874760512	BOLT		1	
6	532195186	ARM		1	
7	532416358	SCREW		1	
8	532193003	SCREW		1	
11	532405380	RIDE ON BLADE		1	
13	532192872	SHAFT ASSY		1	
14	532187281	BEARING HOUSING		1	
15	532110485	BEARING		1	
19	532196539	BOLT		1	
21	873680500	NUT		1	
23	532192557	HINGE		1	
24	532105304	HUB CAP		1	
25	532197026	TORSION SPRING		1	
26	532110452	NUT		1	
27	532405357	DEFLECTOR		1	
29	532131491	SHAFT		1	
30	532173984	SCREW		1	
31	532187690	WASHER		1	
32	532197473	PULLEY		1	
33	532400234	NUT		1	
34	872110612	BOLT		1	
36	532197379	PULLEY		1	
37	819131316	WASHER		1	
38	532432520	KEEPER		1	
40	873900600	NUT		1	
42	532198410	SPRING		1	
43	532197256	SPRING		1	
46	532137729	SCREW		1	
47	532197250	BRACKET		1	
55	532197249	ARM		1	
56	532199092	SPACER		1	
57	817000616	SCREW		1	
59	532141043	GUARD		1	
60	532199471	ARM		1	
63	532199477	ARM		1	
64	532405138	LINKAGE.ASM.BRAKE.RAW *SUBS/2*		1	
67	532403012	HANDLE		1	
68	532405143	BELT		1	
69	872140505	BOLT		1	
70	532199972	CLUTCH ASSY		1	
113	817000510	BOLT		1	
116	532193406	BOLT		1	
117	532174873	WHEEL		1	
119	819132012	WASHER		1	
122	532197258	BELT GUIDE		1	
123	532197259	BELT GUIDE		1	
144	532199204	BELT GUIDE		1	
145	532193197	PULLEY		1	
147	532401872	SPRING		1	
152	584243501	CABLE		1	
188	532195161	STUD		1	
189	873900500	NUT		1	
195	817000612	SCREW		1	
197	819131312	WASHER		1	
198	532403149	PLATE		1	
199	532403150	PLATE		1	
200	532413524	WASHER		1	
240	874520636	BOLT		1	
241	532152927	SCREW		1	
242	532415598	HOSE COUPLING		1	
--	532192870	SPINDLE	Mandrel Assembly (Includes Housing (Key # 14) , Shaft Assembly (key # 13) and Bearing Only (Key # 15) - Pulley/Nut/Washer and Blade Bolt/Washers Not Included)	1	
--	532434590	CUTTING DECK		1	

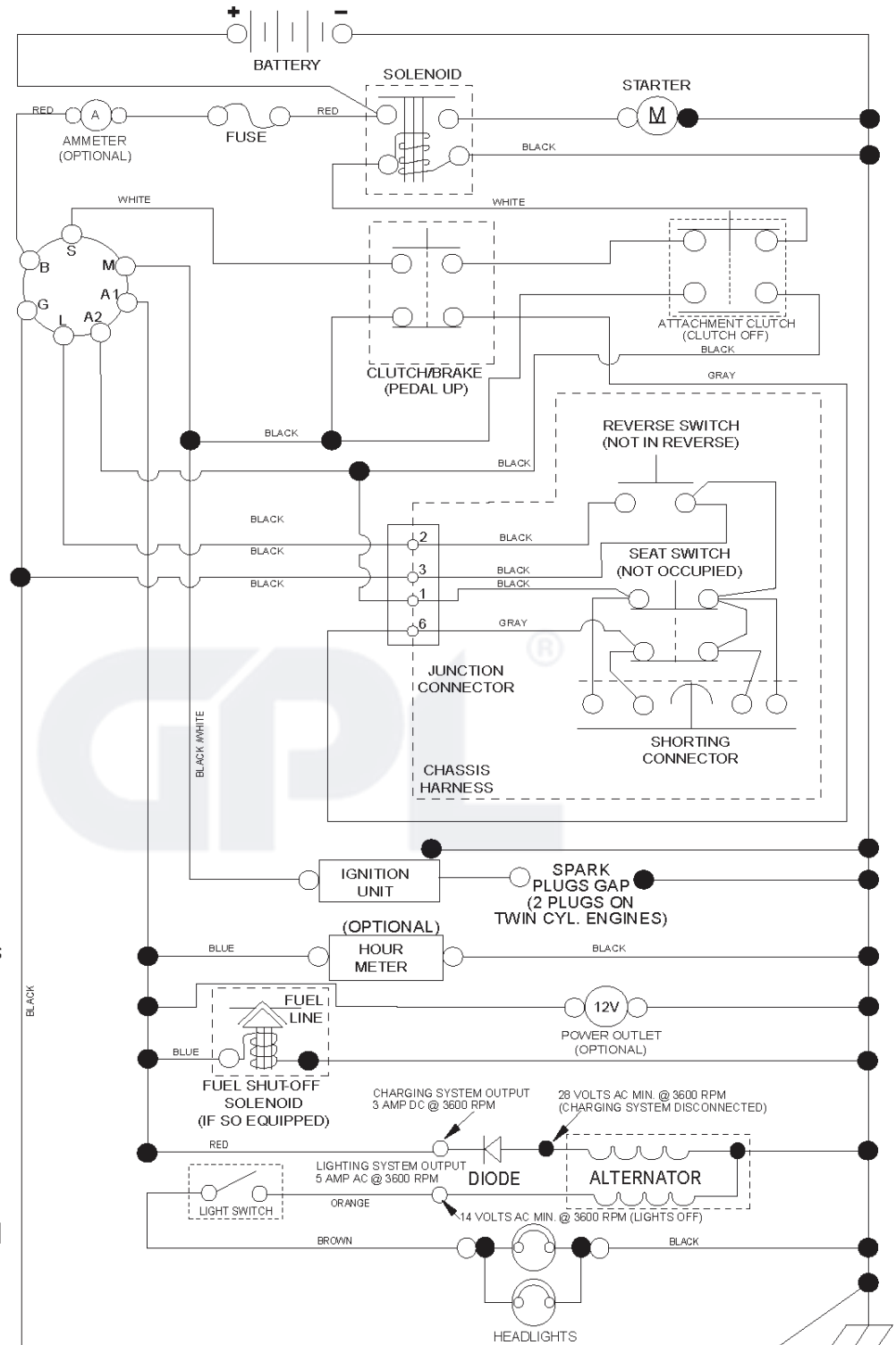


lift-tex_29

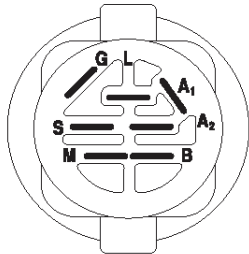
*Key 91 may be substituted for Key 101

REF.	PART NO.	DESCRIPTION	REMARK	QTY.	KIT
2	532422027	SHAFT		1	
3	532195231	LEVER		1	
7	580962301	GRIP		1	
10	532196314	SPRING		1	
87	532194209	SPRING		1	
88	532410710	SPRING		1	
89	819191912	WASHER		1	
90	532194208	PIN		1	
91	532195181	LINK		1	
97	817000612	SCREW		1	
98	532195270	LINK		1	
100	873930600	NUT		1	
101	532407003	LINK		1	

GPL®

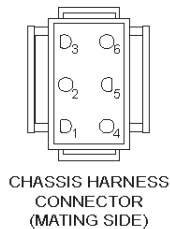


NOTE
 YOUR TRACTOR IS EQUIPPED WITH A SPECIAL ALTERNATOR SYSTEM. THE LIGHTS ARE NOT CONNECTED TO THE BATTERY, BUT HAVE THEIR OWN ELECTRICAL SOURCE. BECAUSE OF THIS, THE BRIGHTNESS OF THE LIGHTS WILL CHANGE WITH ENGINE SPEED. AT IDLE THE LIGHTS WILL DIM. AS THE ENGINE IS SPEEDED UP, THE LIGHTS WILL BECOME THEIR BRIGHTEST.

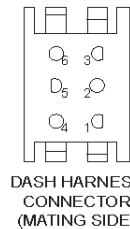


IGNITION SWITCH

POSITION	CIRCUIT "MAKE"
OFF	M+G+A1
RUN/OVERRIDE	B+A1
RUN	B+A1 L+A2
START	B + S + A1

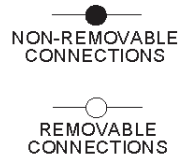


CHASSIS HARNESS CONNECTOR (MATING SIDE)



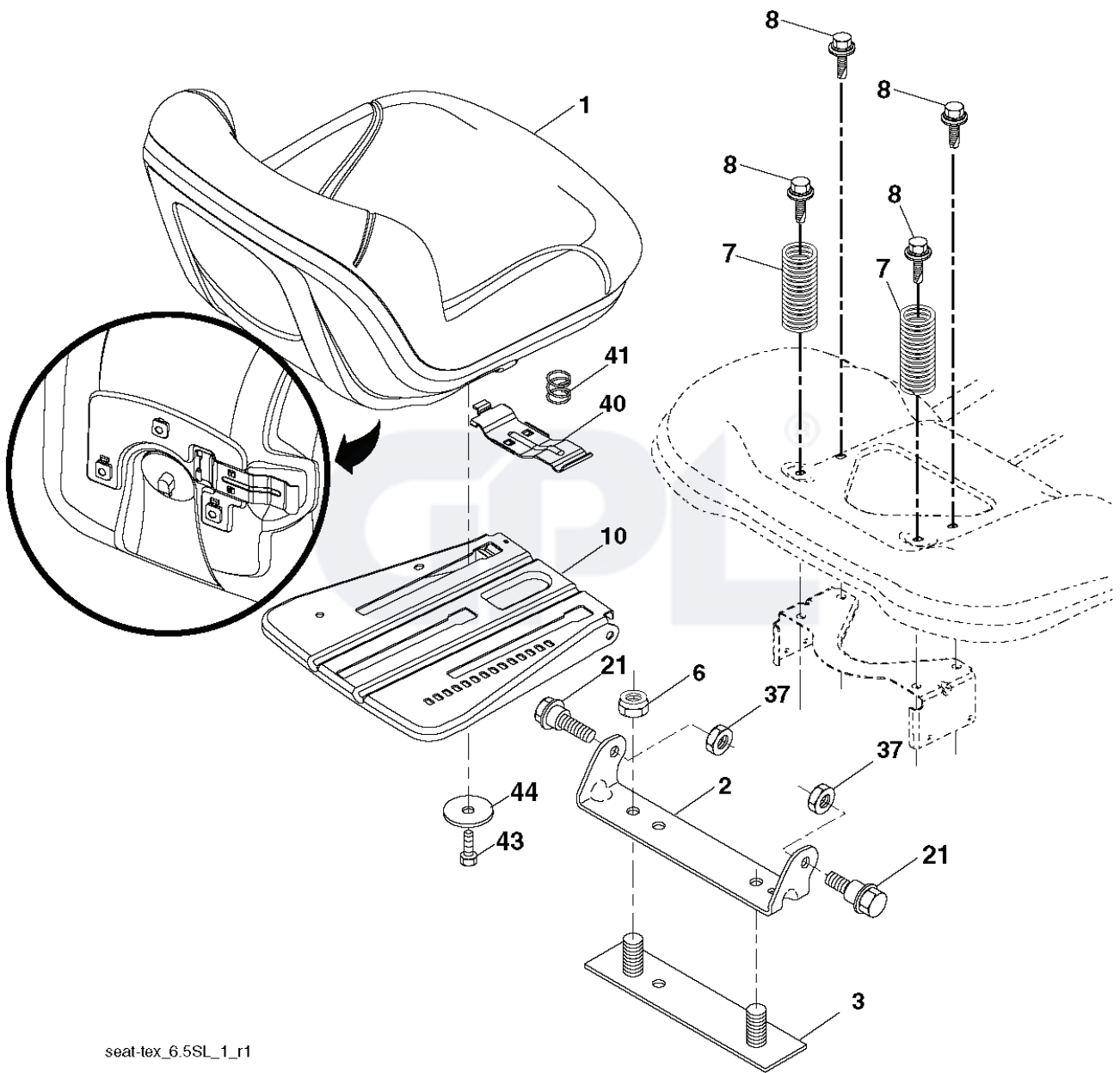
DASH HARNESS CONNECTOR (MATING SIDE)

WIRING INSULATED CLIPS
 NOTE: IF WIRING INSULATED CLIPS WERE REMOVED FOR SERVICING OF UNIT, THEY SHOULD BE RE-INSTALLED TO PROPERLY SECURE YOUR WIRING.



NON-REMOVABLE CONNECTIONS

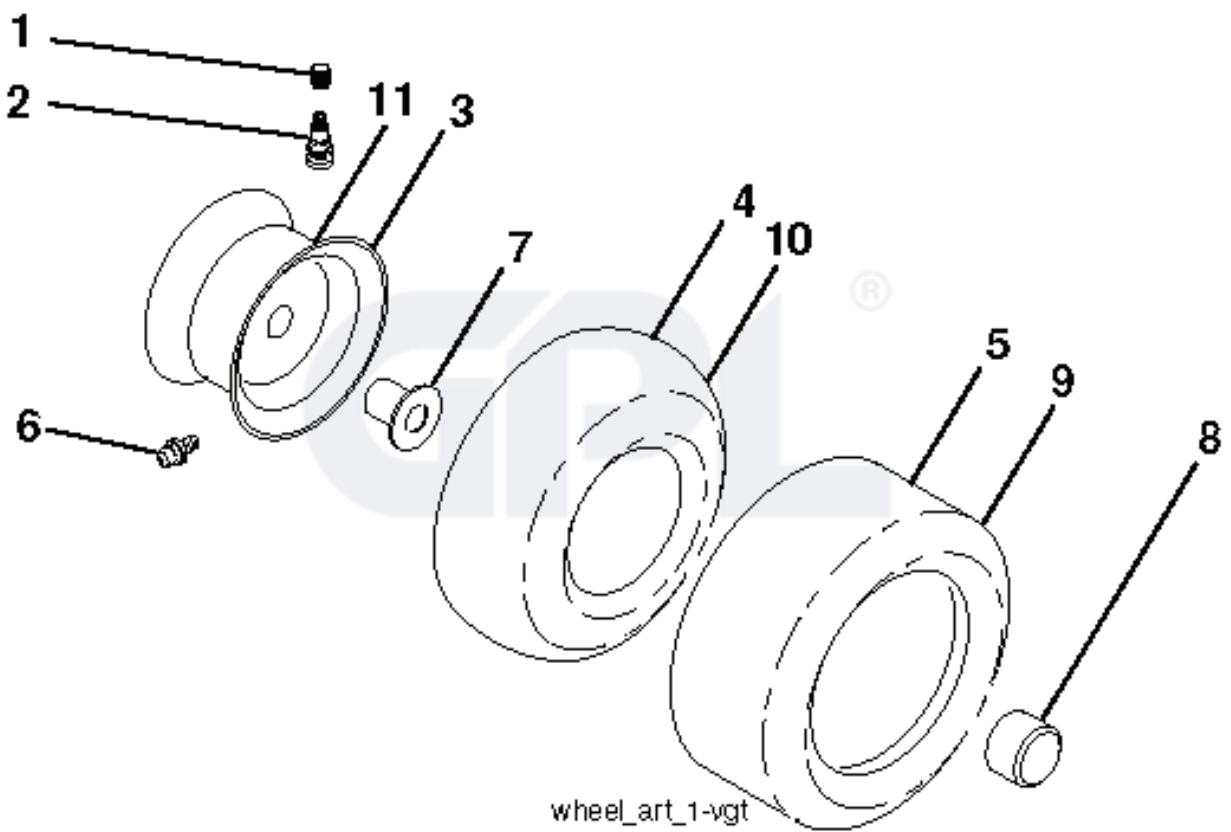
REMOVABLE CONNECTIONS



seat-tex_6.5SL_1_r1

REF.	PART NO.	DESCRIPTION	REMARK	QTY.	KIT
1	581462201	SEAT		1	
2	532180166	BRACKET		1	
3	532140675	STRAP		1	
6	873800600	NUT		1	
7	532124181	SPRING		1	
8	532171877	BOLT		1	
10	532196977	PLATE		1	
21	532171852	BOLT		1	
37	873800500	LOCK NUT		1	
40	532197661	HANDLE		1	
41	532198200	SPRING		1	
43	874760612	BOLT		1	
44	819133812	WASHER		1	





wheel_art_1-vgt

REF.	PART NO.	DESCRIPTION	REMARK	QTY.	KIT
1	532059192	CAP VALVE		1	
2	532065139	NIPPLE		1	
3	532125121	RIM	FRONT	1	
4	532059904	HOSE	(Service Item Only)	1	
5	532106222	TIRE	FRONT	1	
6	532124957	FITTING	(Front Wheel Only)	1	
7	532124959	BEARING	(Front Wheel Only)	1	
8	532193268	HUB CAP		1	
9	532138468	TIRE	REAR	1	
10	532124926	HOSE	(Service Item Only)	1	
11	532125122	RIM	REAR	1	
--	532144334	SEALING FOAM		1	
	PART NO.		REMARK		KIT

