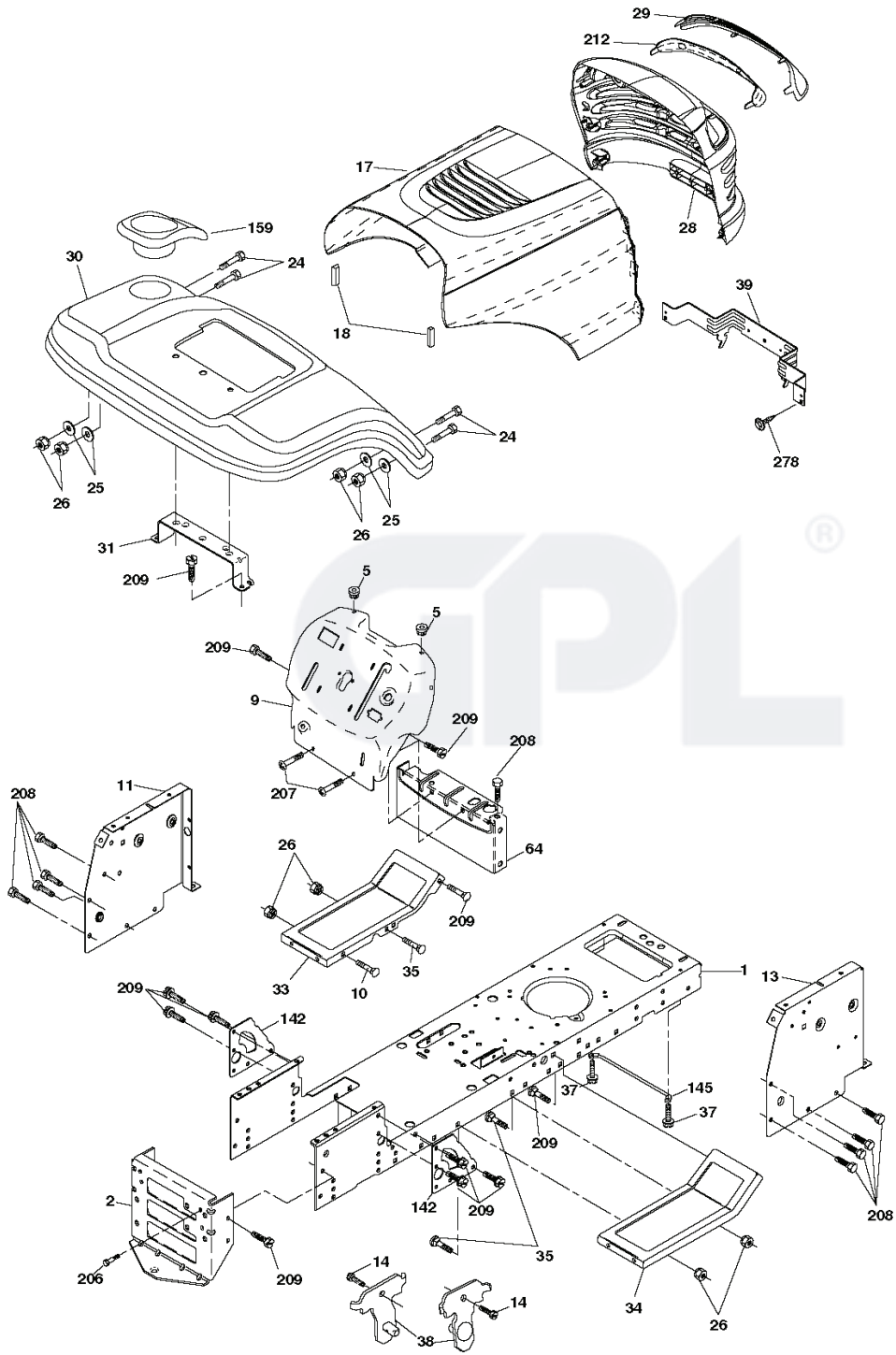


MC17107, 96011008400, 2010-01



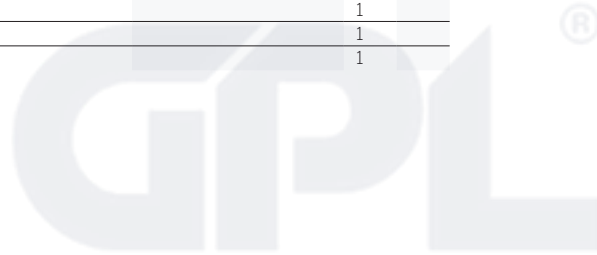
SPARE PARTS LIST

**TRACTOR - - MODEL NO. MC17107 (96011008400), PRODUCT NO. 960 11 00-84
CHASSIS**

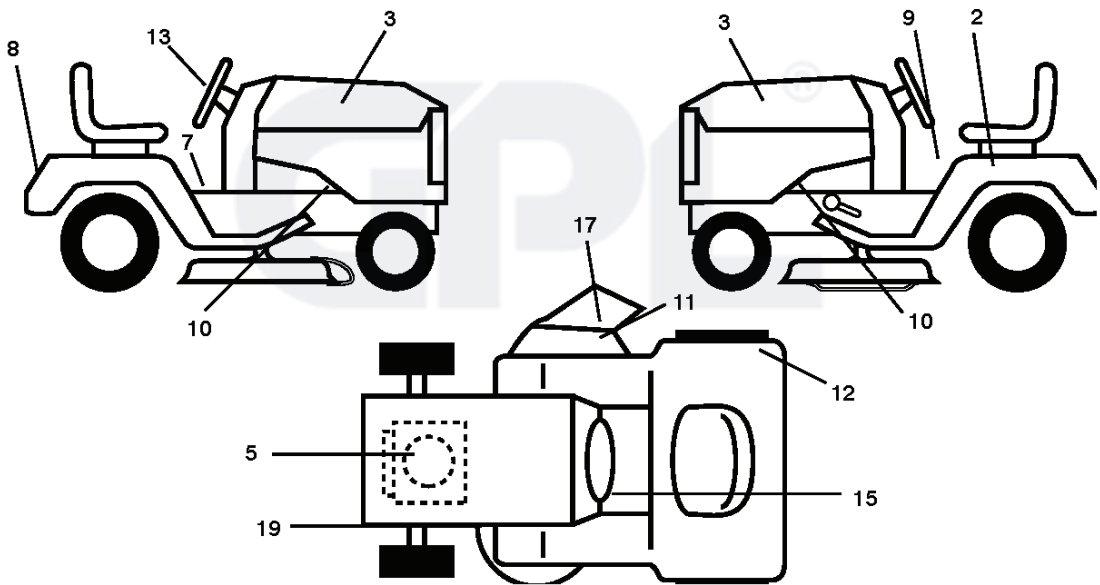


chassis_elite value_stlt_3

REF.	PART NO.	DESCRIPTION	REMARK	QTY.	KIT
1	532174619	FRAME		1	
2	532176554	PLATE		1	
5	532155272	DAMPER		1	
9	532191116	DASH		1	
10	872140608	BOLT		1	
11	532174996	DASHBOARD		1	
13	532186952	PANEL DASH RH		1	
14	817490608	SCREW		1	
17	532186580	HOOD LT/PL		1	
18	532184921	BUMPER		1	
24	874780616	BOLT		1	
25	819131312	WASHER		1	
26	873800600	NUT		1	
28	532183552	GRILLE/LENS ASM.		1	
29	532185846	LENS GRILLE		1	
30	532194589	FENDER		1	
31	532136619	ROD		1	
33	532182507	FOOT REST, LH		1	
34	532182508	FOOT REST, RH		1	
35	872110606	BOLT		1	
37	817490508	SCREW		1	
38	532175710	BRACKET		1	
39	532174714	BRACKET PIVOT LASER LT		1	
64	532154798	PANEL		1	
142	532175702	PLATE		1	
145	532156524	SHAFT		1	
159	532185635	HOLDER		1	
206	532170165	BOLT		1	
207	817670508	SCREW		1	
208	817670608	SCREW		1	
209	817000612	SCREW		1	
212	532183550	INSERT LENS REFLECTIVE		1	
278	532191611	SCREW		1	
--	532005479	PLUG		1	
--	532193935	PLUG		1	



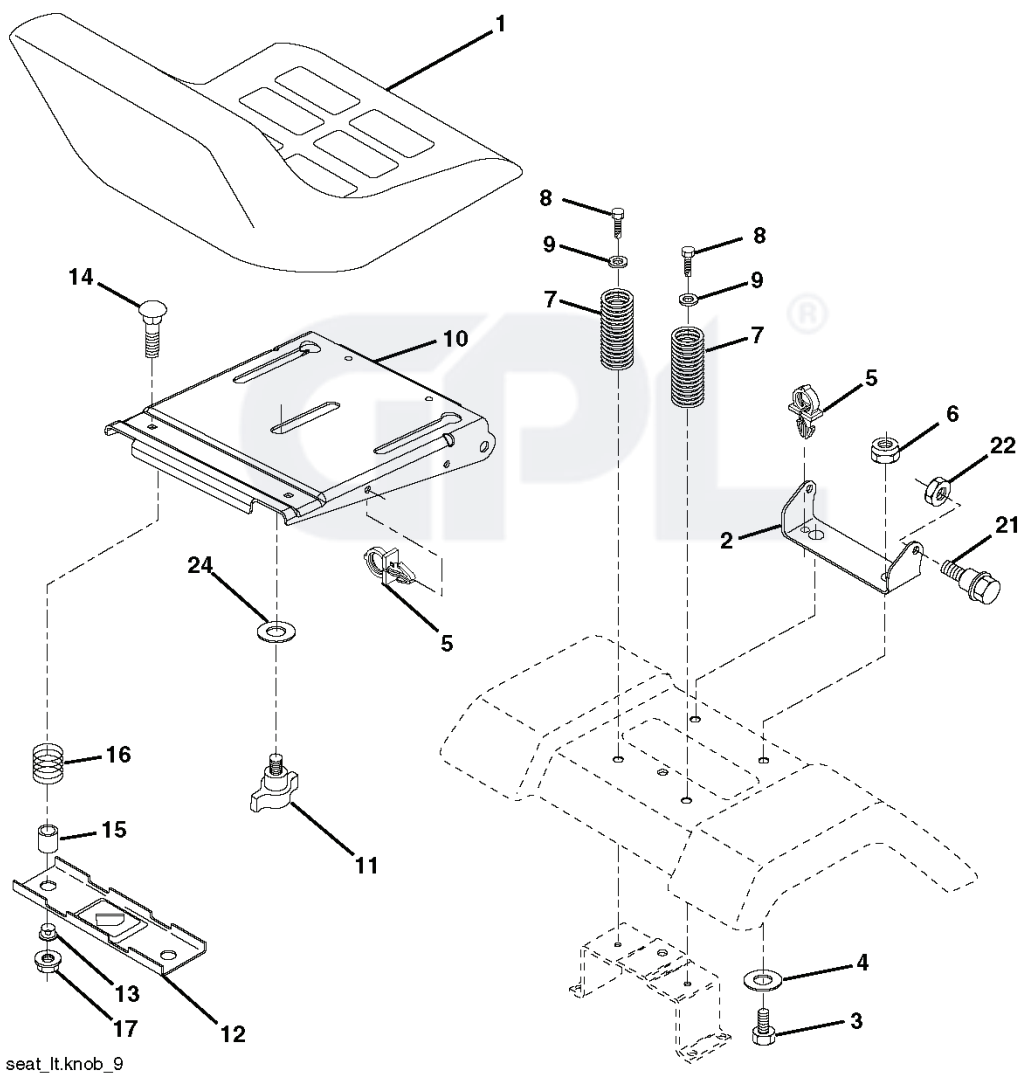
**TRACTOR -- MODEL NO. MC17107 (96011008400), PRODUCT NO. 960 11 00-84
DECALS**



REF.	PART NO.	DESCRIPTION	REMARK	QTY.	KIT
2	532145005	DECAL		1	
3	532189691	DECAL.CAPOT		1	
5	532198082	DECALC.VOLUTE MOTEUR		1	
7	532140837	DECAL		1	
8				1	
9	532145498	DECAL		1	
10	532159736	DECAL		1	
11	532182166	DECAL		1	
12	532180432	DECAL		1	
13				1	
15	532159737	DECAL		1	
17	532179128	DECAL		1	
19	532160396	DECAL		1	
--	532162598	DECAL		1	
--	532138311	DECAL		1	
--	532181090	PLATE		1	
--	532181091	PLATE		1	
--				1	

GPL®

TRACTOR - - MODEL NO. MC17107 (96011008400), PRODUCT NO. 960 11 00-84
SEAT

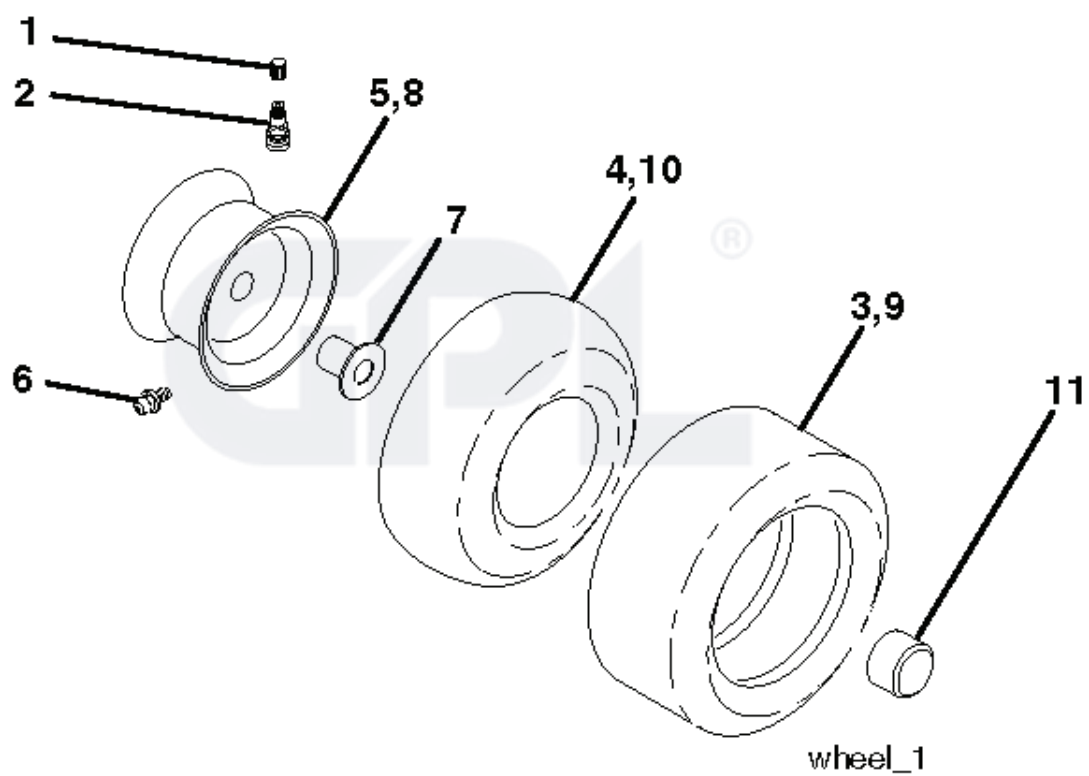


seat_lt.knob_9

REF.	PART NO.	DESCRIPTION	REMARK	QTY.	KIT
1	532188705	SEAT		1	
2	532180166	BRACKET		1	
3	871110616	SCREW		1	
4	819131610	WASHER		1	
5	532145006	CLIP		1	
6	873800600	NUT		1	
7	532124181	SPRING		1	
8	817000616	SCREW		1	
9	819131614	WASHER		1	
10	532180186	PLATE		1	
11	532166369	WING NUT		1	
12	532121246	BRACKET		1	
13	532121248	BUSHING		1	
14	872050412	BOLT		1	
15	532134300	SPACER		1	
16	532121250	SPRING		1	
17	532123976	LOCKNUT		1	
21	532171852	BOLT		1	
22	873800500	LOCK NUT		1	
24	819171912	WASHER		1	



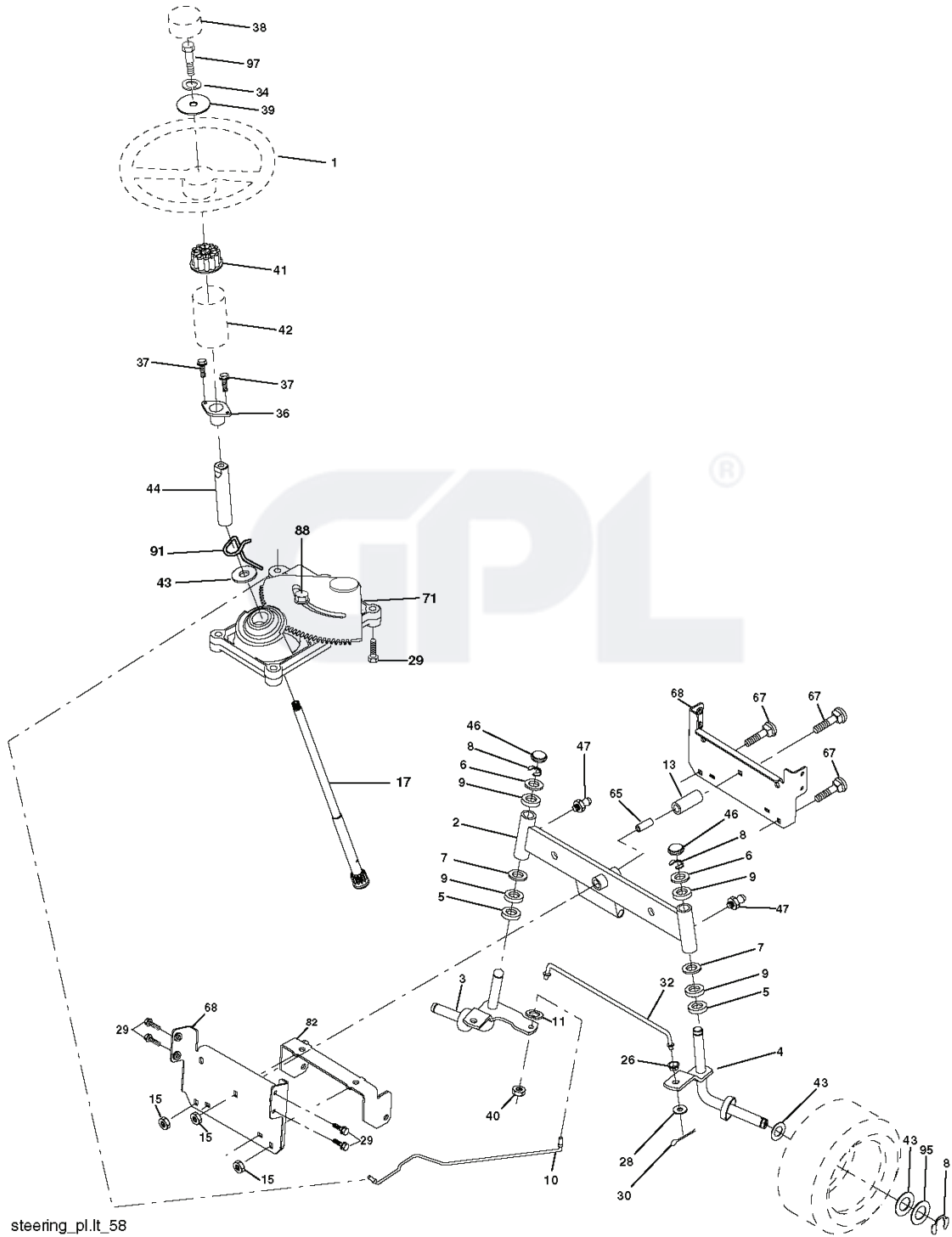
WHEELS & TIRES



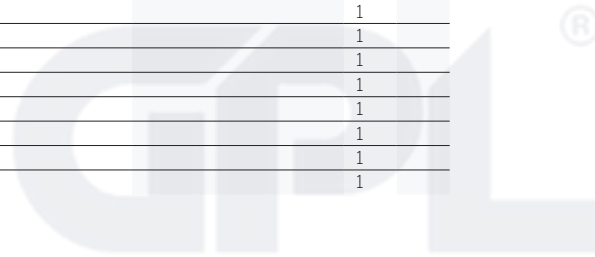
REF.	PART NO.	DESCRIPTION	REMARK	QTY.	KIT
1	532059192	CAP VALVE		1	
2	532065139	NIPPLE		1	
3	532106222	TIRE		1	
4	532059904	HOSE		1	
5	532183337	RIM		1	
6	532124957	FITTING		1	
7	532124959	BEARING		1	
8	532183338	RIM ASSY		1	
9	532106268	TIRE		1	
10	532124926	HOSE		1	
11	532175039	HUB CAP		1	



TRACTOR - - MODEL NO. MC17107 (96011008400), PRODUCT NO. 960 11 00-84
STEERING



REF.	PART NO.	DESCRIPTION	REMARK	QTY.	KIT
1	532186780	STEERING WHEEL		1	
2	532175131	AXLE		1	
3	532169840	SPINDLE		1	
4	532169839	SPINDLE		1	
5	532124931	WASHER		1	
6	532121748	WASHER		1	
7	819272016	WASHER		1	
8	812000029	RETAINER RING		1	
9	532124937	BEARING COL. STRG.		1	
10	532175121	ROD		1	
11	810040600	WASHER		1	
13	532136518	PIPE		1	
15	532145212	NUT		1	
17	532190753	ROD		1	
26	532126847	BUSHING		1	
28	819131416	WASHER		1	
29	817000612	SCREW		1	
30	876020412	SPLIT PIN		1	
32	532192757	TIGE D'ASSEMBLAGE		1	
34	810040500	WASHER		1	
36	532155099	BUSHING		1	
37	532152927	SCREW		1	
38	532192916	INSERT DE VOLANT		1	
39	819113812	WASHER		1	
40	873540600	NUT		1	
41	532186737	ADAPTER		1	
42	532169633	SLEEVE		1	
43	532121749	WASHER		1	
44	532190752	SHAFT		1	
46	532121232	HUB CAP		1	
47	532183226	FITTING		1	
65	532160367	SPACER		1	
67	872140618	BOLT		1	
68	532169827	SHAFT		1	
71	532175146	STEERING GEAR		1	
82	532169835	BRACKET		1	
88	532175118	BOLT		1	
91	532175553	SPRING		1	
95	532188967	WASHER		1	
97	874780564	BOLT		1	

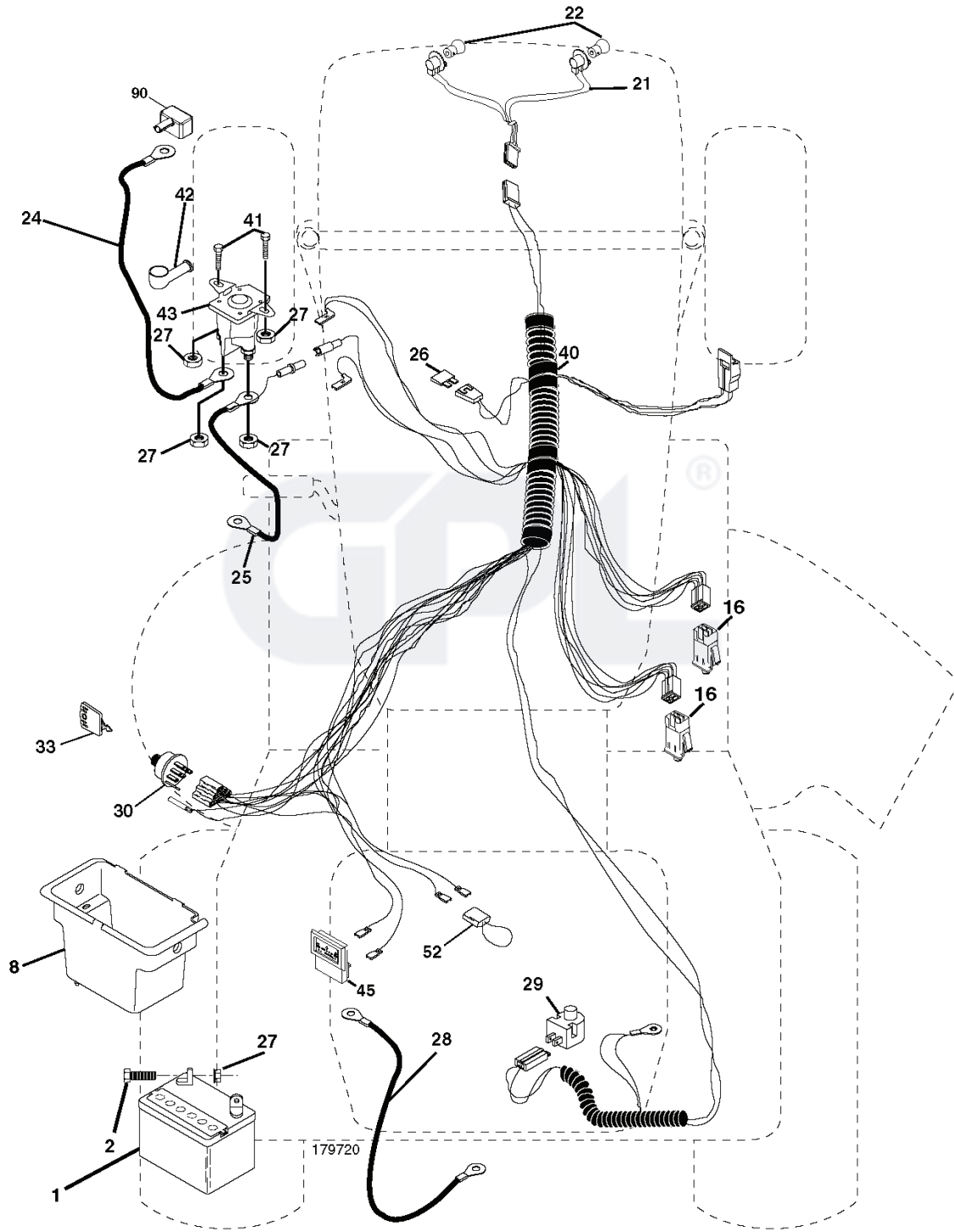


REF.	PART NO.	DESCRIPTION	REMARK	QTY.	KIT
1				1	
2	532146682	SPRING		1	
3	532123666	PULLEY		1	
4	812000028	CLIP		1	
5	532121520	BRACKET		1	
6	817060512	SCREW		1	
8	532192706	LEVER		1	
10	876020416	SPLIT PIN		1	
11	532105701	WASHER		1	
13	874550412	BOLT		1	
14	810040400	WASHER		1	
15	874490544	SCREW		1	
16	873800500	LOCK NUT		1	
18	874780616	BOLT		1	
19	873800600	NUT		1	
21	532106933	KNOB		1	
22	532130804	ROD		1	
24	873350600	NUT		1	
25	532106888	SPRING		1	
26	819131316	WASHER		1	
27	876020412	SPLIT PIN		1	
28	532175765	SHAFT		1	
29	532071673	COVER		1	
30	532174973	BRACKET		1	
32	874760512	BOLT		1	
34	532175578	SHAFT		1	
35	532120183	BEARING		1	
36	819211616	WASHER		1	
37	532124963	PIN RETAINING SCREW		1	
38	532179114	PULLEY		1	
39	872110622	BOLT		1	
41	532175556	BELT GUIDE		1	
47	532127783	PULLEY		1	
48	532154407	GUIDE		1	
49	532123205	BELT GUIDE		1	
50	872110612	BOLT		1	
51	873680600	NUT		1	
52	873680500	NUT		1	
53	532105710	LINK		1	
55	532105709	SPRING		1	
56	817060620	SCREW		1	
57	532130801	V-BELT		1	
59	532169691	BELT GUIDE		1	
61	817120614	SCREW		1	
62	532124872	PEDAL RUBBER		1	
63	532180219	PULLEY		1	
64	532173937	BOLT		1	
65	810040700	WASHER		1	
66	532154778	TENSIONER		1	
69	532142432	SCREW		1	
70	532180218	BELT GUIDE		1	
74	532137057	SPACER		1	
75	532121749	WASHER		1	
76	812000001	RETAINER RING		1	
77	532123583	KEY		1	
78	532121748	WASHER		1	
79	532125096	WOODRUFF KEY		1	
80	532131486	ROD		1	
81	532165594	SHAFT		1	
82	532165711	SPRING		1	
83	819171216	WASHER		1	
84	532166228	LINK		1	
85	532150360	NUT		1	
89	532194971	CONSOLE SHIFT LT		1	
96	532183043	CONSOLE SHIFT LT		1	
112	819091210	WASHER		1	
113	532127285	BRACKET		1	
116	872140608	BOLT		1	
120	873900600	NUT		1	
150	532175456	SPACER		1	
151	819133210	WASHER		1	
156	532166002	WASHER		1	
158	532165589	BRACKET		1	
159	532183900	LEVER		1	
161	872140406	BOLT		1	
162	873680400	NUT		1	
163	874780416	BOLT		1	
165	532165623	BRACKET		1	

REF.	PART NO.	DESCRIPTION	REMARK	QTY.	KIT
166	817490510	SCREW		1	
168	532165492	BOLT		1	
169	532165580	RETAINER		1	
170	532187414	KEEPER		1	
197	532169613	SLEEVE		1	
198	532169593	WASHER		1	
202	872110614	BOLT		1	
212	532145212	NUT		1	
263	817000612	SCREW		1	
268	532182402	PROTECTOR		1	
275	819131614	WASHER		1	

GPL®

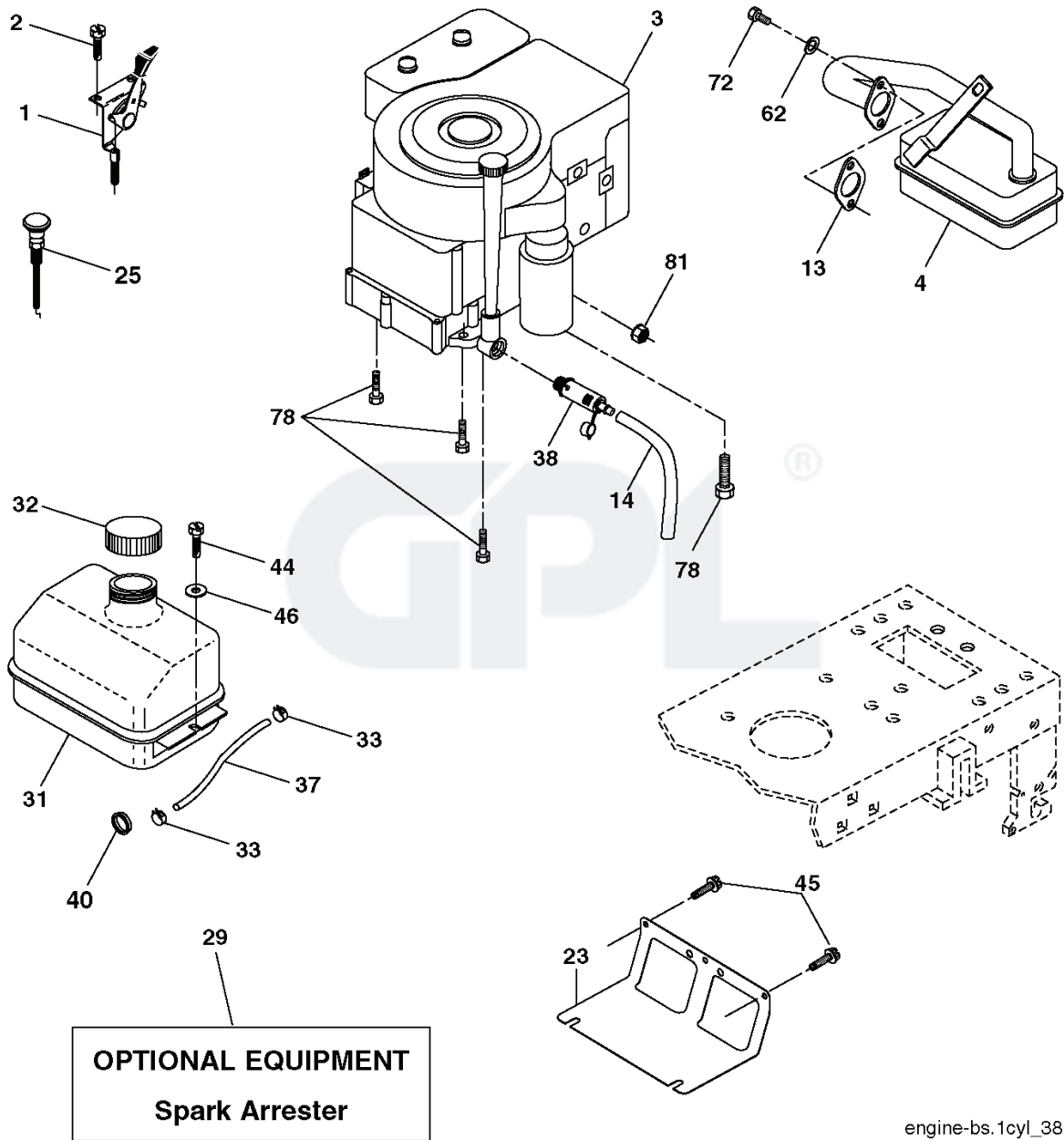
TRACTOR - - MODEL NO. MC17107 (96011008400), PRODUCT NO. 960 11 00-84
ELECTRICAL



REF.	PART NO.	DESCRIPTION	REMARK	QTY.	KIT
1	532163465	BATTERY		1	
2	874760412	BOLT		1	
8	532176689	BATTERY BOX		1	
16	532176138	MICRO SWITCH		1	
21	532183759	HARNESS		1	
22	532004152	BULB		1	
24	532124780	CABLE		1	
25	532146147	CABLE		1	
26	532175158	FUSE		1	
27	873510400	NUT		1	
28	532124773	CABLE		1	
29	532121305	SWITCH		1	
30	532175566	SWITCH		1	
33	532140401	KEY		1	
40	532179720	HARNESS		1	
41	871110408	BOLT		1	
42	532131563	COVER		1	
43	532178861	SOLENOID		1	
45	532121433	AMPEREMETER		1	
52	532141940	WIRE		1	
90	532180449	COVER		1	



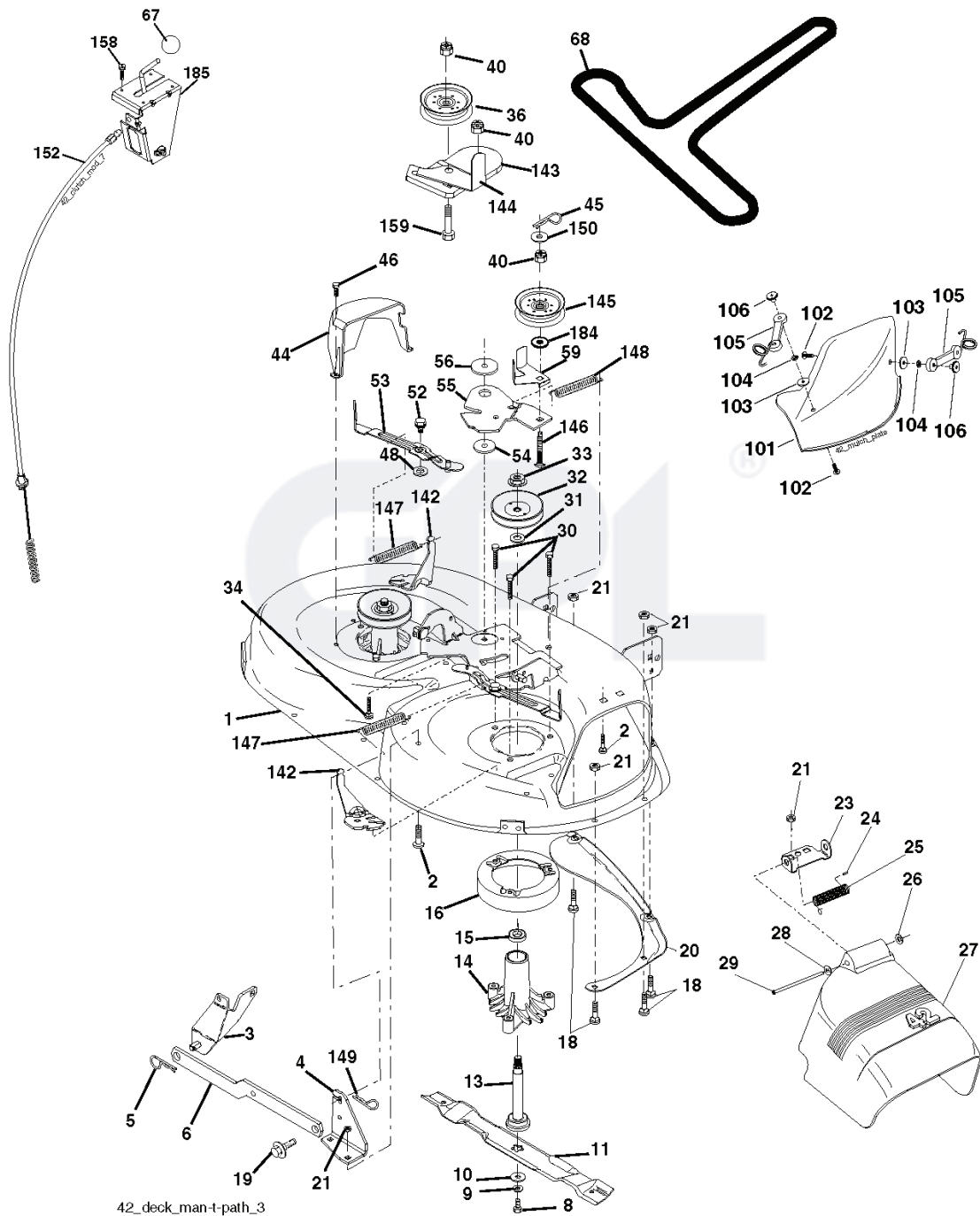
**TRACTOR - - MODEL NO. MC17107 (96011008400), PRODUCT NO. 960 11 00-84
ENGINE**



REF.	PART NO.	DESCRIPTION	REMARK	QTY.	KIT
1	532170551	THROTTLE CONTROL		1	
2	817720408	SCREW		1	
3				1	
4	532137352	MUFFLER		1	
13	532165291	GASKET		1	
14	532148456	TUBE		1	
23	532169837	HEAT SHIELD		1	
25	532190695	CONTROL CHOKE		1	
29	532137180	SPARK ARRESTER KIT		1	
31	532187750	TANK		1	
32	532140527	FUEL CAP		1	
33	532123487	HOSE CLAMP		1	
37	532137040	HOSE		1	
38	532181654	PLUG		1	
40	532124028	BUSHING		1	
44	817670412	SCREW		1	
45	817000612	SCREW		1	
46	819091416	WASHER		1	
62	810010500	WASHER		1	
72	871070512	BOLT		1	
78	817060620	SCREW		1	
81	873510400	NUT		1	

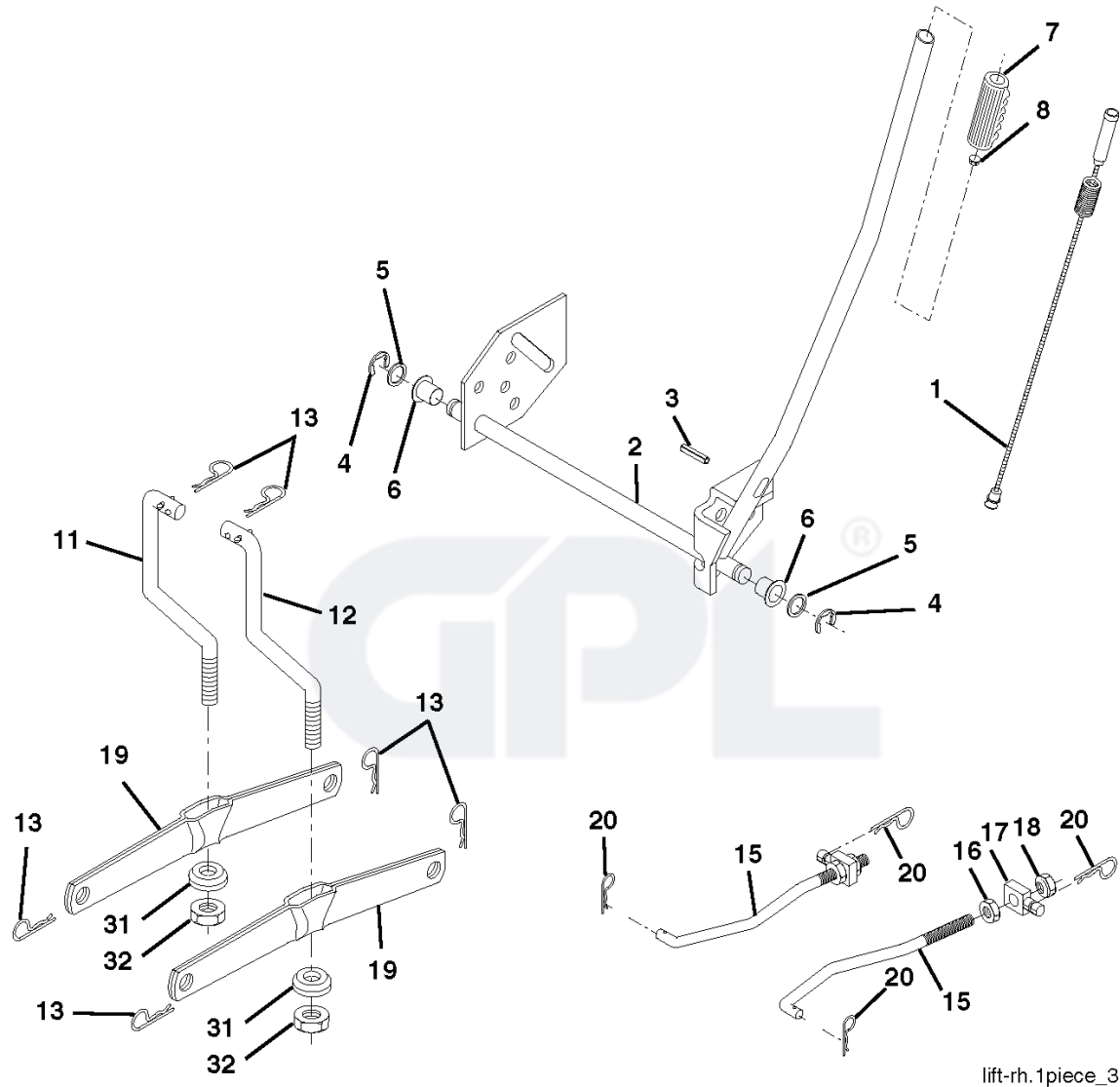


TRACTOR - - MODEL NO. MC17107 (96011008400), PRODUCT NO. 960 11 00-84
MOWER DECK



REF.	PART NO.	DESCRIPTION	REMARK	QTY.	KIT
1	532165892	HOUSING ASM MOWER 42"		1	
2	872140506	BOLT		1	
3	532138017	BRACKE		1	
4	532165460	BRACKET		1	
5	532124670	RETAINER RING		1	
6	532178024	LEVER		1	
8	532850857	BOLT		1	
9	810030600	WASHER		1	
10	532140296	WASHER		1	
11	532134149	RIDE ON BLADE		1	
13	532137645	SHAFT		1	
14	532128774	BEARING HOUSING		1	
15	532110485	BEARING		1	
16	532174493	STRIPPER, MANDREL, BLACK		1	
18	872140505	BOLT		1	
19	532132827	SPEC. BOLT		1	
20	532159770	RAIL		1	
21	873680500	NUT		1	
23	532177563	BRACKET		1	
24	532105304	HUB CAP		1	
25	532123713	SPRING		1	
26	532110452	NUT		1	
27	532171859	SHIELD DEFL. ECTOR		1	
28	819111016	WASHER		1	
29	532131491	SHAFT		1	
30	532173984	SCREW		1	
31	532187690	WASHER		1	
32	532153535	PULLEY		1	
33	532178342	NUT		1	
34	872110612	BOLT		1	
36	532131494	PULLEY		1	
40	873900600	NUT		1	
44	532140088	GUARD		1	
45	532124788	RETAINER RING		1	
46	532137729	SCREW		1	
48	532133944	WASHER		1	
52	532139888	BOLT		1	
53	532184907	ARM		1	
54	532178515	WASHER		1	
55	532155046	LEVER		1	
56	532165723	SPACER		1	
59	532141043	GUARD		1	
67	532106932	KNOB		1	
68	532180215	V-BELTMOWER		1	
101	532136420	COVER		1	
102	871081010	SCREW		1	
103	819061216	WASHER		1	
104	810071000	WASHER		1	
105	532160793	LATCH		1	
106	532124005	NUT		1	
142	532165890	BRACKET		1	
143	532157109	BRACKET		1	
144	532158634	BELT GUIDE		1	
145	532165888	PULLEY		1	
146	532171977	SHAFT		1	
147	532179748	SPRING		1	
148	532169022	SPRING		1	
149	532165898	SPRING		1	
150	819091216	WASHER		1	
152	532181555	CABLE		1	
158	817720408	SCREW		1	
159	872140614	BOLT		1	
184	819131410	WASHER		1	
185	532188234	CABLE		1	
--	532130794	MANDREL		1	
--	532181268	HOUSING		1	

TRACTOR -- MODEL NO. MC17107 (96011008400), PRODUCT NO. 960 11 00-84
MOWER LIFT

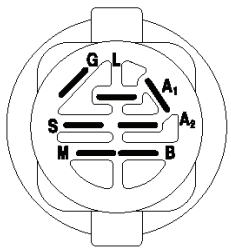
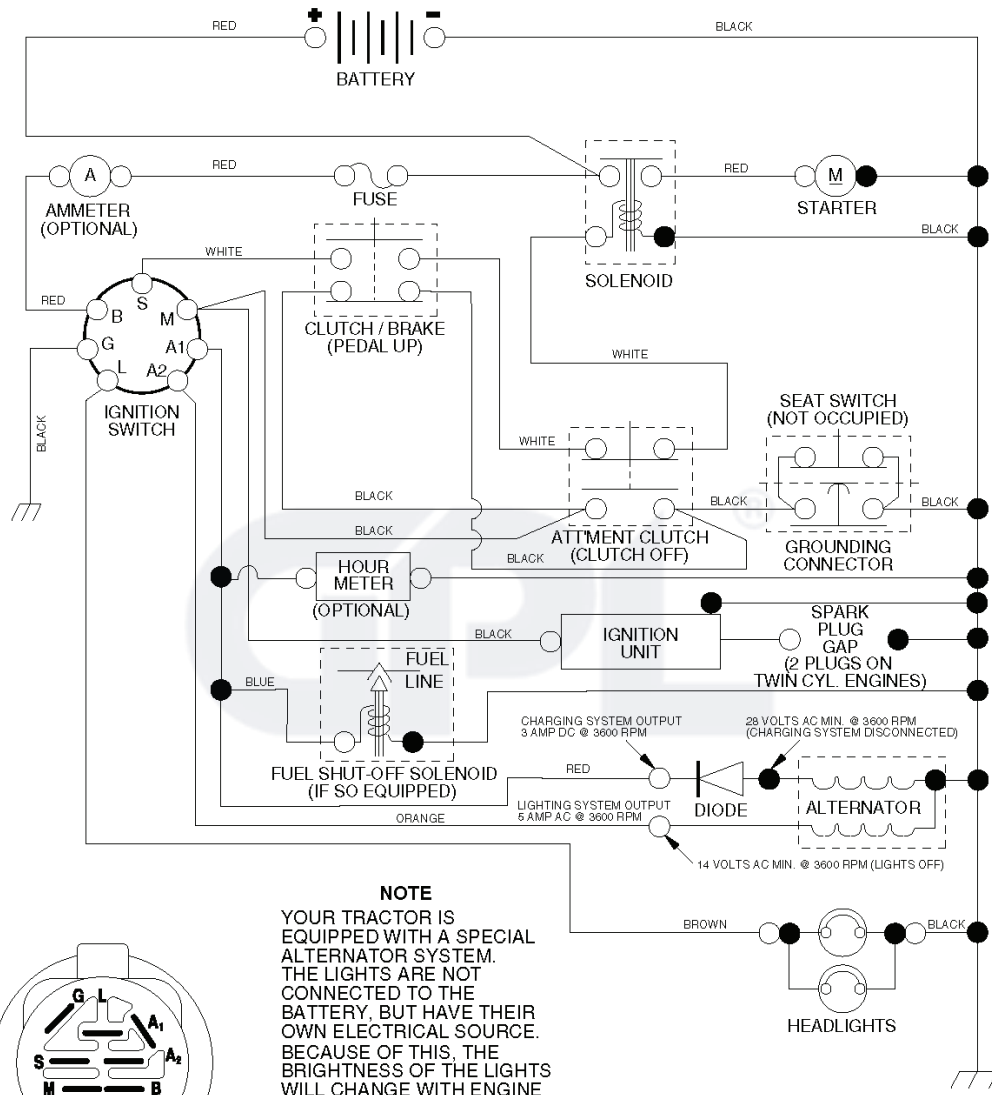


lift-rh.1piece_3

REF.	PART NO.	DESCRIPTION	REMARK	QTY.	KIT
1	532159461	WIRE		1	
2	532159476	SHAFT		1	
3	532188822	GROOVED PIN		1	
4	812000002	RETAINER RING		1	
5	819211621	WASHER		1	
6	532120183	BEARING		1	
7	532109413	GRIP		1	
8	532124526	KNOB		1	
11	532139865	LINK		1	
12	532139866	LINK		1	
13	532124670	RETAINER RING		1	
15	532173288	LINK		1	
16	873350800	NUT		1	
17	532175689	BRACKET		1	
18	873800800	NUT		1	
19	532139868	LEVER		1	
20	532163552	CLIP		1	
31	532169865	BEARING		1	
32	873540600	NUT		1	



**TRACTOR - - MODEL NO. MC17107 (96011008400), PRODUCT NO. 960 11 00-84
SCHEMATIC**



IGNITION SWITCH

POSITION	CIRCUIT	"MAKE"
OFF	M+G+A1	NONE
RUN/LIGHT	B+A1	A2+L
RUN	B+A1	NONE
START	B + S + A1	NONE

NOTE
YOUR TRACTOR IS EQUIPPED WITH A SPECIAL ALTERNATOR SYSTEM. THE LIGHTS ARE NOT CONNECTED TO THE BATTERY, BUT HAVE THEIR OWN ELECTRICAL SOURCE. BECAUSE OF THIS, THE BRIGHTNESS OF THE LIGHTS WILL CHANGE WITH ENGINE SPEED. AT IDLE THE LIGHTS WILL DIM. AS THE ENGINE IS SPEEDED UP, THE LIGHTS WILL BECOME THEIR BRIGHTEST.

WIRING INSULATED CLIPS
NOTE: IF WIRING INSULATED CLIPS WERE REMOVED FOR SERVICING OF UNIT, THEY SHOULD BE REPLACED TO PROPERLY SECURE YOUR WIRING.

02363

NON-REMOVABLE CONNECTIONS

REMOVABLE CONNECTIONS

