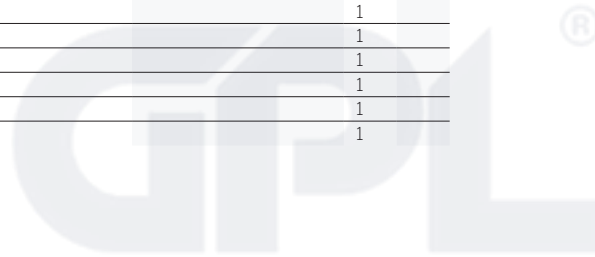


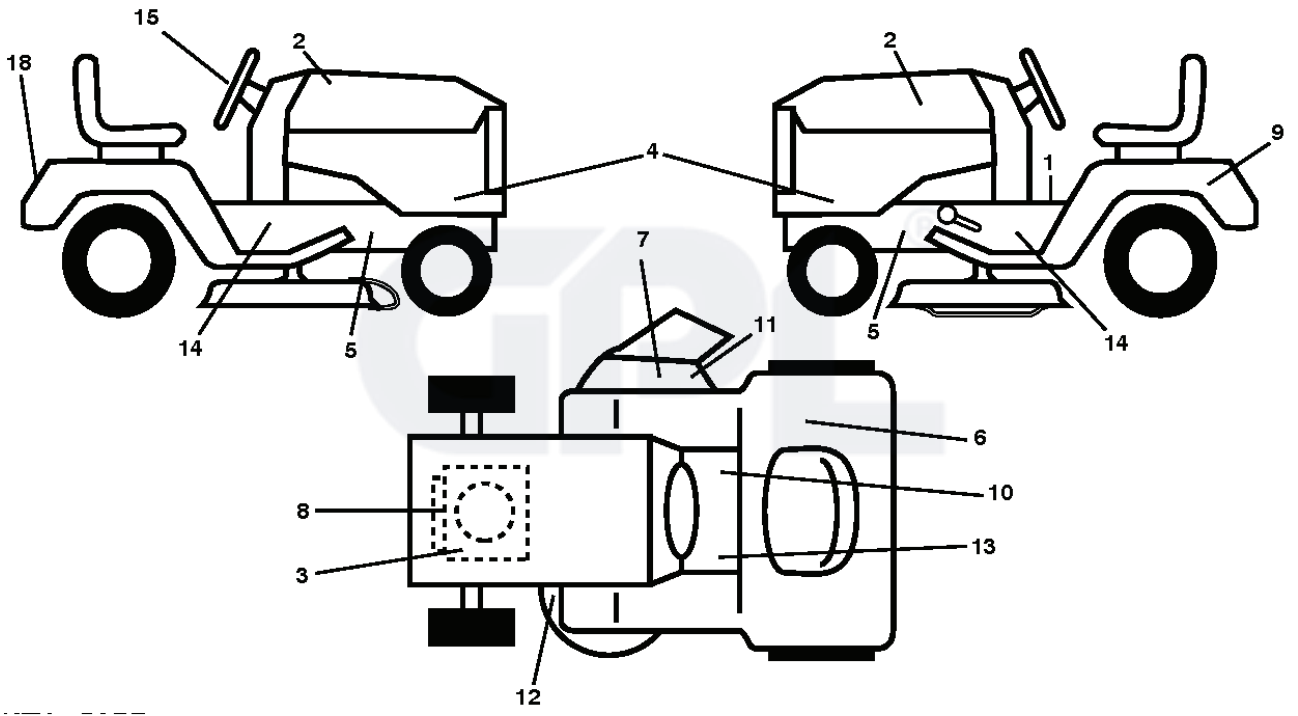
P125107H, 96041001304, 2010-02



SPARE PARTS LIST

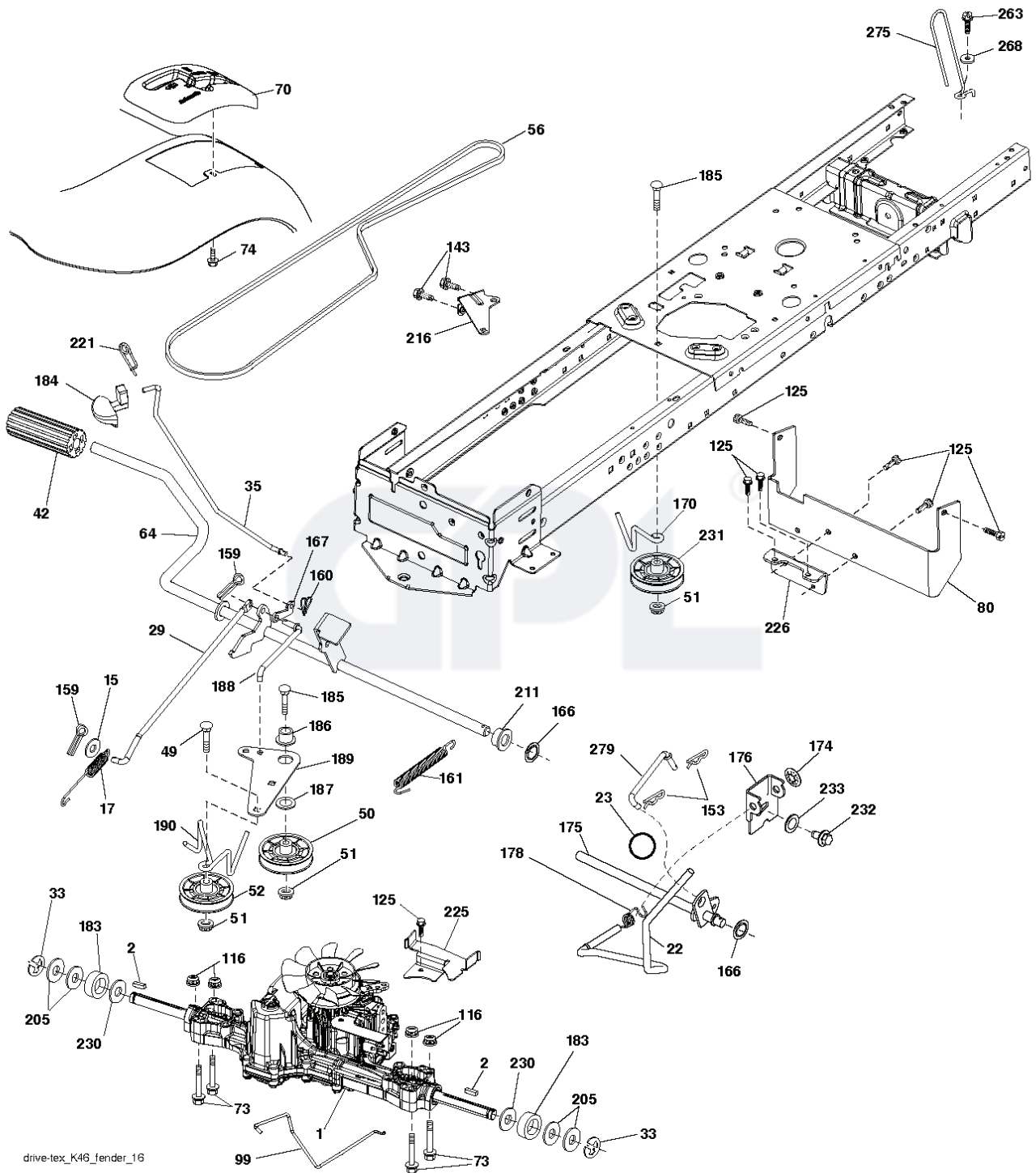
REF.	PART NO.	DESCRIPTION	REMARK	QTY.	KIT
5	532409597	PANEL		1	
14	532409598	HOOD		1	
18	532426511	GRILLE		1	
34	532196125	PLATE		1	
36	817060512	SCREW		1	
37	532420986	FENDER		1	
52	873680500	NUT		1	
58	532412280	PLATE		1	
68	817490508	SCREW		1	
130	532416358	SCREW		1	
138	532409730	CONSOLE		1	
150	532408956	AIR CONDUCTOR		1	
151	532187568	BRACKET		1	
152	532199535	SHIELD		1	
153	532409740	LENS		1	
159	817000612	SCREW		1	
162	532142432	SCREW		1	
175	532199472	PLATE		1	
176	532400776	SCREW		1	
177	532195228	BUSHING		1	
180	532415063	FRAME		1	
181	532404796	BUSHING		1	
182	532407176	DASH		1	
183	874520520	BOLT		1	
189	817000512	SCREW		1	
191	532416502	INSERT		1	
194	873900500	NUT		1	
196	532414581	CONSOLE		1	
213	874760512	BOLT		1	
217	532409167	ROD		1	
218	532196395	PLATE		1	
225	532409585	BUMPER		1	
228	532195161	STUD		1	
235	532406129	SPACER		1	
236	873930500	NUT		1	
237	532403704	PLUG		1	
287	817600406	SCREW		1	
297	532401827	LENS		1	





REF.	PART NO.	DESCRIPTION	REMARK	QTY.	KIT
1	532400389	LABEL		1	
2	532431616	DECAL		1	
3	532196841	DECAL		1	
4	532408631	DECAL		1	
5	532159736	DECAL		1	
6	532180432	DECAL		1	
7	532182166	DECAL		1	
8	532417926	DECAL		1	
9	532145005	DECAL		1	
10	532140837	DECAL		1	
11	532196357	DECALC:"DANGER DEFLECTEUR"		1	
12	532160396	DECAL		1	
13	532159737	DECAL		1	
14	532185651	DECAL		1	
15	532425758	DECAL		1	
18	532408632	DECAL		1	
--	532162598	DECAL		1	
--	532166960	DECAL		1	
--	532409505	PAD		1	
--	532411273	PAD		1	
--				1	



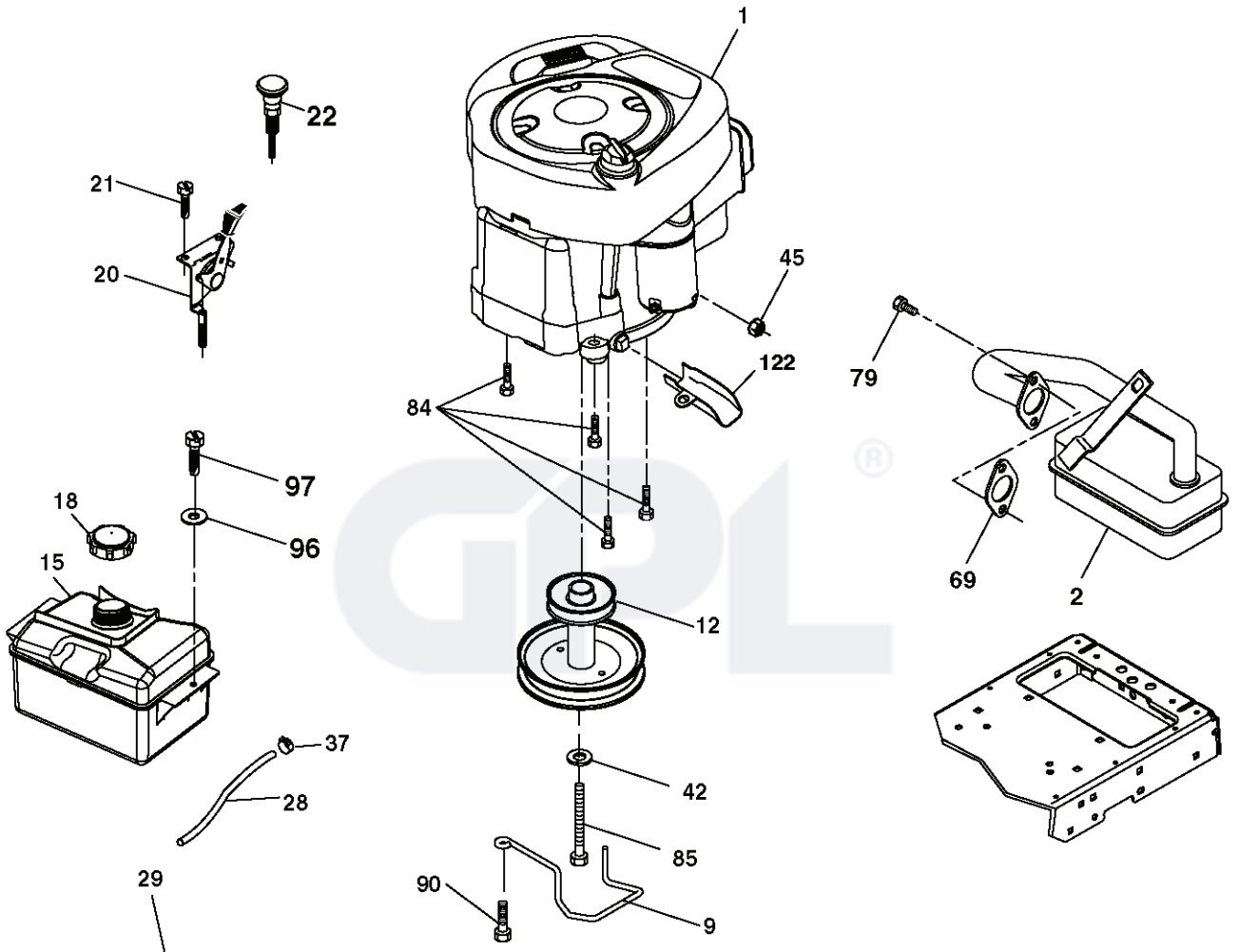


drive-tex_K46_fender_16

REF.	PART NO.	DESCRIPTION	REMARK	QTY.	KIT
1	000000000	W/O DESCRIPTION	Transaxle, TUFF TORQ K46 BA	1	
2	532123583	KEY		1	
15	819131316	WASHER		1	
17	532413678	SRPING.BRAKE.K46.GREEN*SUBS/2*		1	
22	532197660	ROD		1	
23	532411400	KNOB		1	
29	532403806	ROD		1	
33	812000001	RETAINER RING		1	
35	532401031	ROD		1	
42	532124872	PEDAL RUBBER		1	
49	872110614	BOLT		1	
50	532194327	PULLEY		1	
51	873900600	NUT		1	
52	532194326	PULLEY		1	
56	532130969	BELT		1	
64	532196200	SHAFT		1	
70	532411329	CONSOLE		1	
73	874490544	SCREW		1	
74	532142432	SCREW		1	
80	532410024	STRAP TORQUE		1	
99	532415742	ROD		1	
116	873900500	NUT		1	
125	817000512	SCREW		1	
143	817490508	SCREW		1	
153	532124788	RETAINER RING		1	
159	876020412	SPLIT PIN		1	
160	532169484	PIN		1	
161	532105709	SPRING		1	
166	532429164	NUT		1	
167	532405257	LATCH		1	
170	532413430	BELT GUIDE		1	
174	532197289	NUT		1	
175	532408539	SHAFT		1	
176	532196214	ARM		1	
178	532197456	SPRING		1	
183	532137057	SPACER		1	
184	532409747	KNOB		1	
185	872110622	BOLT		1	
186	532194321	SPACER		1	
187	819133210	WASHER		1	
188	532194323	LINK		1	
189	532194317	PLATE		1	
190	532194318	BELT GUIDE		1	
205	532121748	WASHER		1	
211	532196212	BUSHING		1	
216	532196131	BRACKET		1	
221	532403187	SPRING		1	
225	532403319	BELT GUIDE		1	
226	532401564	BRACKET		1	
230	532188967	WASHER		1	
231	532407287	PULLEY		1	
232	874780716	BOLT		1	
233	532405296	WASHER		1	
263	817000612	SCREW		1	
268	819131614	WASHER		1	
275	532182402	PROTECTOR		1	
279	532413150	LINK		1	

REF.	PART NO.	DESCRIPTION	REMARK	QTY.	KIT
1	532163465	BATTERY		1	
2	874760412	BOLT		1	
8	532193228	BOX		1	
16	532176138	MICRO SWITCH		1	
21	532400252	HARNESS		1	
22	532004152	BULB		1	
25	532412894	CABLE.STARTER.GGA.BL/R*SUBS/2*		1	
26	532175158	FUSE		1	
27	873510400	NUT		1	
28	532198885	CABLE		1	
29	532401545	SWITCH		1	
30	532193350	IGNITION MODULE		1	
33	532411935	KEY		1	
34	532110712	SWITCH		1	
40	532401098	CABLE		1	
41	817720408	SCREW		1	
42	532131563	COVER		1	
43	532192507	SOLENOID		1	
55	817060512	SCREW		1	
71	532400449	CABLE		1	
79	532175242	HOLDER		1	
87	532197802	SWITCH		1	
90	532400725	COVER		1	
92	532196615	CABLE ASSY		1	
93	532192540	SCREW		1	
94	532191834	MODULE.REVERSE.ROS		1	

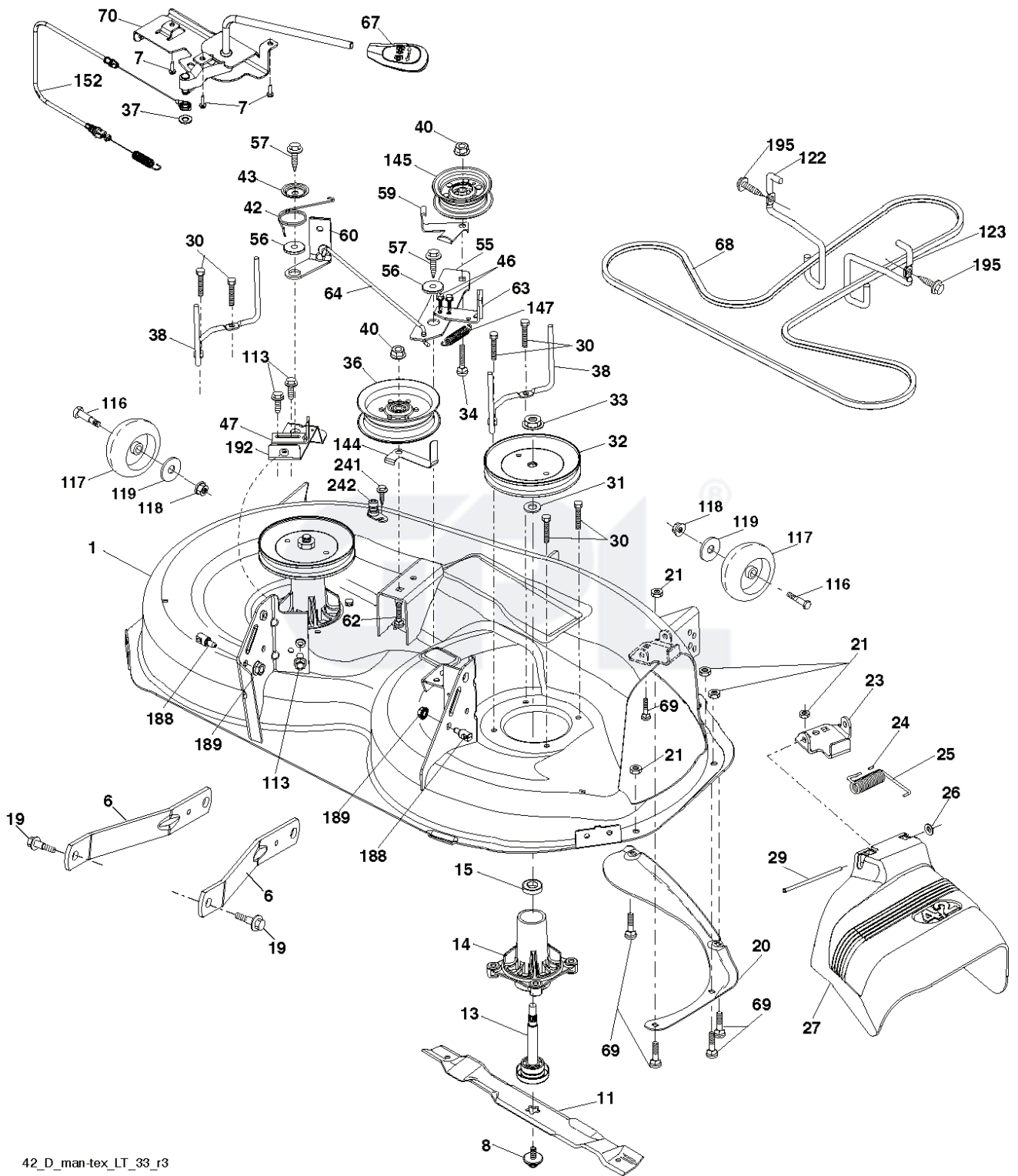




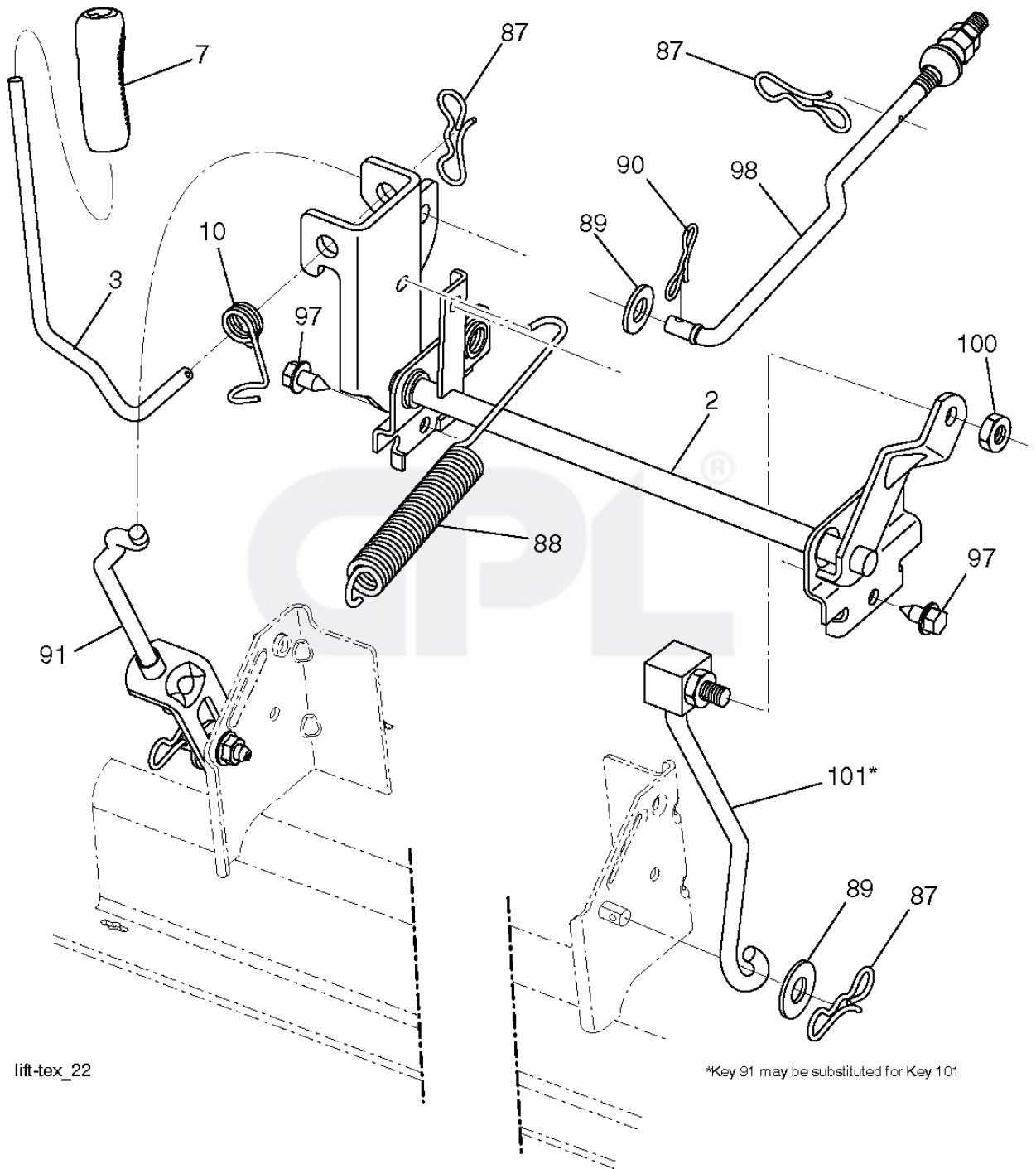
OPTIONAL EQUIPMENT
Spark Arrester

REF.	PART NO.	DESCRIPTION	REMARK	QTY.	KIT
1	000000000	W/O DESCRIPTION	Engine Briggs Model No. 219807-1402-B1	1	
2	532179758	MUFFLER		1	
9	532194320	BELT GUIDE		1	
12	532405471	PULLEY		1	
15	532407545	FUEL TANK		1	
18	532430220	FUEL CAP		1	
20	532411724	CONTROL		1	
21	532416358	SCREW		1	
22	532411725	CONTROL		1	
28	532137040	HOSE		1	
29	532137180	SPARK ARRESTER KIT		1	
37	532123487	HOSE CLAMP		1	
42	810040700	WASHER		1	
45	873510400	NUT		1	
69	532165291	GASKET		1	
79	532192334	SCREW		1	
84	817060620	SCREW		1	
85	532173937	BOLT		1	
90	817000616	SCREW		1	
96	819091416	WASHER		1	
97	817670412	SCREW		1	
122	532421922	EXTENSION PIPE		1	





REF.	PART NO.	DESCRIPTION	REMARK	QTY.	KIT
1	532196495	HOUSING		1	
6	532195186	ARM		1	
7	532416358	SCREW		1	
8	532193003	SCREW		1	
11	532138971	BLADE		1	
13	532192872	SHAFT ASSY		1	
14	532187281	BEARING HOUSING		1	
15	532110485	BEARING		1	
19	532196539	BOLT		1	
20	532159770	RAIL		1	
21	873680500	NUT		1	
23	532192557	HINGE		1	
24	532105304	HUB CAP		1	
25	532197026	TORSION SPRING		1	
26	532110452	NUT		1	
27	532403004	SHIELD		1	
29	532131491	SHAFT		1	
30	532173984	SCREW		1	
31	532187690	WASHER		1	
32	532197473	PULLEY		1	
33	532400234	NUT		1	
34	872110612	BOLT		1	
36	532197379	PULLEY		1	
37	819131316	WASHER		1	
38	532199189	BELT GUIDE		1	
40	873900600	NUT		1	
42	532198410	SPRING		1	
43	532197256	SPRING		1	
46	532137729	SCREW		1	
47	532197250	BRACKET		1	
55	532437110	ARM		1	
56	532199092	SPACER		1	
57	817000616	SCREW		1	
59	532141043	GUARD		1	
60	532197261	ARM		1	
62	872110616	BOLT		1	
63	532199477	ARM		1	
64	532199790	LINK		1	
67	532409792	HANDLE		1	
68	532429636	BELT		1	
69	872140505	BOLT		1	
70	532401246	CLUTCH		1	
113	817000510	BOLT		1	
116	532124842	BOLT		1	
117	532188606	WHEEL		1	
118	873900600	NUT		1	
119	819121414	WASHER		1	
122	532197258	BELT GUIDE		1	
123	532197259	BELT GUIDE		1	
144	532199204	BELT GUIDE		1	
145	532193197	PULLEY		1	
147	532401971	SPRING		1	
152	532408714	CABLE		1	
188	532195161	STUD		1	
189	873900500	NUT		1	
192	532197260	BRACKET		1	
195	817000612	SCREW		1	
241	532152927	SCREW		1	
242	532415598	HOSE COUPLING		1	
--	532192870	SPINDLE	(Includes housing, shaft and shaft hardware only-pulley not included)	1	
--	532437730	CUTTING DECK		1	

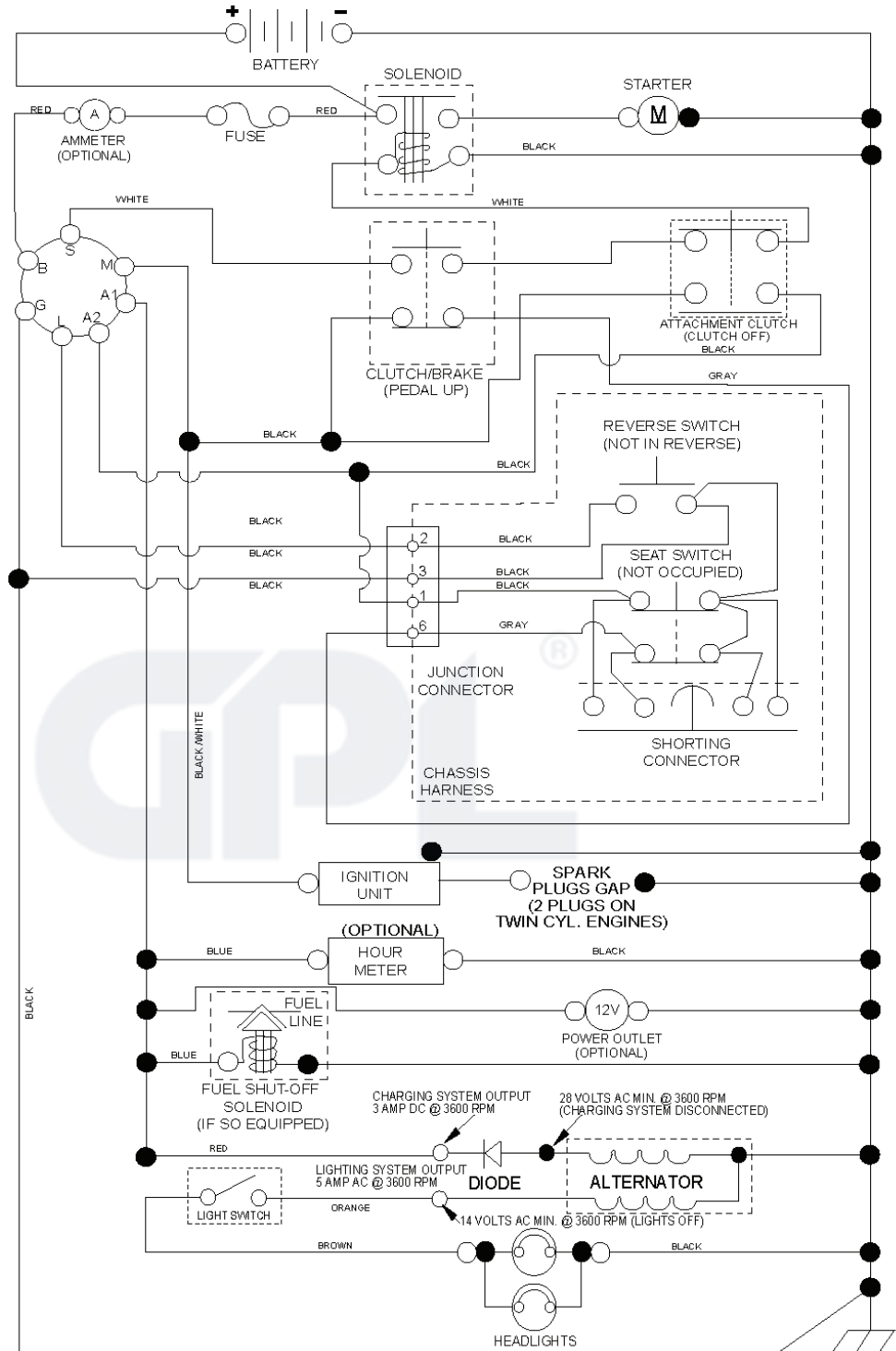


lift-tex_22

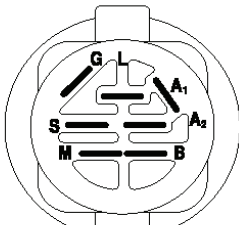
*Key 91 may be substituted for Key 101

REF.	PART NO.	DESCRIPTION	REMARK	QTY.	KIT
2	532422027	SHAFT		1	
3	532195231	LEVER		1	
7	532411742	GRIP		1	
10	532196314	SPRING		1	
87	532194209	SPRING		1	
88	532410710	SPRING		1	
89	819191912	WASHER		1	
90	532194208	PIN		1	
91	532195181	LINK		1	
97	817000612	SCREW		1	
98	532195270	LINK		1	
100	873930600	NUT		1	
101	532407003	LINK		1	

GPL®

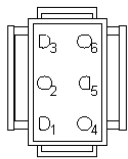


NOTE
 YOUR TRACTOR IS EQUIPPED WITH A SPECIAL ALTERNATOR SYSTEM. THE LIGHTS ARE NOT CONNECTED TO THE BATTERY, BUT HAVE THEIR OWN ELECTRICAL SOURCE. BECAUSE OF THIS, THE BRIGHTNESS OF THE LIGHTS WILL CHANGE WITH ENGINE SPEED. AT IDLE THE LIGHTS WILL DIM. AS THE ENGINE IS SPEEDED UP, THE LIGHTS WILL BECOME THEIR BRIGHTEST.

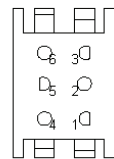


IGNITION SWITCH

POSITION	CIRCUIT "MAKE"
OFF	M+G+A1
RUN/OVERRIDE	B+A1
RUN	B+A1 L+A2
START	B+S+A1

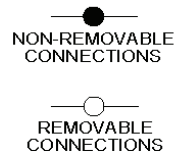


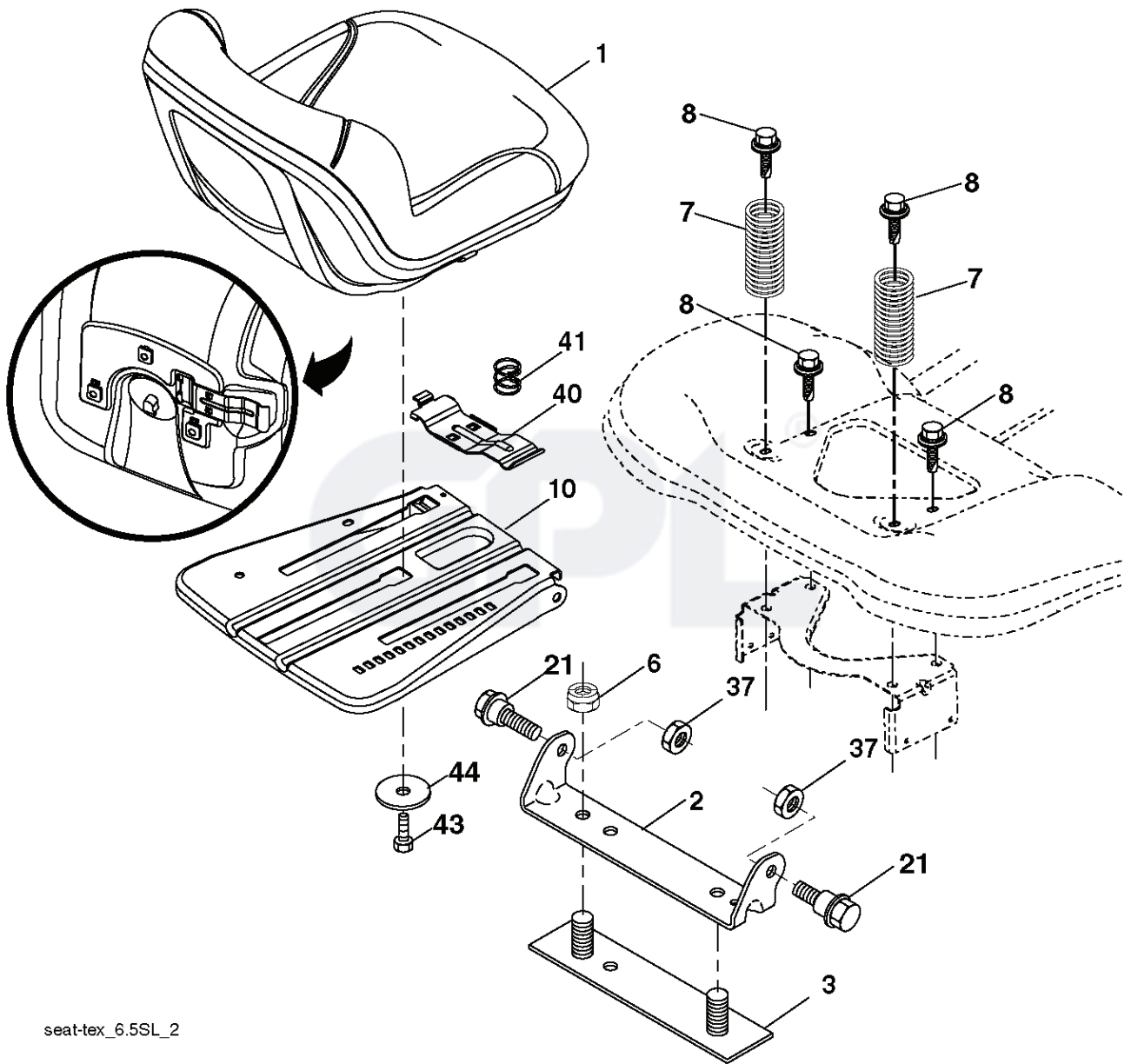
CHASSIS HARNESS CONNECTOR (MATING SIDE)



DASH HARNESS CONNECTOR (MATING SIDE)

WIRING INSULATED CLIPS
 NOTE: IF WIRING INSULATED CLIPS WERE REMOVED FOR SERVICING OF UNIT, THEY SHOULD BE RE-INSTALLED TO PROPERLY SECURE YOUR WIRING.

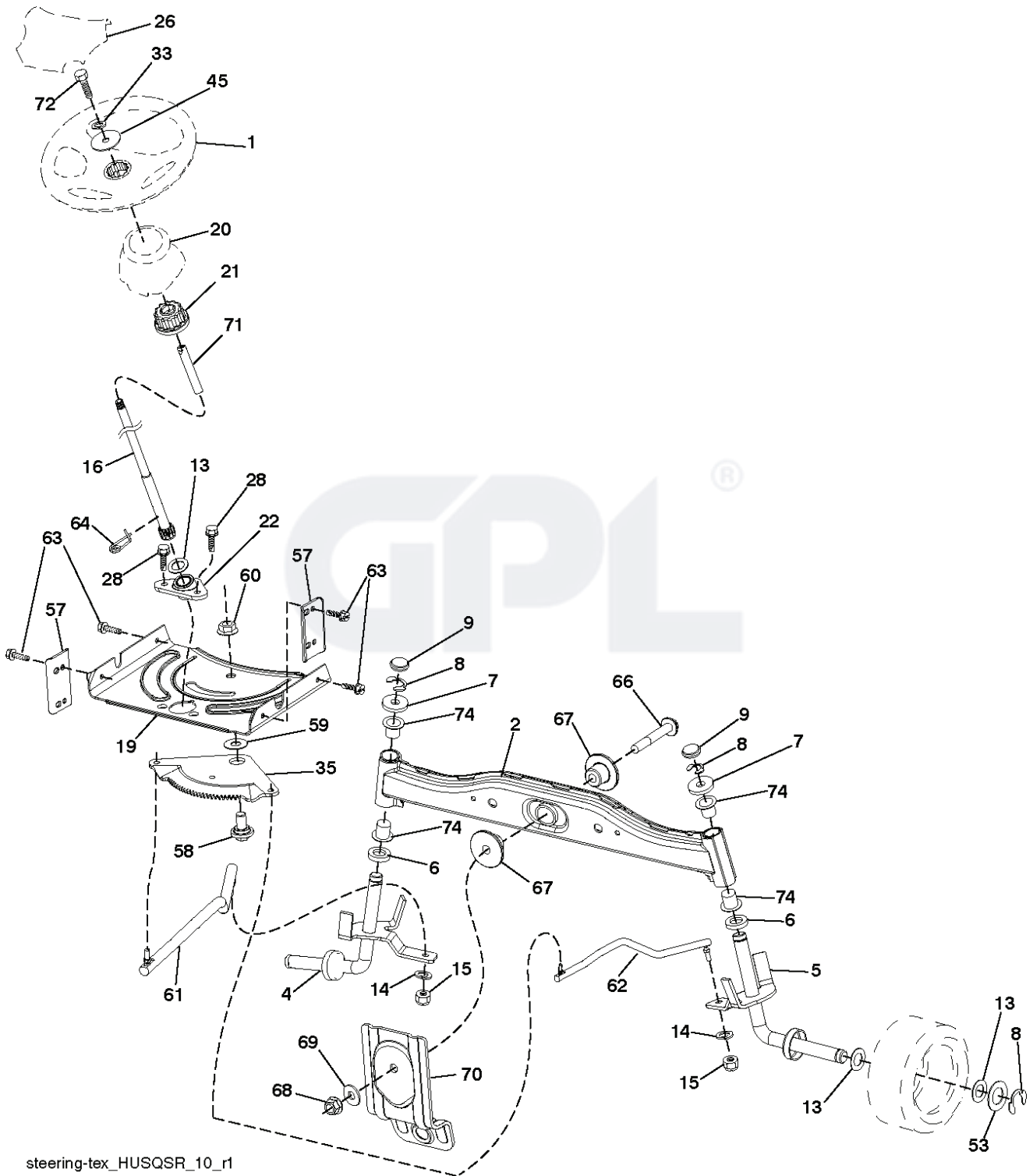




seat-tex_6.5SL_2

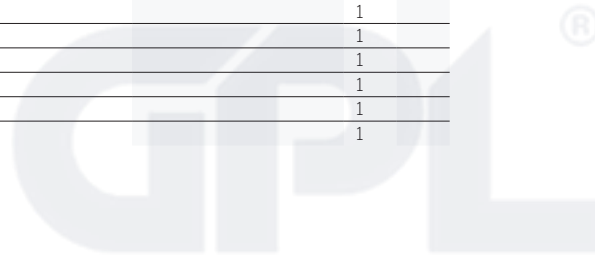
REF.	PART NO.	DESCRIPTION	REMARK	QTY.	KIT
1	532197511	SEAT		1	
2	532180166	BRACKET		1	
3	532140675	STRAP		1	
6	873800600	NUT		1	
7	532124181	SPRING		1	
8	532171877	BOLT		1	
10	532196977	PLATE		1	
21	532171852	BOLT		1	
37	873800500	LOCK NUT		1	
40	532197661	HANDLE		1	
41	532198200	SPRING		1	
43	874760612	BOLT		1	
44	819133812	WASHER		1	

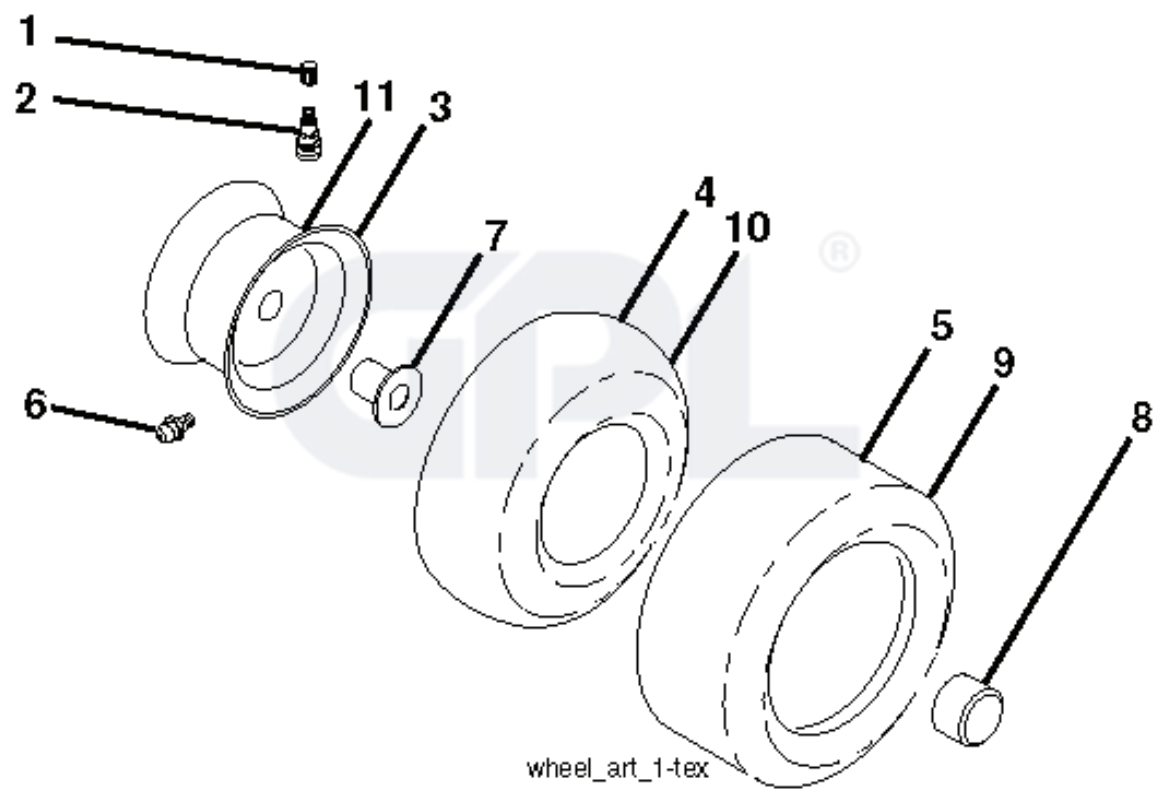




steering-tex_HUSQSR_10_r1

REF.	PART NO.	DESCRIPTION	REMARK	QTY.	KIT
1	532424543	STEERING WHEEL		1	
2	532418168	AXLE		1	
4	532403087	SPINDLE		1	
5	532403088	SPINDLE		1	
6	532124931	WASHER		1	
7	532121748	WASHER		1	
8	812000029	RETAINER RING		1	
9	532121232	HUB CAP		1	
13	532121749	WASHER		1	
14	810040600	WASHER		1	
15	873540600	NUT		1	
16	532429373	SHAFT		1	
19	532194729	PLATE		1	
20	532409763	STEERING COLUMN		1	
21	532186737	ADAPTER		1	
22	532420537	SUPPORT		1	
26	532424691	INSERT		1	
28	817000612	SCREW		1	
33	810040500	WASHER		1	
35	532194732	PLATE		1	
45	819113812	WASHER		1	
53	532188967	WASHER		1	
57	532407465	BRACKET		1	
58	532194747	BOLT		1	
59	532194748	WASHER		1	
60	873971000	NUT		1	
61	532194740	LINK		1	
62	532194741	LINK		1	
63	817000512	SCREW		1	
64	532199849	SPRING RETAINER		1	
66	871020748	BOLT		1	
67	532194737	BUSHING		1	
68	873900700	NUT		1	
69	532199162	WASHER		1	
70	532196197	BRACKET		1	
71	532190752	SHAFT		1	
72	532428982	BOLT		1	
74	532124937	BEARING COL. STRG.		1	





REF.	PART NO.	DESCRIPTION	REMARK	QTY.	KIT
1	532059192	CAP VALVE		1	
2	532065139	NIPPLE		1	
3	532125121	RIM		1	
4	532059904	HOSE		1	
5	532124157	TIRE		1	
6	532124957	FITTING		1	
7	532124959	BEARING		1	
8	532175039	HUB CAP		1	
9	532123969	TIRE		1	
10	532124926	HOSE		1	
11	532125122	RIM		1	
--	532144334	SEALING FOAM		1	
	PART NO.		REMARK		KIT

