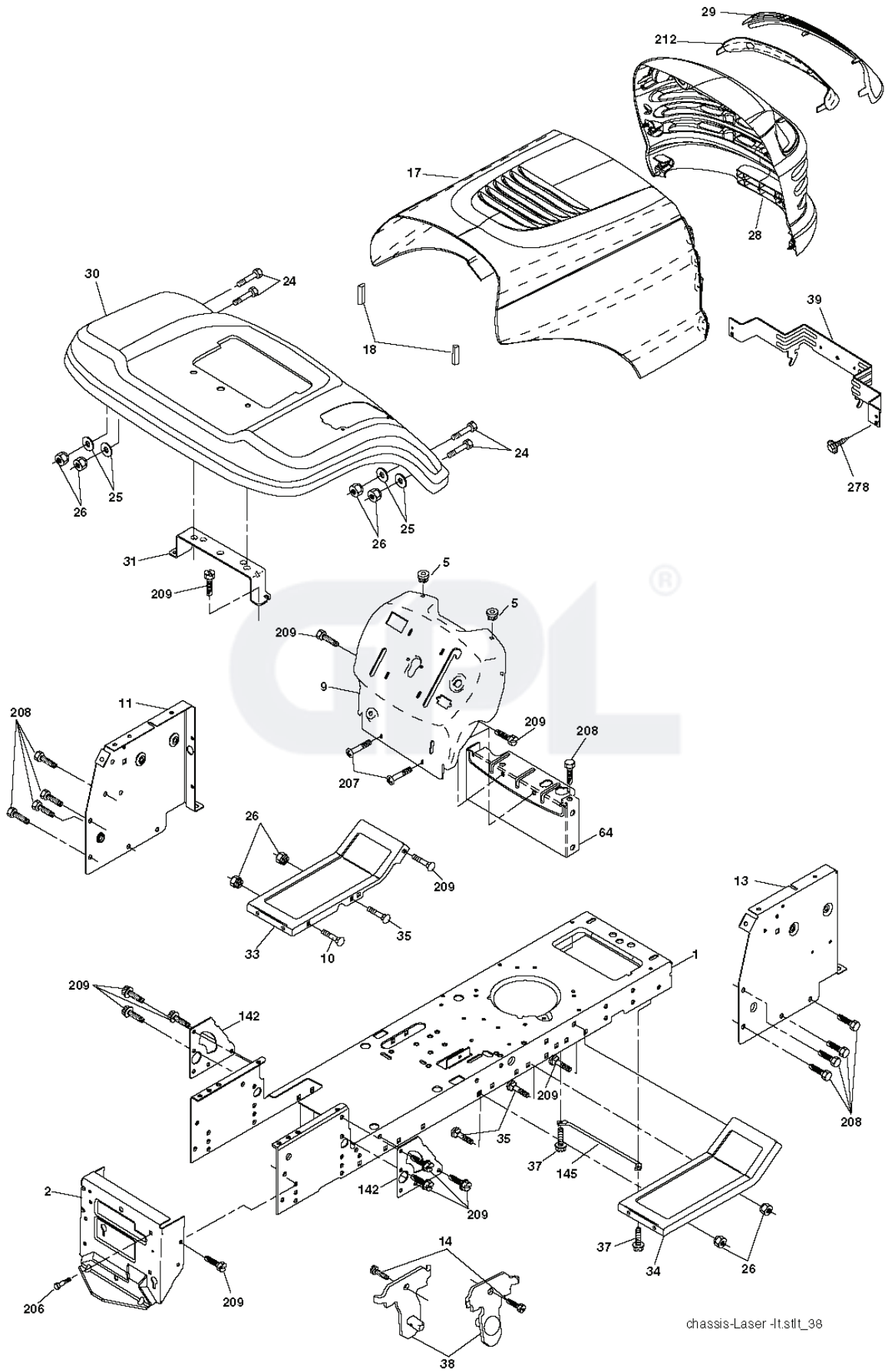


P12597, 96011023903, 2010-03

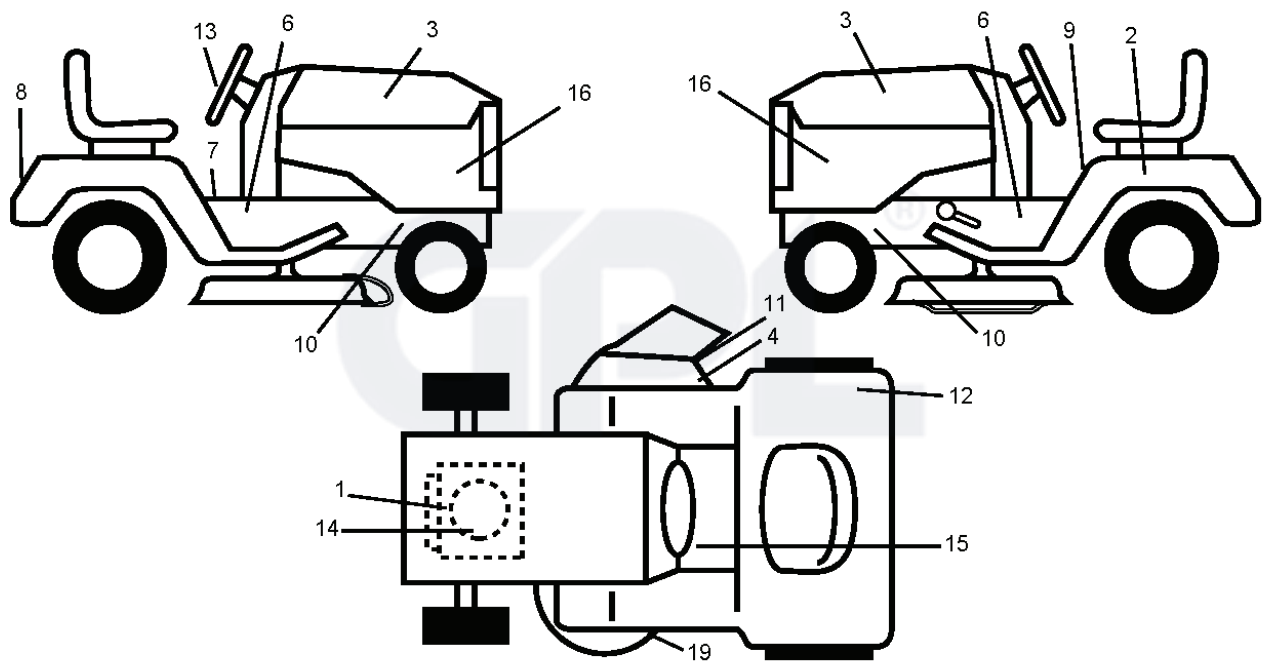
GPL[®]

SPARE PARTS LIST



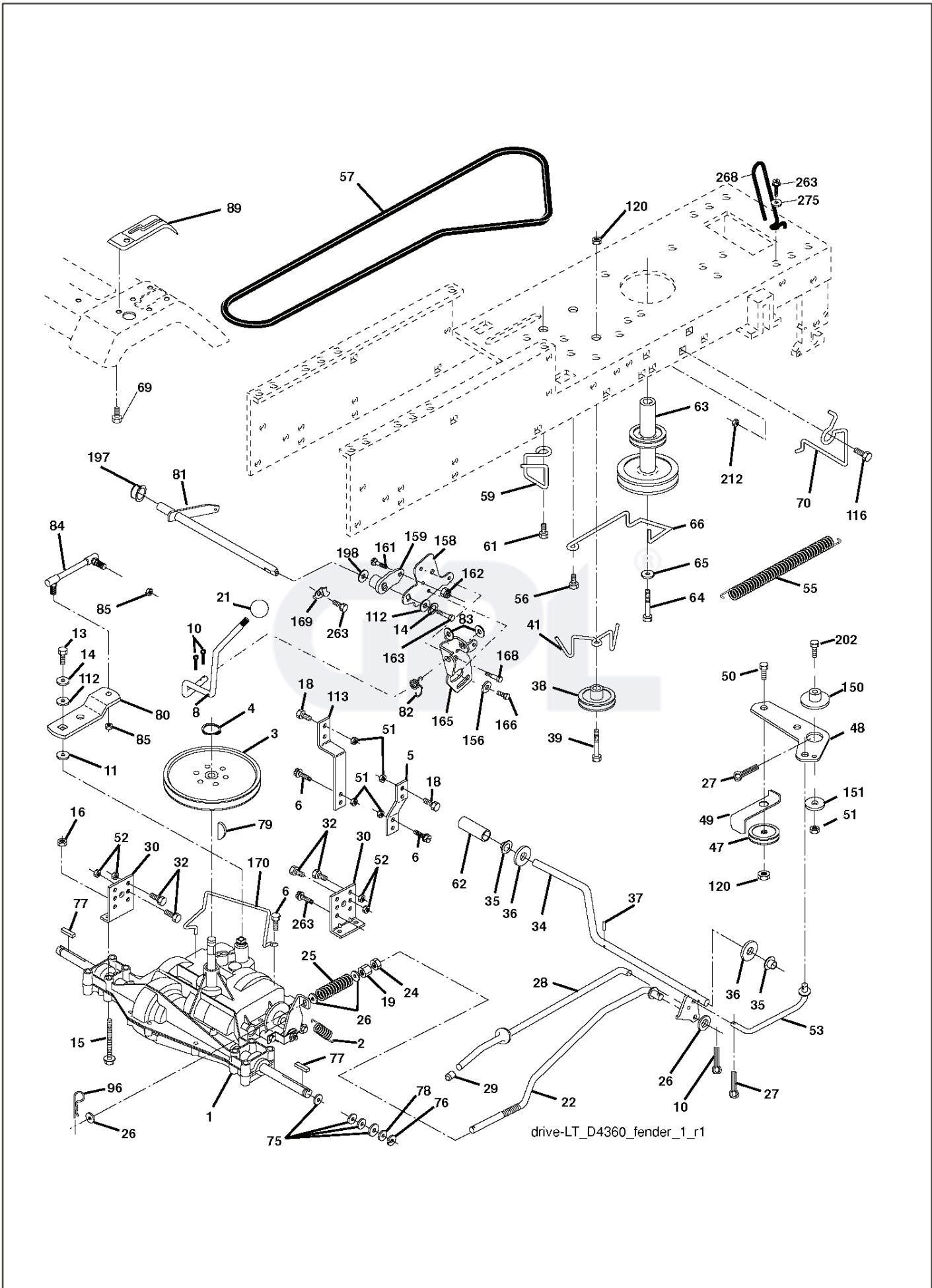
REF.	PART NO.	DESCRIPTION	REMARK	QTY.	KIT
1	532174619	FRAME		1	
2	532176554	PLATE		1	
5	532155272	DAMPER		1	
9	532194822	DASH		1	
10	872140608	BOLT		1	
11	532174996	DASHBOARD		1	
13	532181719	DASHBOARD		1	
14	817490608	SCREW		1	
17	532182716	HOOD		1	
18	532184921	BUMPER		1	
24	874780616	BOLT		1	
25	819131312	WASHER		1	
26	873800600	NUT		1	
28	532179749	GRILLE/LENS ASM		1	
29	532182718	LENS		1	
30	532194198	FENDER		1	
31	532136619	ROD		1	
33	532182507	FOOT REST, LH		1	
34	532182508	FOOT REST, RH		1	
35	872110606	BOLT		1	
37	817490508	SCREW		1	
38	532175710	BRACKET		1	
39	532407807	BRACKET		1	
64	532154798	PANEL		1	
142	532175702	PLATE		1	
145	532409167	ROD		1	
206	532170165	BOLT		1	
207	817670508	SCREW		1	
208	817670608	SCREW		1	
209	817000612	SCREW		1	
212	532175143	INSERT LENS REFLECT		1	
278	532416358	SCREW		1	
--	532005479	PLUG		1	





REF.	PART NO.	DESCRIPTION	REMARK	QTY.	KIT
1	532196841	DECAL		1	
2	532145005	DECAL		1	
3	532431220	DECAL		1	
4	532196357	DECALC.'DANGER DEFLECTEUR'		1	
6	532185651	DECAL		1	
7	532140837	DECAL		1	
8	532408161	LABEL		1	
9	532400389	LABEL		1	
10	532159736	DECAL		1	
11	532182166	DECAL		1	
12	532180432	DECAL		1	
13	532408143	LABEL		1	
14	532408813	DECAL		1	
15	532159737	DECAL		1	
16	532408162	LABEL		1	
19	532194302	DECALC.SCHEMA MONTAGE		1	
--	532162598	DECAL		1	
--	532138311	DECAL		1	
--	532400901	OPERATORS MANUAL		1	
--	532400902	OPERATORS MANUAL		1	
--	532400903	OPERATOR'S MANUAL		1	
--	532400904	OPERATOR'S MANUAL		1	

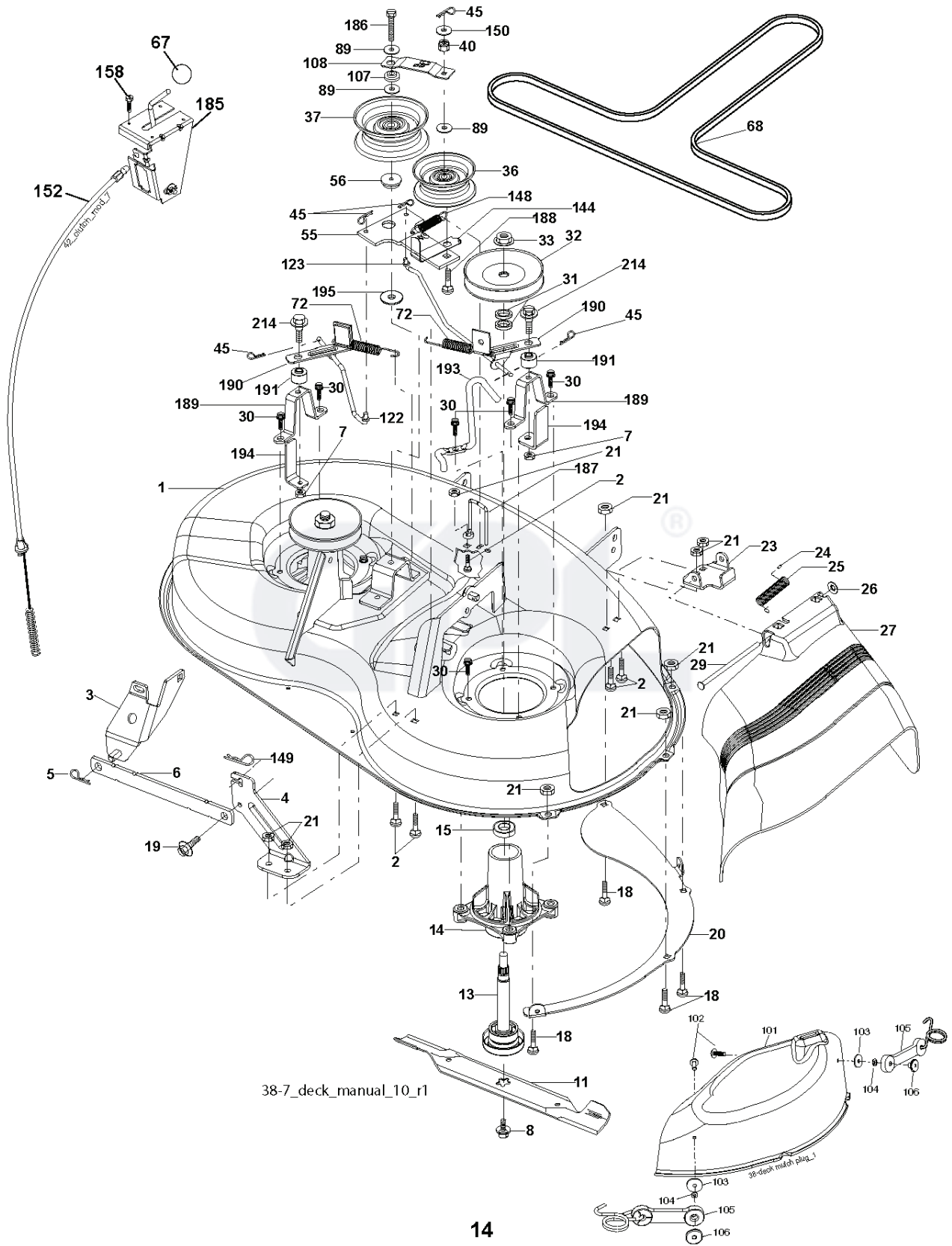




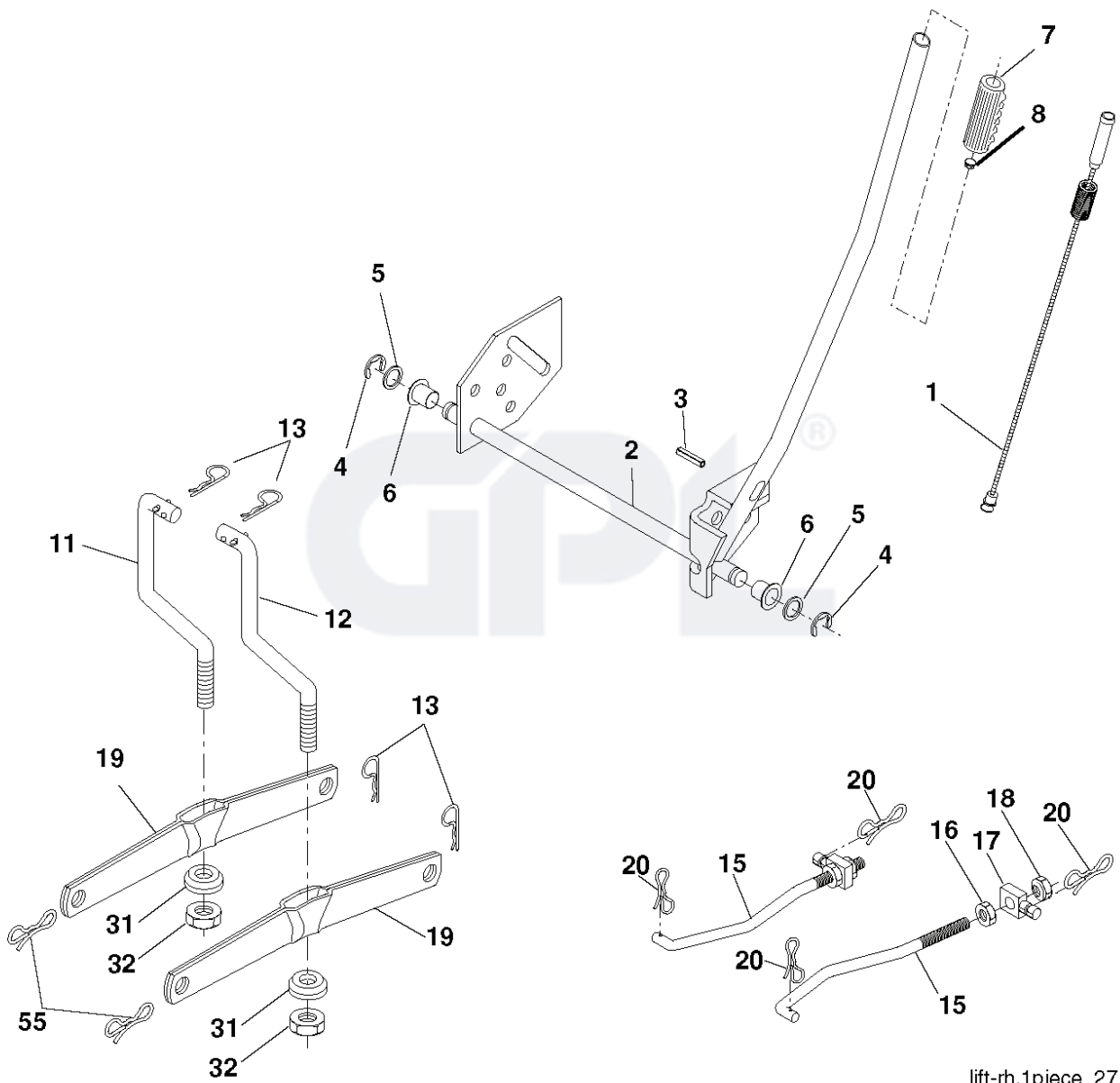
REF.	PART NO.	DESCRIPTION	REMARK	QTY.	KIT
1				1	
2	532146682	SPRING		1	
3	532123666	PULLEY		1	
4	812000028	CLIP		1	
5	532127285	BRACKET		1	
6	817060512	SCREW		1	
8	532192706	LEVER		1	
10	876020416	SPLIT PIN		1	
11	532105701	WASHER		1	
13	874550412	BOLT		1	
14	810040400	WASHER		1	
15	874490544	SCREW		1	
16	873800500	LOCK NUT		1	
18	874780616	BOLT		1	
19	873800600	NUT		1	
21	532106933	KNOB		1	
22	532130804	ROD		1	
24	873350600	NUT		1	
25	532106888	SPRING		1	
26	819131316	WASHER		1	
27	876020412	SPLIT PIN		1	
28	532175765	SHAFT		1	
29	532071673	COVER		1	
30	532174973	BRACKET		1	
32	874760512	BOLT		1	
34	532175578	SHAFT		1	
35	532120183	BEARING		1	
36	819211616	WASHER		1	
37	532124963	PIN RETAINING SCREW		1	
38	532179114	PULLEY		1	
39	872110622	BOLT		1	
41	532175556	BELT GUIDE		1	
47	532127783	PULLEY		1	
48	532154407	GUIDE		1	
49	532123205	BELT GUIDE		1	
50	872110612	BOLT		1	
51	873680600	NUT		1	
52	873680500	NUT		1	
53	532199652	TIGE DE TENSION POULIE		1	
55	532105709	SPRING		1	
56	817060620	SCREW		1	
57	532401603	BELT		1	
59	532169691	BELT GUIDE		1	
61	817120614	SCREW		1	
62	532124872	PEDAL RUBBER		1	
63	532175410	PULLEY		1	
64	532173937	BOLT		1	
65	810040700	WASHER		1	
66	532154778	TENSIONER		1	
69	532142432	SCREW		1	
70	532134683	BELT GUIDE		1	
75	532121749	WASHER		1	
76	812000001	RETAINER RING		1	
77	532123583	KEY		1	
78	532121748	WASHER		1	
79	532125096	WOODRUFF KEY		1	
80	532131488	LEVER		1	
81	532165594	SHAFT		1	
82	532165711	SPRING		1	
83	819171216	WASHER		1	
84	532166229	LINK		1	
85	532150360	NUT		1	
89	532195861	CONSOLE		1	
96	532124788	RETAINER RING		1	
112	819091210	WASHER		1	
113	532121520	BRACKET		1	
116	872140608	BOLT		1	
120	873900600	NUT		1	
150	532175456	SPACER		1	
151	819133210	WASHER		1	
156	532166002	WASHER		1	
158	532165589	BRACKET		1	
159	532183900	LEVER		1	
161	872140406	BOLT		1	
162	873680400	NUT		1	
163	874780416	BOLT		1	
165	532165623	BRACKET		1	
166	817490510	SCREW		1	

REF.	PART NO.	DESCRIPTION	REMARK	QTY.	KIT
168	532165492	BOLT		1	
169	532165580	RETAINER		1	
170	532187414	KEEPER		1	
197	532169613	SLEEVE		1	
198	532169593	WASHER		1	
202	872110614	BOLT		1	
212	532145212	NUT		1	
263	817000612	SCREW		1	
268	532182402	PROTECTOR		1	
275	819131614	WASHER		1	

GPL®



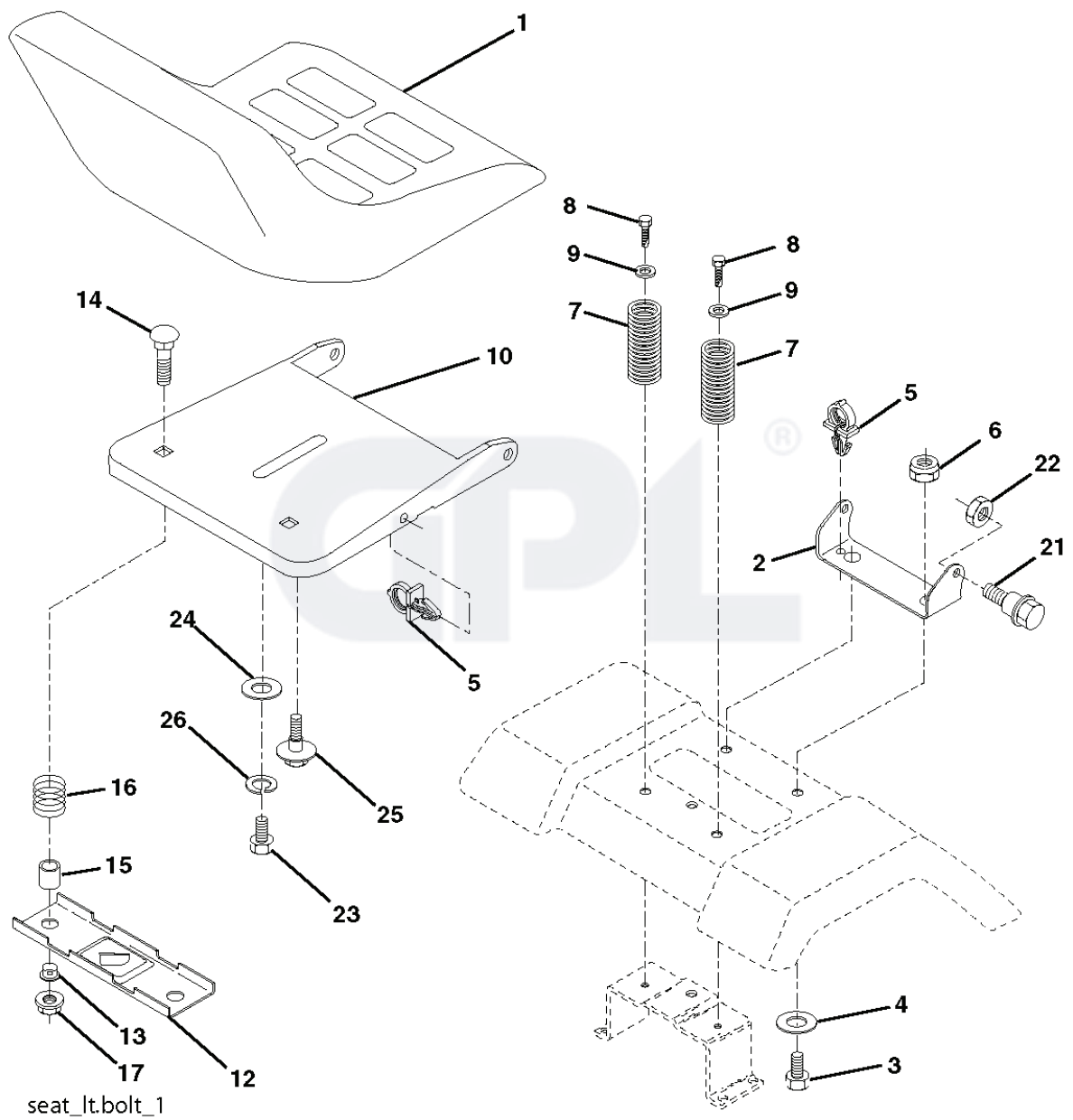
REF.	PART NO.	DESCRIPTION	REMARK	QTY.	KIT
1	532192556	DECK SHELL		1	
2	872140506	BOLT		1	
3	532138017	BRACKE		1	
4	532192568	SUPPORT CARTER ARRIERE		1	
5	532124670	RETAINER RING		1	
6	532178024	LEVER		1	
7	873800500	LOCK NUT		1	
8	532193003	SCREW		1	
11	532193957	RIDE ON BLADE		1	
13	532192872	SHAFT ASSY		1	
14	532187281	BEARING HOUSING		1	
15	532110485	BEARING		1	
18	872140505	BOLT		1	
19	532132827	SPEC. BOLT		1	
20	532400095	BAFFLE		1	
21	873680500	NUT		1	
23	532192557	HINGE		1	
24	532105304	HUB CAP		1	
25	532197026	TORSION SPRING		1	
26	532110452	NUT		1	
27	532401472	DEFLECTOR		1	
29	532131491	SHAFT		1	
30	532173984	SCREW		1	
31	532187690	WASHER		1	
32	532153532	PULLEY		1	
33	532400234	NUT		1	
36	532131494	PULLEY		1	
37	532193198	PULLEY		1	
40	873680600	NUT		1	
45	532124788	RETAINER RING		1	
55	532133840	LEVER		1	
56	532165723	SPACER		1	
67	532106932	KNOB		1	
68	532193214	BELT		1	
72	532193216	RESSORT RETOUR FREIN DE LAME		1	
89	819131311	WASHER		1	
101	532192573	COVER		1	
102	871081010	SCREW		1	
103	819061216	WASHER		1	
104	810071000	WASHER		1	
105	532160793	LATCH		1	
106	532125004	NUT		1	
107	532133502	SPACER		1	
108	532133503	LEVER		1	
122	532410189	ROD		1	
123	532410190	ROD		1	
144	532193414	BELT GUIDE		1	
148	532169022	SPRING		1	
149	532165898	SPRING		1	
150	819091210	WASHER		1	
152	532193235	CABLE		1	
158	817720408	SCREW		1	
185	532188234	CABLE		1	
186	817490644	SCREW		1	
187	532193412	BELT GUIDE		1	
188	532165891	BOLT		1	
189	532192559	SUPPORT BRAS DE FREIN		1	
190	532192560	ARM		1	
191	532192561	SPACER		1	
193	532193413	BELT GUIDE		1	
194	532194105	GARDE DE FREIN DE LAME		1	
195	819133210	WASHER		1	
214	532193782	BOLT		1	
--	532192558	FREIN DE LAME CPT.	(Includes Stand, Arm and Guard Components)	1	
--	532192870	SPINDLE	(Includes housing, shaft assembly, and bearing only - pulley/nut/washer and blade bolt/washers not included)	1	
--	532193646	HOUSING		1	



lift-rh.1piece_27

REF.	PART NO.	DESCRIPTION	REMARK	QTY.	KIT
1	532159460	WIRE		1	
2	532159471	LEVER		1	
3	532105767	PIN RETAINING SCREW		1	
4	812000002	RETAINER RING		1	
5	819211621	WASHER		1	
6	532120183	BEARING		1	
7	532109413	GRIP		1	
8	532124526	KNOB		1	
11	532139865	LINK		1	
12	532139866	LINK		1	
13	532124670	RETAINER RING		1	
15	532173288	LINK		1	
16	873350800	NUT		1	
17	532175689	BRACKET		1	
18	873800800	NUT		1	
19	532139868	LEVER		1	
20	532194209	SPRING		1	
31	532169865	BEARING		1	
32	873540600	NUT		1	
55	532194208	PIN		1	

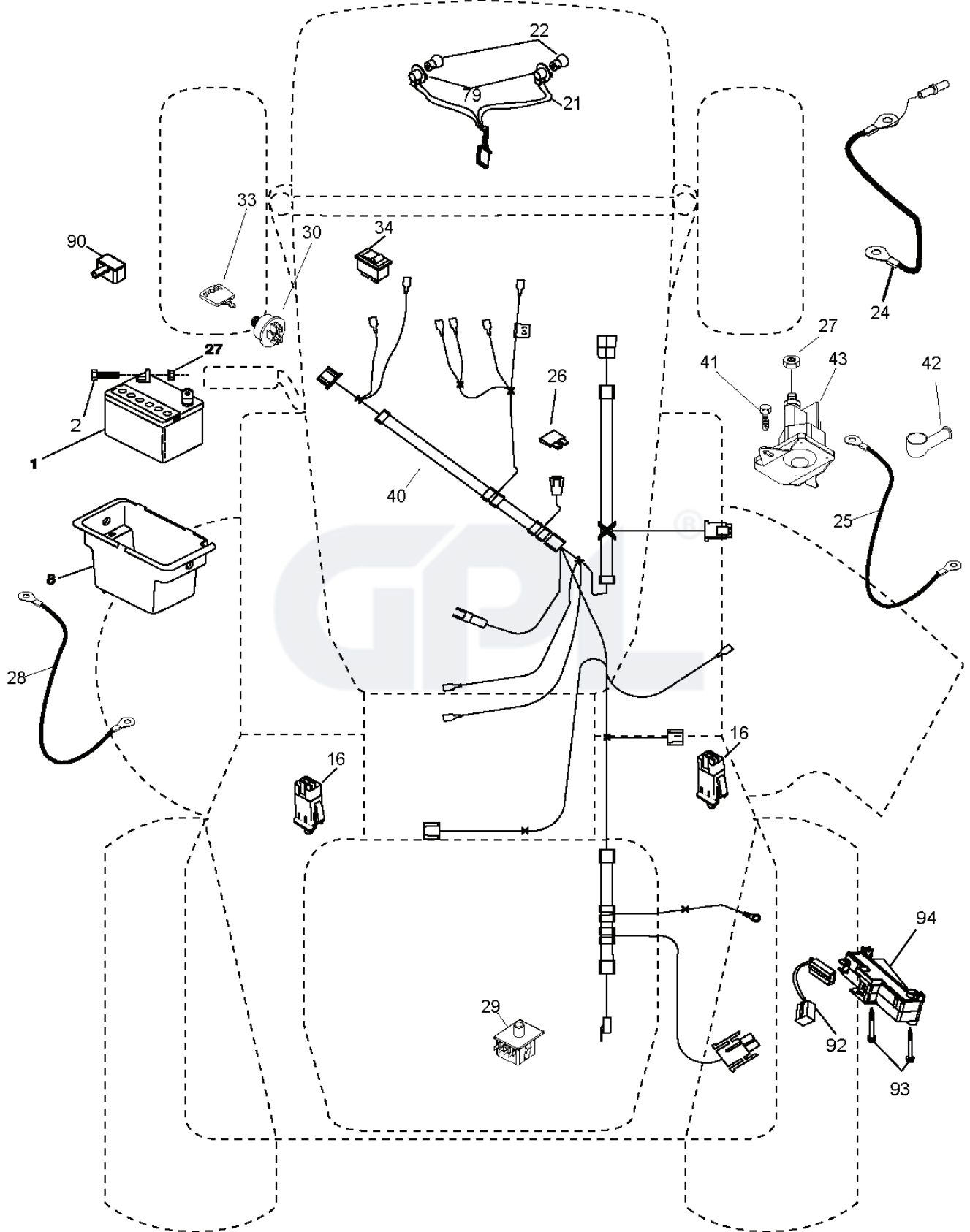




REF.	PART NO.	DESCRIPTION	REMARK	QTY.	KIT
1	532401042	SIEGE CONDUCTEUR		1	
2	532140551	BRACKET		1	
3	871110616	SCREW		1	
4	819131610	WASHER		1	
5	532145006	CLIP		1	
6	873800600	NUT		1	
7	532124181	SPRING		1	
8	817000616	SCREW		1	
9	819131614	WASHER		1	
10	532195530	BERCEAU DE SIEGE CONDUCTEUR		1	
12	532174648	BRACKET		1	
13	532121248	BUSHING		1	
14	872050412	BOLT		1	
15	532134300	SPACER		1	
16	532121250	SPRING		1	
17	532123976	LOCKNUT		1	
21	532171852	BOLT		1	
22	873800500	LOCK NUT		1	
23	871110814	BOLT		1	
24	819171912	WASHER		1	
25	532127018	BOLT		1	
26	810040800	WASHER		1	

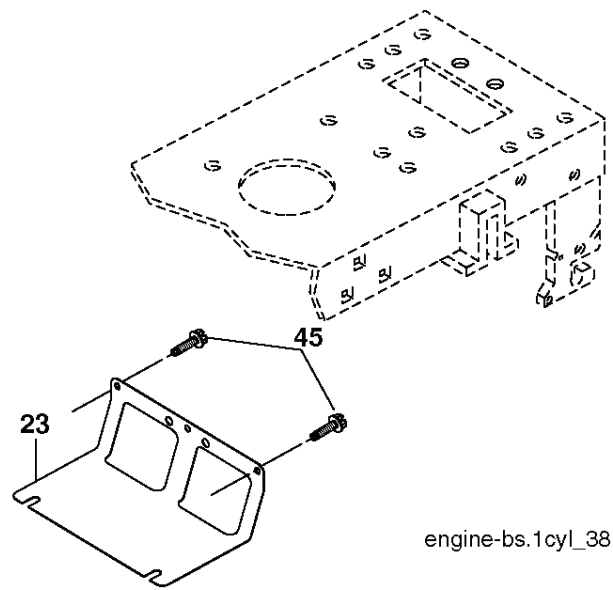
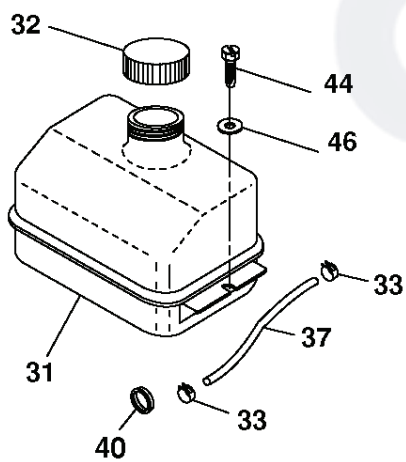
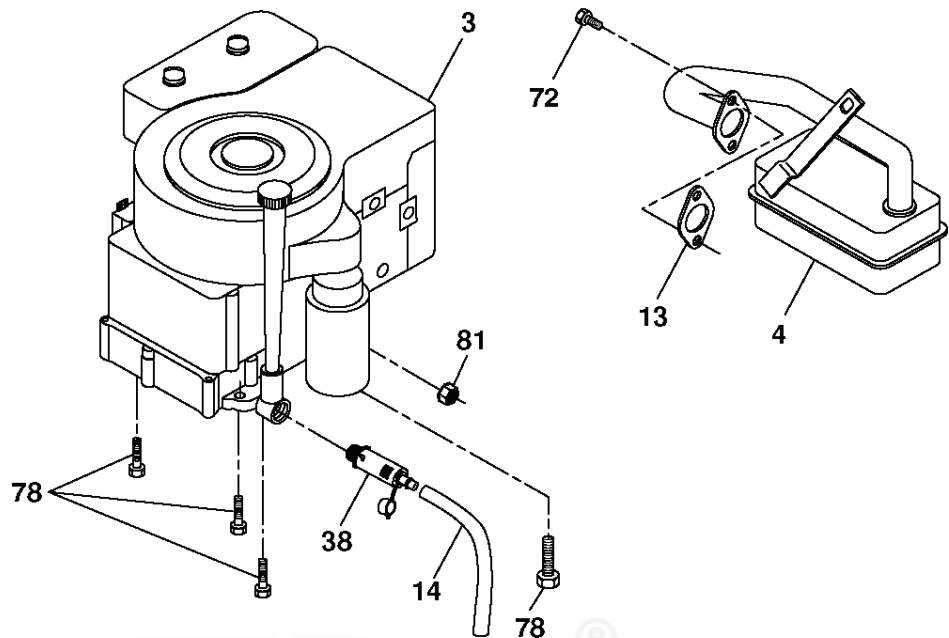
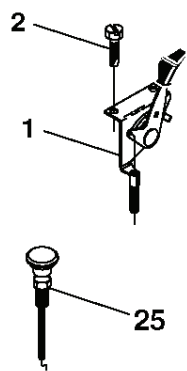


L02



REF.	PART NO.	DESCRIPTION	REMARK	QTY.	KIT
1	532163465	BATTERY		1	
2	874760412	BOLT		1	
8	532176689	BATTERY BOX		1	
16	532176138	MICRO SWITCH		1	
21	532183759	HARNESS		1	
22	532004152	BULB		1	
24	532124780	CABLE		1	
25	532146147	CABLE		1	
26	532175158	FUSE		1	
27	873510400	NUT		1	
28	532124773	CABLE		1	
29	532192749	SWITCH.SEAT.DP W/RAMPS		1	
30	532193350	IGNITION MODULE		1	
33	532411935	KEY		1	
34	532110712	SWITCH		1	
40	532197428	CABLE ASSY		1	
41	871110408	BOLT		1	
42	532131563	COVER		1	
43	532192507	SOLENOID		1	
79	532175242	HOLDER		1	
90	532180449	COVER		1	
92	532196615	CABLE ASSY		1	
93	532192540	SCREW		1	
94	532191834	MODULE.REVERSE.ROS		1	



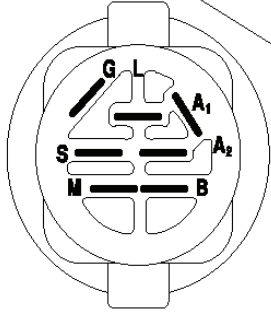
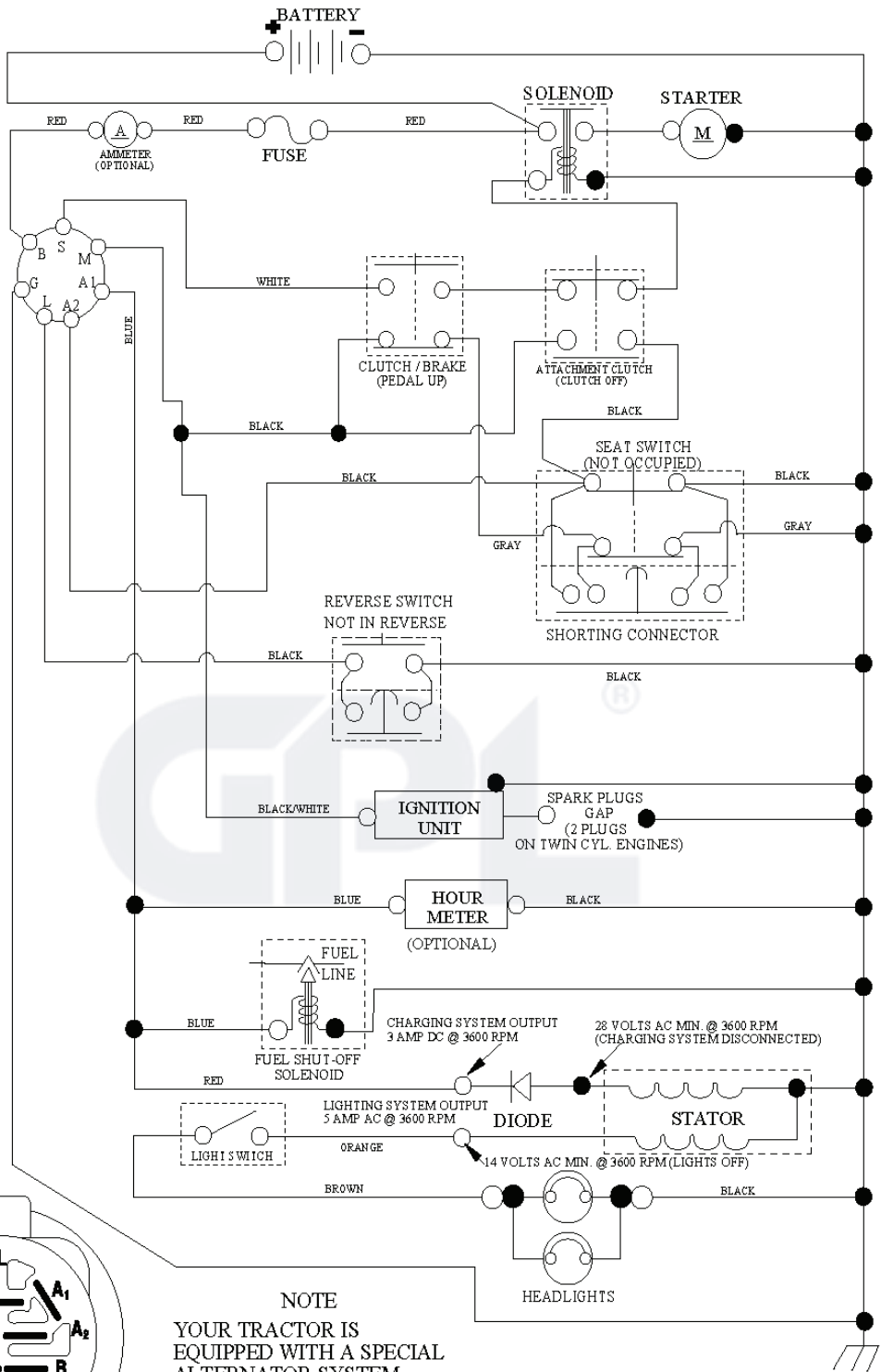


29

OPTIONAL EQUIPMENT
Spark Arrester

REF.	PART NO.	DESCRIPTION	REMARK	QTY.	KIT
1	532170551	THROTTLE CONTROL		1	
2	817720408	SCREW		1	
3				1	
4	532179758	MUFFLER		1	
13	532165291	GASKET		1	
14	532148456	TUBE		1	
23	532169837	HEAT SHIELD		1	
25	532190695	CONTROL CHOKE		1	
29	532137180	SPARK ARRESTER KIT		1	
31	532407516	FUEL TANK		1	
32	532197725	PLUG		1	
33	532123487	HOSE CLAMP		1	
37	532137040	HOSE		1	
38	532181654	PLUG		1	
40	532124028	BUSHING		1	
44	817670412	SCREW		1	
45	817000612	SCREW		1	
46	819091416	WASHER		1	
72	532192334	SCREW		1	
78	817060620	SCREW		1	
81	873510400	NUT		1	





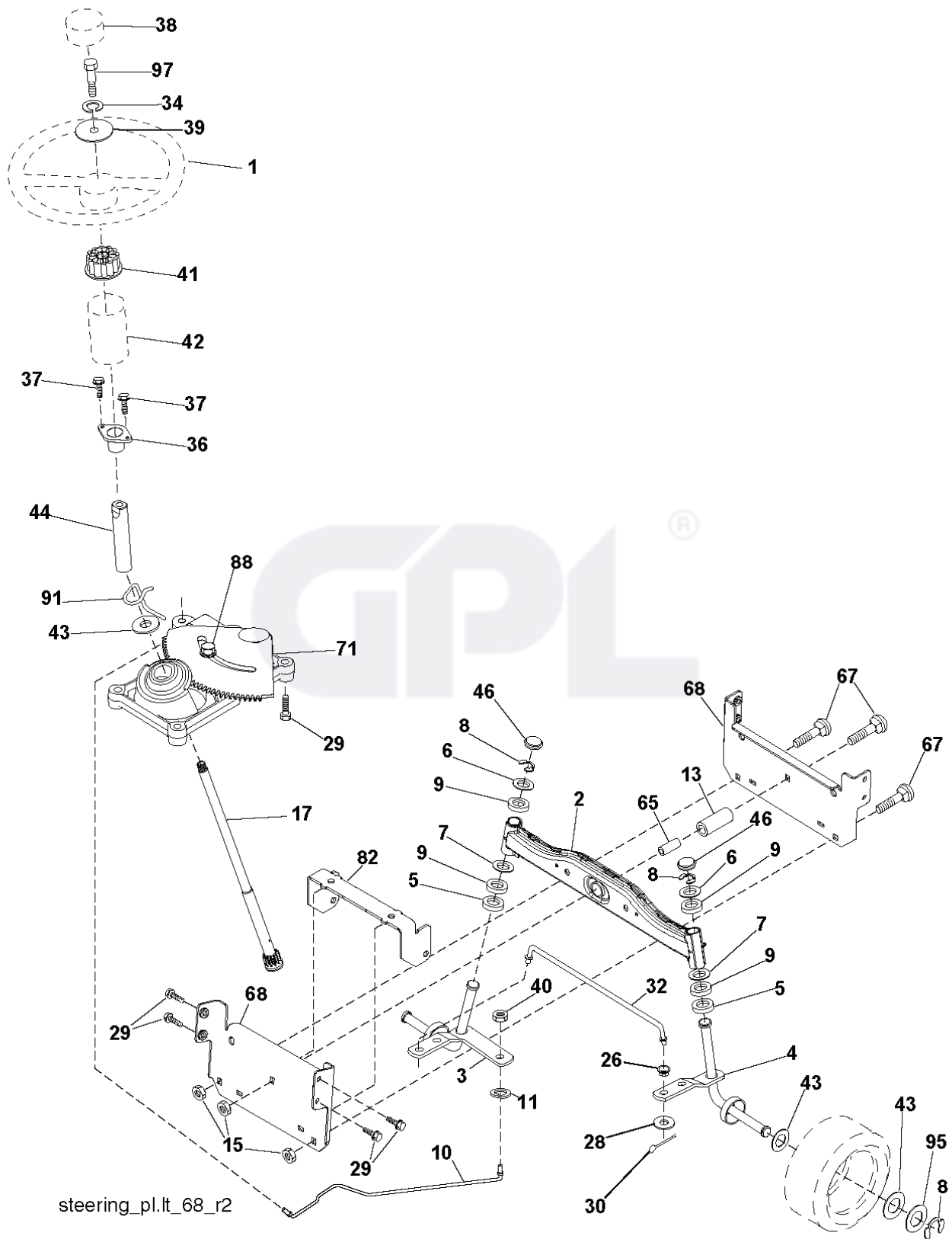
IGNITION SWITCH

POSITION	CIRCUIT "MAKE"
OFF	M+G+A1
RUN/OVERRIDE	B+A1
RUN	B+A1 L+A2
START	B + S + A1

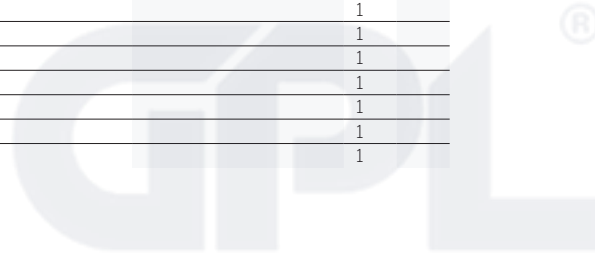
NOTE
 YOUR TRACTOR IS EQUIPPED WITH A SPECIAL ALTERNATOR SYSTEM. THE LIGHTS ARE NOT CONNECTED TO THE BATTERY, BUT HAVE THEIR OWN ELECTRICAL SOURCE. BECAUSE OF THIS, THE BRIGHTNESS OF THE LIGHTS WILL CHANGE WITH ENGINE SPEED. AT IDLE THE LIGHTS WILL DIM. AS THE ENGINE IS SPEEDED UP, THE LIGHTS WILL BECOME THEIR BRIGHTEST.

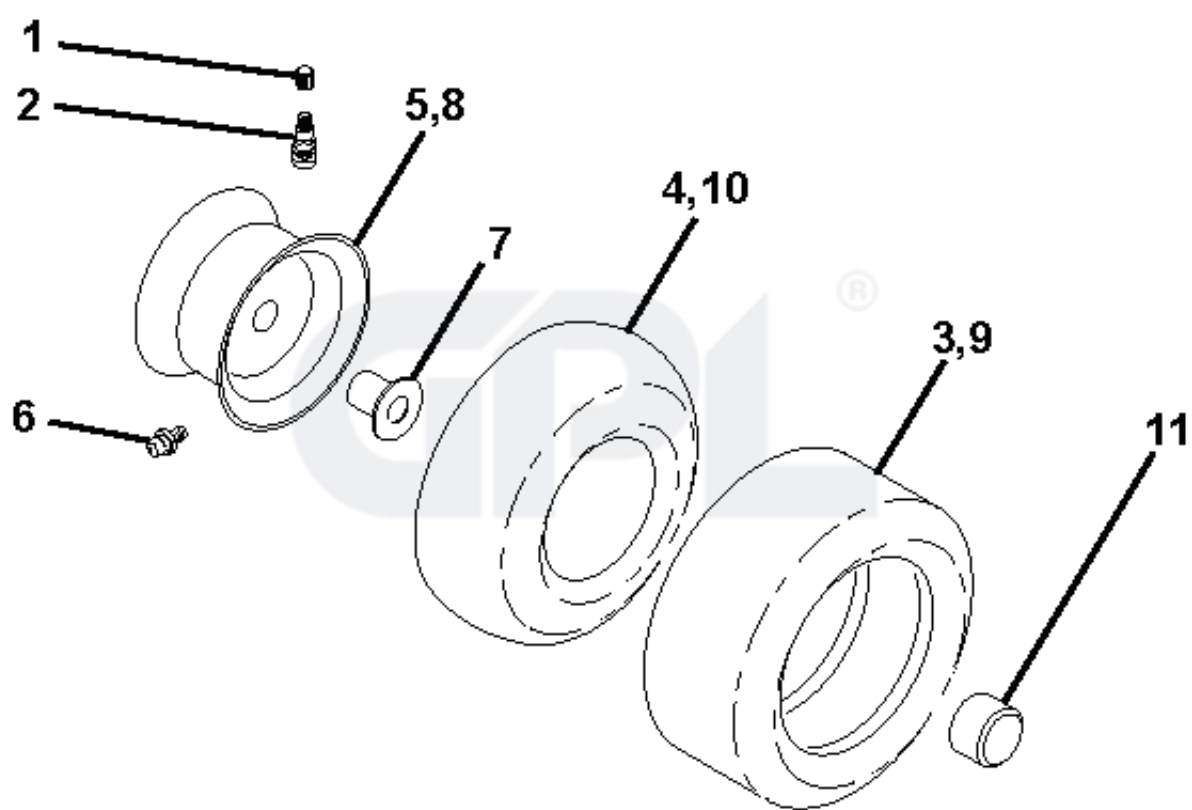


WIRING INSULATED CLIPS
 NOTE: IF WIRING INSULATED CLIPS WERE REMOVED FOR SERVICING OF UNIT, THEY SHOULD BE RE-INSTALLED TO PROPERLY SECURE YOUR WIRING.



REF.	PART NO.	DESCRIPTION	REMARK	QTY.	KIT
1	532186780	STEERING WHEEL		1	
2	532195673	SHAFT		1	
3	532169840	SPINDLE		1	
4	532169839	SPINDLE		1	
5	532124931	WASHER		1	
6	532121748	WASHER		1	
7	819272016	WASHER		1	
8	812000029	RETAINER RING		1	
9	532124937	BEARING COL. STRG.		1	
10	532175121	ROD		1	
11	810040600	WASHER		1	
13	532136518	PIPE		1	
15	532145212	NUT		1	
17	532190753	ROD		1	
26	532126847	BUSHING		1	
28	819131416	WASHER		1	
29	817000612	SCREW		1	
30	876020412	SPLIT PIN		1	
32	532192757	TIGE D'ASSEMBLAGE		1	
34	810040500	WASHER		1	
36	532155099	BUSHING		1	
37	532152927	SCREW		1	
38	532192916	INSERT DE VOLANT		1	
39	819113812	WASHER		1	
40	873540600	NUT		1	
41	532186737	ADAPTER		1	
42	532169633	SLEEVE		1	
43	532121749	WASHER		1	
44	532190752	SHAFT		1	
46	532121232	HUB CAP		1	
65	532414736	SPACER		1	
67	872110618	BOLT		1	
68	532169827	SHAFT		1	
71	532175146	STEERING GEAR		1	
82	532199978	SUPPORT ESSIEU AVANT		1	
88	532175118	BOLT		1	
91	532175553	SPRING		1	
95	532188967	WASHER		1	
97	874780564	BOLT		1	





REF.	PART NO.	DESCRIPTION	REMARK	QTY.	KIT
1	532059192	CAP VALVE		1	
2	532065139	NIPPLE		1	
3	532124157	TIRE		1	
4	532059904	HOSE		1	
5	532125121	RIM		1	
6	532124957	FITTING		1	
7	532124959	BEARING		1	
8	532125122	RIM		1	
9	532123969	TIRE		1	
10	532124926	HOSE		1	
11	532175039	HUB CAP		1	
	PART NO.		REMARK		KIT

