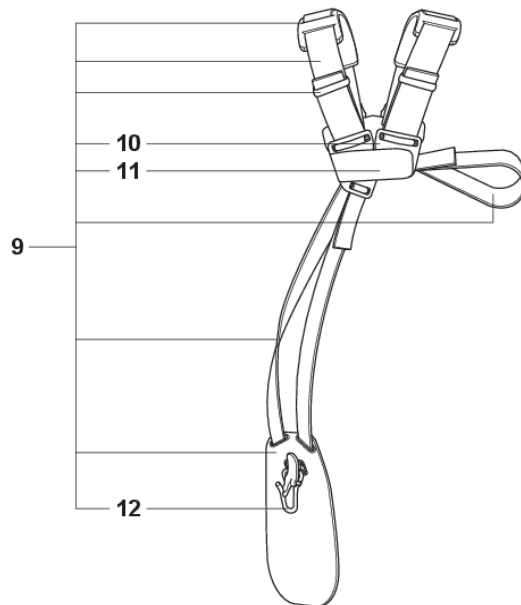
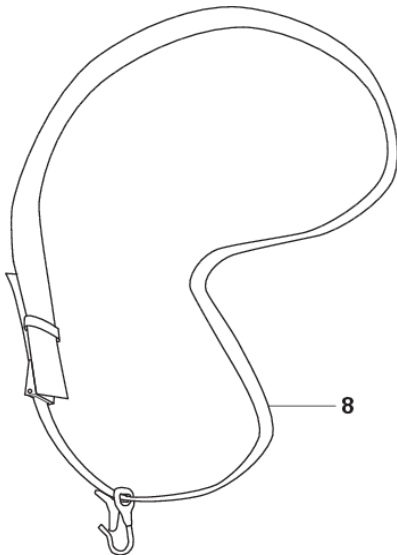
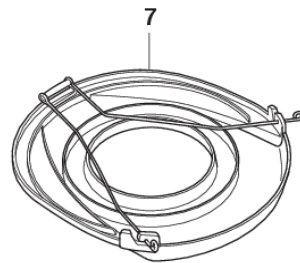
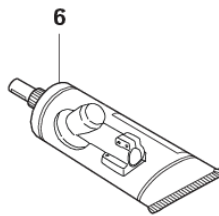
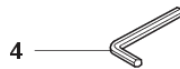
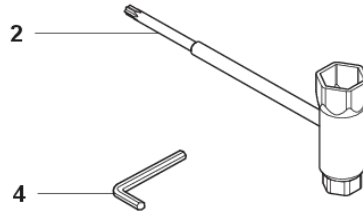
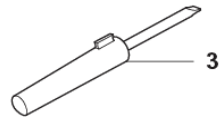
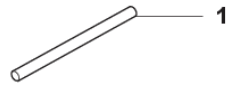


RESERVDELSKATALOG
: HUSQVARNA 525RXT MARK II

Reservdelslista

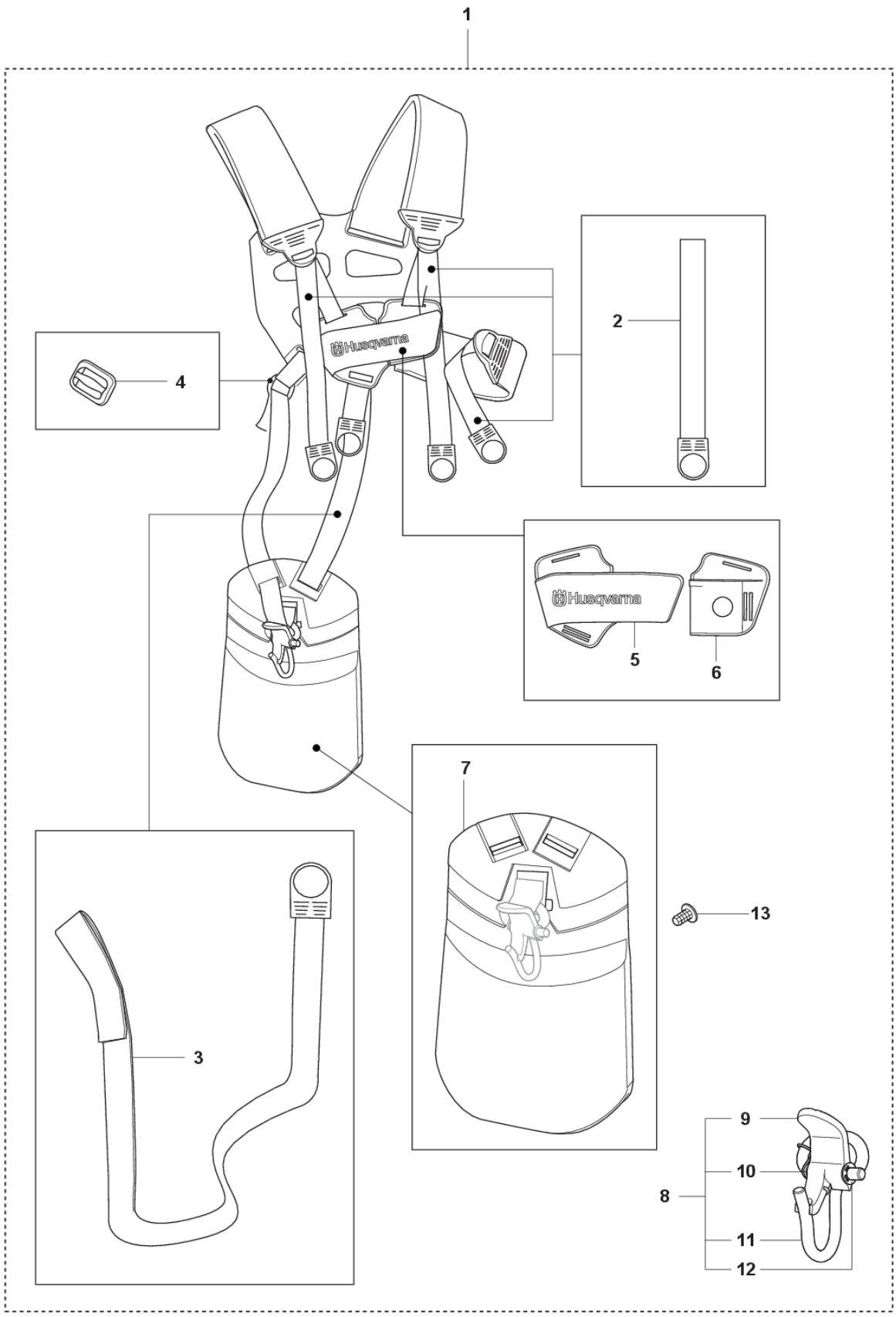
RESERVDELSLISTA

**525RXT Mark II
ACCESSORIES**



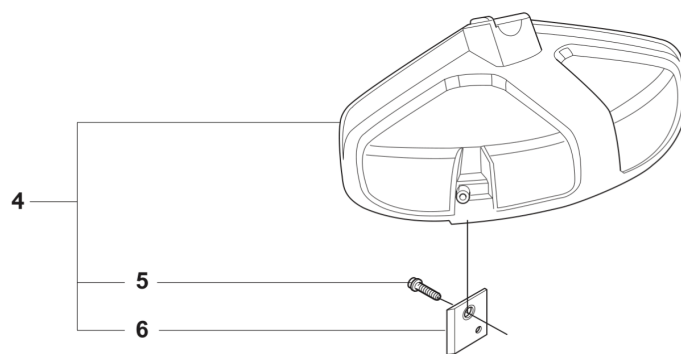
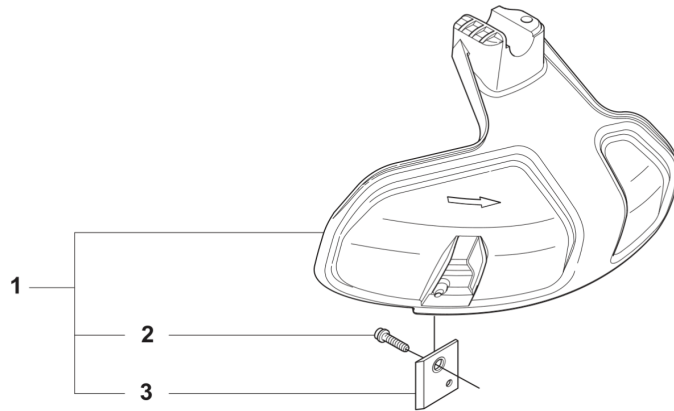
| REF. | ART. NR | ARTIKELBESKRIVNING | ANMÄRKNING | KIT |
|------|-----------|--------------------|-------------|-----|
| 1 | 502285901 | STOPP | | 1 |
| 2 | 575738202 | KOMBINYCKEL | | 1 |
| 3 | 501600203 | SKRUVMEJSEL | | 1 |
| 4 | 502215801 | SKIFTNYCKEL | | 1 |
| 5 | 531009248 | FILTEROLJA | | 1 |
| 6 | 503976401 | FETT | 200 - 275mm | 1 |
| 7 | 537312901 | TRANSPORTSKYDD | | 1 |
| 8 | 537216201 | SELE | | 1 |
| 9 | 537216301 | SELE | | 1 |
| 10 | 503734001 | FRONT PIECE | | 1 |
| 11 | 503734102 | SPÄNNE | | 1 |
| 12 | 502022802 | UPPHÄNGNINGSKROK | | 1 |

Duo Balance
HARNESS



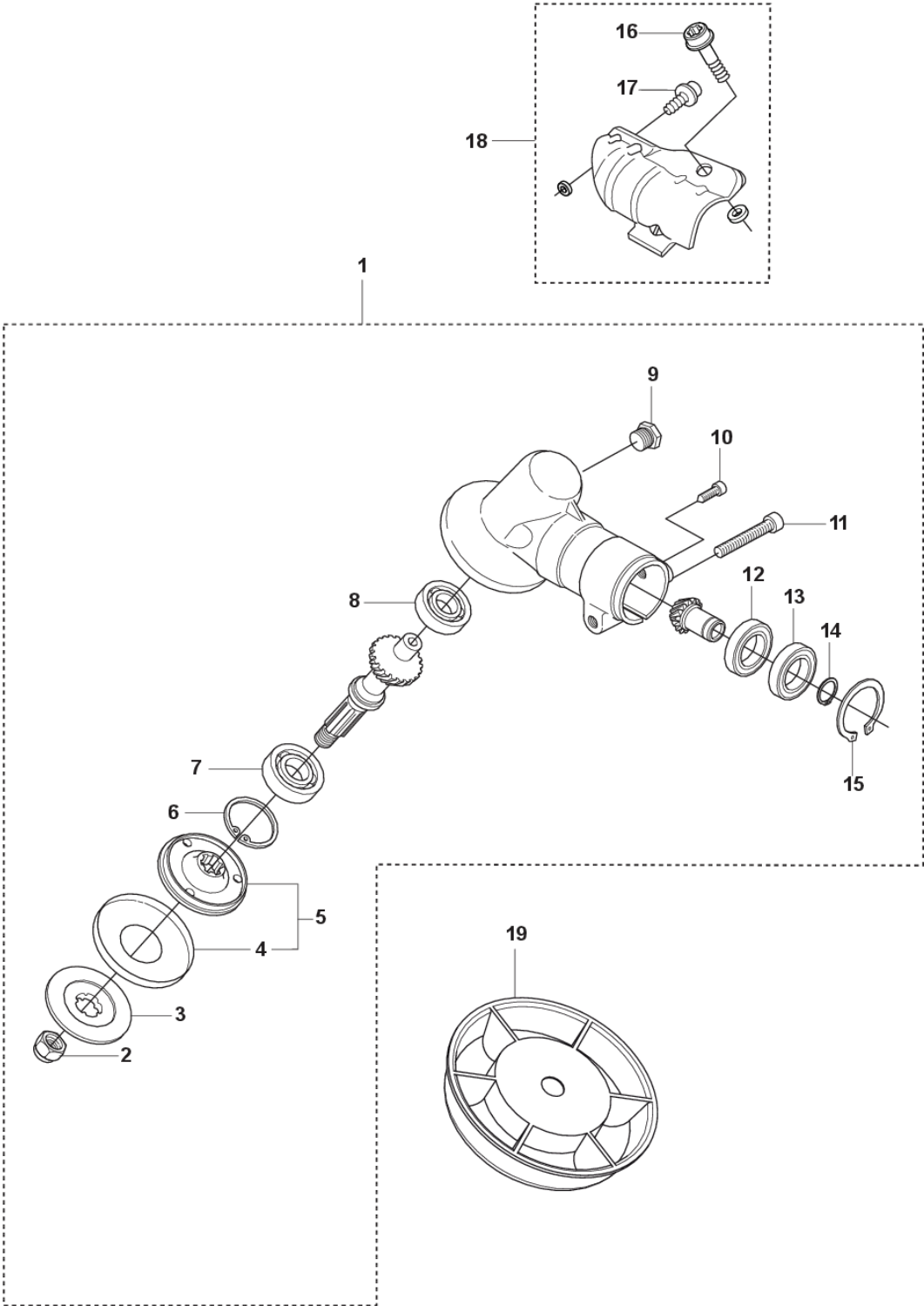
| REF. | ART. NR | ARTIKELBESKRIVNING | ANMÄRKNING | KIT |
|------|-----------|--------------------|------------|-----|
| 1 | 537275701 | SELE | | 1 |
| 2 | 503996101 | BAND | | 3 |
| 3 | 503996103 | BAND | | 1 |
| 4 | 537287001 | SPÄNNE | | 1 |
| 5 | 537288401 | SPÄNNE | | 1 |
| 6 | 537288301 | SPÄNNE | | 1 |
| 7 | 537275901 | HÖFTPUTA | | 1 |
| 8 | 502022806 | UPPHÄNGNINGSKROK | | 1 |
| 9 | 502023003 | LÅS | | 1 |
| 10 | 586341001 | FJÄDER | | 1 |
| 11 | 502022902 | KROK | | 1 |
| 12 | 735310920 | SPÄRRYTARE | | 1 |
| 13 | 537175401 | HÖFTPUTA | | 3 |

**525RXT Mark II
ACCESSORIES**



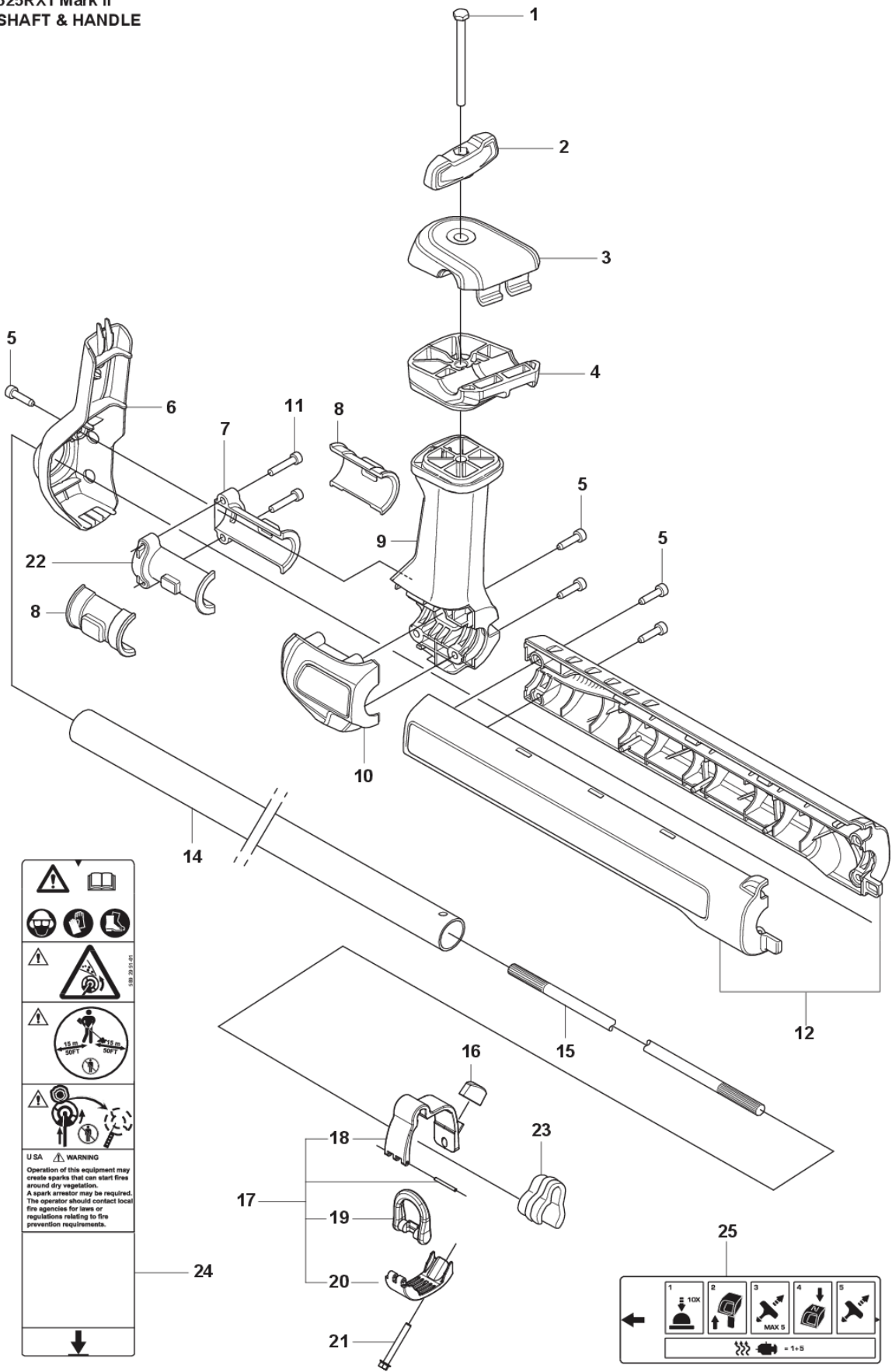
| REF. | ART. NR | ARTIKELBESKRIVNING | ANMÄRKNING | KIT |
|------|-----------|--------------------|------------|-----|
| 1 | 588543701 | TRIMSKYDD KPL | | 1 |
| 2 | 576275601 | SCREW ITXSCFT | | 1 |
| 3 | 503798802 | KNIV | | 1 |
| 4 | 588117901 | KOMBINATIONSSKYDD | | 1 |
| 5 | 576275601 | SCREW ITXSCFT | | 1 |
| 6 | 503798802 | KNIV | | 1 |

525RXT Mark II
BEVEL GEAR



| REF. | ART. NR | ARTIKELBESKRIVNING | ANMÄRKNING | KIT |
|------|-----------|--------------------|------------|-----|
| 1 | 536503801 | VINKELVÄXEL KPL | | 1 |
| 2 | 503856301 | MUTTER | | 1 |
| 3 | 537285601 | STÖDFLÄNS | | 1 |
| 4 | 537292601 | KOPP | | 1 |
| 5 | 537234901 | MEDBRINGARE KPL | | 1 |
| 6 | 735312810 | SPÄRRING | | 1 |
| 7 | 525831801 | KULLAGER | | 1 |
| 8 | 738219800 | KULLAGER | | 1 |
| 9 | 503201501 | SCREW | | 1 |
| 10 | 503201412 | SKRUV IHSCFMO | | 1 |
| 11 | 503200725 | SKRUV IHSCFM | | 1 |
| 12 | 738219900 | KULLAGER | | 1 |
| 13 | 738219902 | KULLAGER | | 1 |
| 14 | 735311100 | SPÄRRING | | 1 |
| 15 | 735312510 | SPÄRRING | | 1 |
| 16 | 544218420 | SKRUV ITXSCM | | 1 |
| 17 | 501981001 | SKRUV ITXSCM | | 1 |
| 18 | 574306903 | ÖVERFALL | | 1 |
| 19 | 503890101 | STÖDKOPP | | 1 |

**525RXT Mark II
SHAFT & HANDLE**

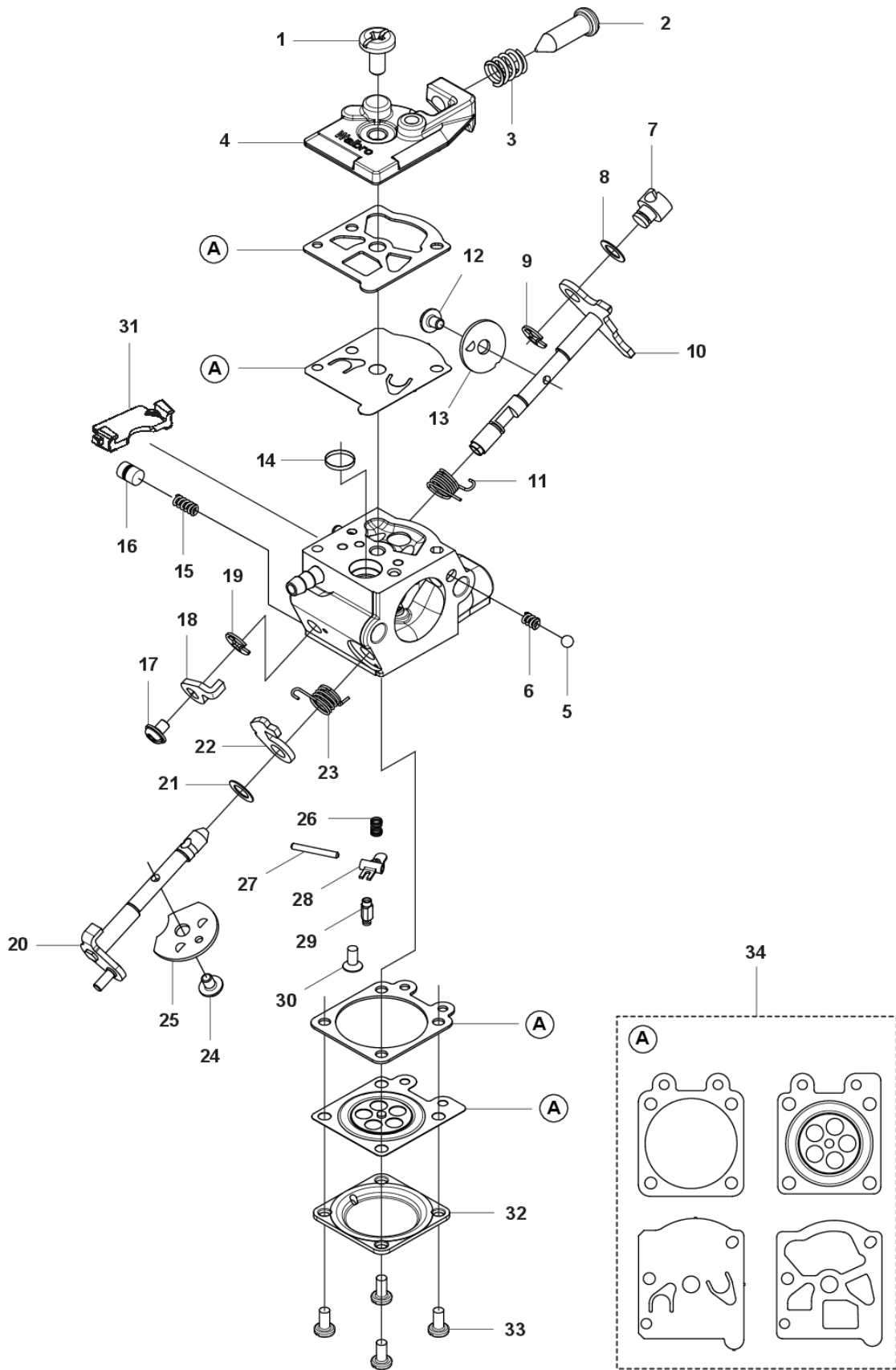


USA WARNING
 Operation of this equipment may create sparks that can start fires around dry vegetation. A spark arrester may be required. The operator should contact local fire agencies for laws or regulations relating to fire prevention requirements.

= 1+5

| REF. | ART. NR | ARTIKELBESKRIVNING | ANMÄRKNING | KIT |
|------|-----------|--------------------|------------|-----|
| 1 | 725238651 | SKRUV EHHM | M6x60 | 1 |
| 2 | 598404301 | KNOPP | | 1 |
| 3 | 536028401 | ÖVERFALL | | 1 |
| 4 | 536028301 | ÖVERFALL | | 1 |
| 5 | 525764604 | SCREW ITXSCT | | 9 |
| 6 | 598785401 | KÅPA | | 1 |
| 7 | 578139001 | FÄSTE | | 1 |
| 8 | 578139201 | ABSORBER | | 1 |
| 9 | 598403901 | STYRHÅLLARE | | 1 |
| 10 | 598404101 | KÅPA | | 1 |
| 11 | 525825001 | SKRUV ITXSCM | | 2 |
| 12 | 546158401 | SLITSKYDD | | 1 |
| 14 | 584977901 | RÖR | | 1 |
| 15 | 581815101 | DRIVAXEL | | 1 |
| 16 | 537130402 | KNOPP | | 1 |
| 17 | 598405501 | ÖGLA | | 1 |
| 18 | 536143501 | ÖVERFALL | | 1 |
| 19 | 537350101 | ÖGLA | | 1 |
| 20 | 536143401 | ÖVERFALL | | 1 |
| 21 | 536143401 | ÖVERFALL | | 1 |
| 22 | 578139101 | FÄSTE | | 1 |
| 23 | 502211201 | KLAMMER | | 1 |
| 24 | 589295101 | DEKAL | | 1 |
| 25 | 579562301 | DEKAL | | 1 |

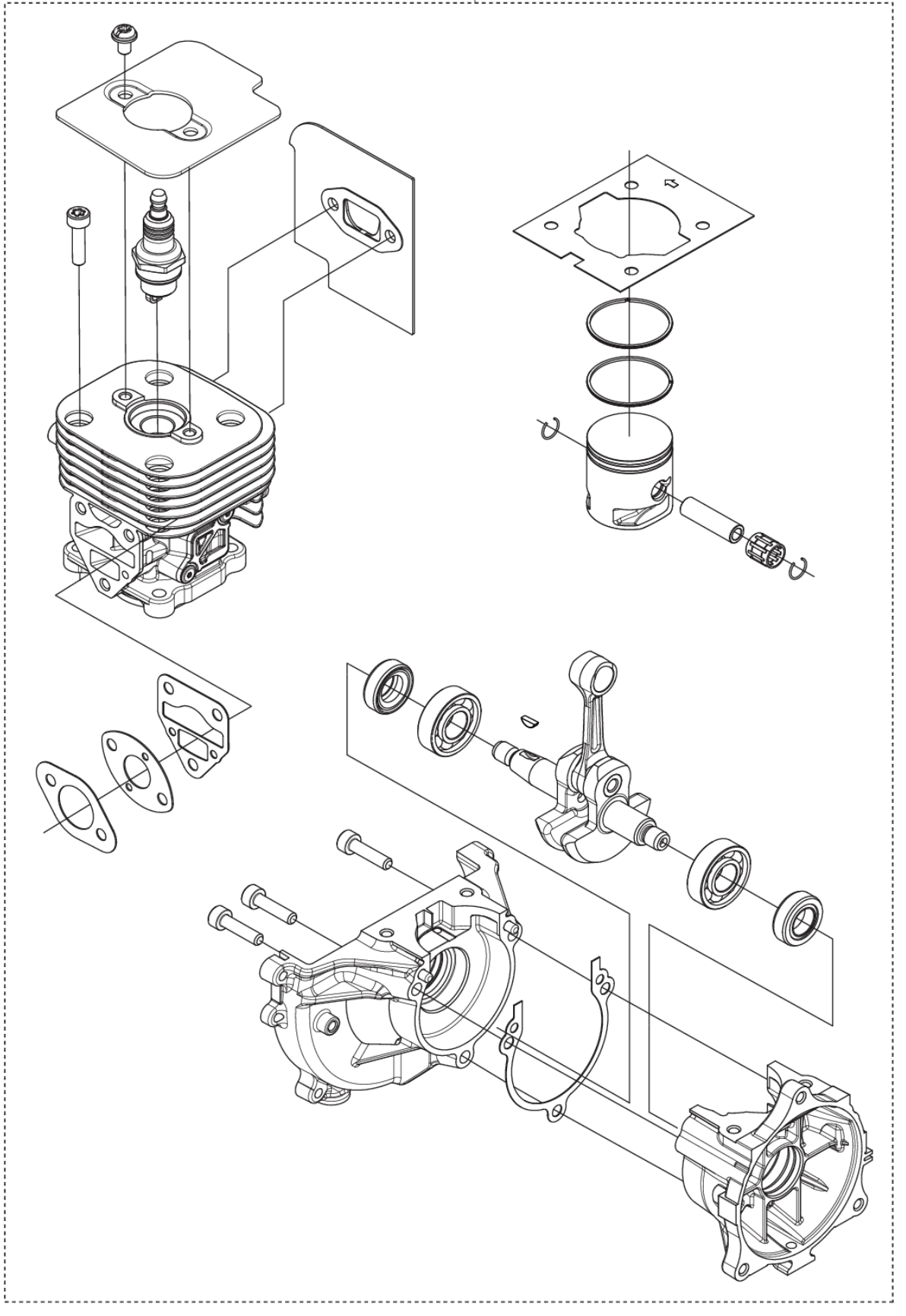
525RXT Mark II
CARBURETOR



| REF. | ART. NR | ARTIKELBESKRIVNING | ANMÄRKNING | KIT |
|------|-----------|--------------------|------------|-----|
| 1 | 520976301 | SCREW | | 1 |
| 2 | 577815701 | SCREW | | 1 |
| 3 | 513593201 | FJÄDER | | 1 |
| 4 | 579190601 | KÅPA | | 1 |
| 5 | 514242601 | KULA | | 1 |
| 6 | 514243301 | SPRING.CHOKE | | 1 |
| 7 | 513400801 | SVIVEL | | 1 |
| 8 | 516524201 | BRICKA | | 1 |
| 9 | 506738601 | FLÄNSRING | | 1 |
| 10 | 579190701 | AXEL | | 1 |
| 11 | 577815501 | FJÄDER | | 1 |
| 12 | 520759801 | SCREW | | 1 |
| 13 | 514251901 | VALVE.THROTTLE | | 1 |
| 14 | 520957001 | NÄT | | 1 |
| 15 | 505057901 | FJÄDER | | 1 |
| 16 | 521578301 | KOLV | | 1 |
| 17 | 520759801 | SCREW | | 1 |
| 18 | 579190801 | HÄVARM | | 1 |
| 19 | 505056501 | RING | | 1 |
| 20 | 579191001 | AXEL | | 1 |
| 21 | 516524201 | BRICKA | | 1 |
| 22 | 584901301 | HÄVARM | | 1 |
| 23 | 579191101 | FJÄDER | | 1 |
| 24 | 520759801 | SCREW | | 1 |
| 25 | 529878001 | VENTIL | | 1 |
| 26 | 578895401 | FJÄDER | | 1 |
| 27 | 520977401 | TAPP | | 1 |
| 28 | 577807201 | HÄVARM | | 1 |
| 29 | 521085401 | VALVE.INLET | | 1 |
| 30 | 577807101 | SCREW | | 1 |
| 31 | 529878101 | PLATTA | | 1 |
| 32 | 514189201 | KÅPA | | 1 |
| 33 | 520978801 | SCREW ASSY | | 4 |
| 34 | 580684801 | PACKNINGSSATS | | 1 |

525RXT Mark II
SHORT BLOCK

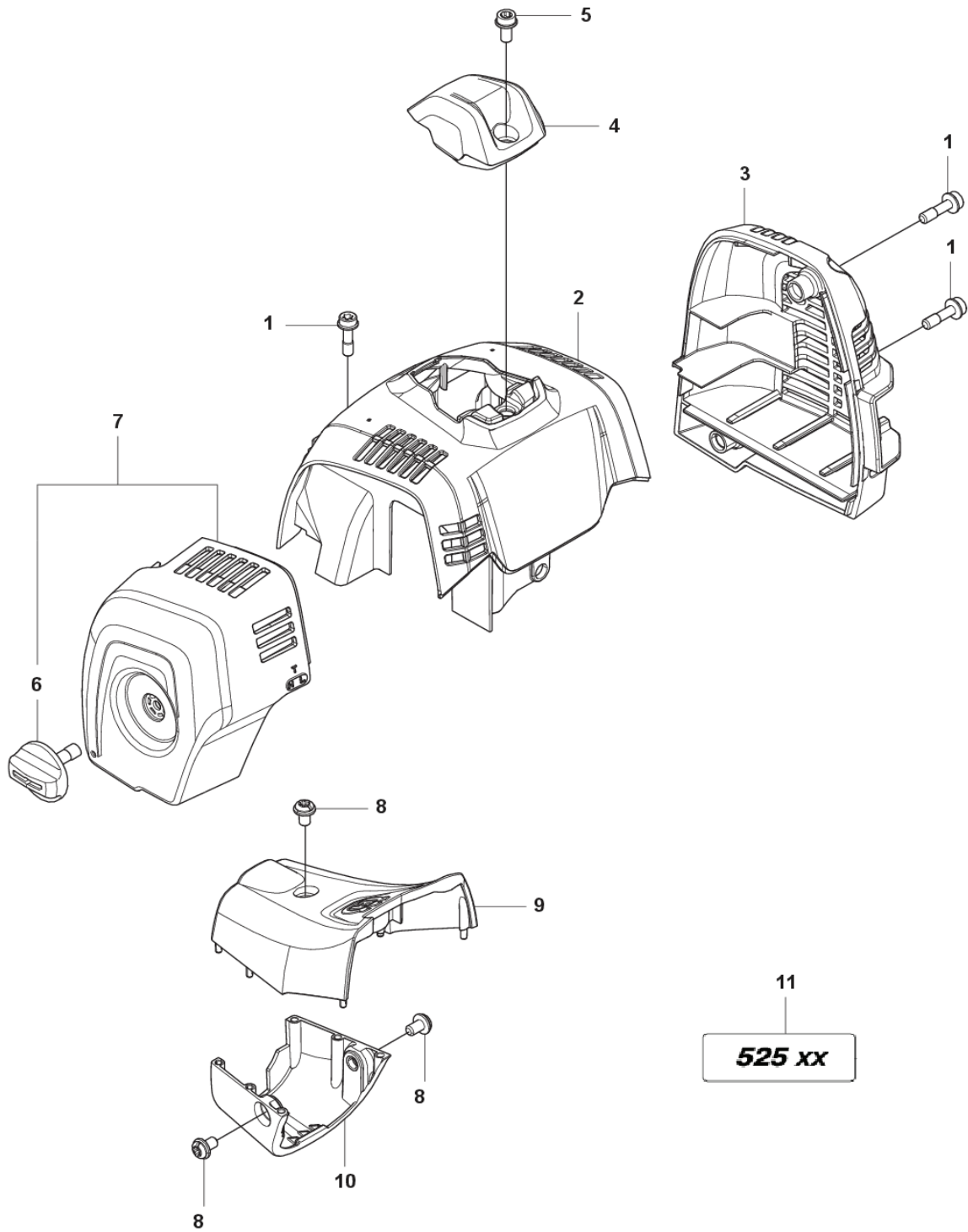
1



| REF. | ART. NR | ARTIKELBESKRIVNING | ANMÄRKNING | KIT |
|------|-----------|--------------------|------------|-----|
| 1 | 535691301 | SHORT BLOCK | | 1 |

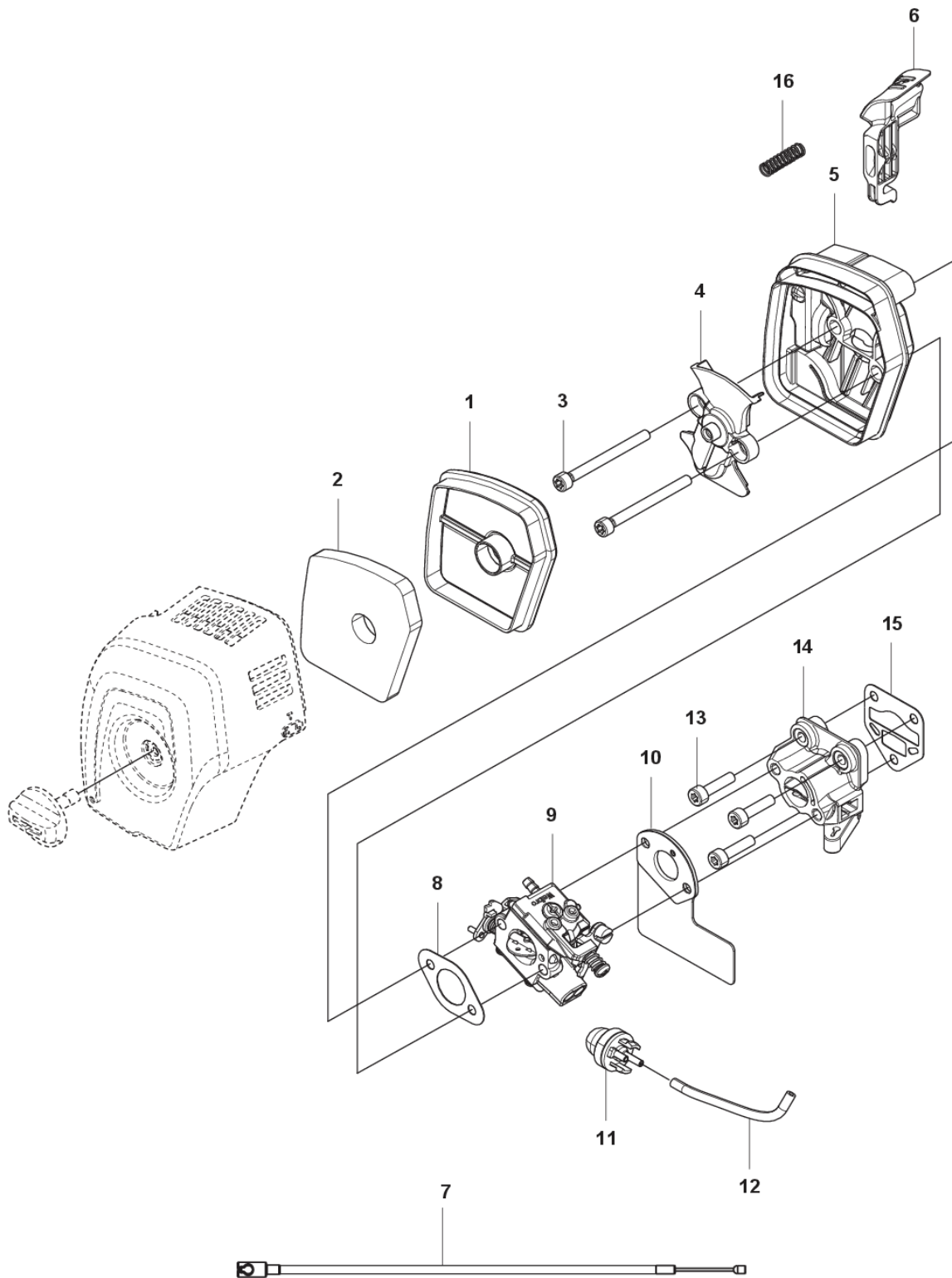
| REF. | ART. NR | ARTIKELBESKRIVNING | ANMÄRKNING | KIT |
|------|-----------|--------------------|------------|-----|
| 1 | 537424513 | HANDTAG.KPL | | 1 |
| 2 | 578248101 | KABLAG | | 1 |
| 3 | 503221013 | MUTTER (HEXAGON) | | 1 |
| 4 | 537160209 | HANDTAGSHALVA | | 1 |
| 5 | 537419001 | BRYTARE | | 1 |
| 6 | 537174201 | FJÄDER | | 1 |
| 7 | 578248001 | GASREGLAGE | | 1 |
| 8 | 537160703 | GASSPÄRR | | 1 |
| 9 | 537174301 | FJÄDER | | 1 |
| 10 | 537160302 | HANDTAGSHALVA | | 1 |
| 11 | 574444001 | SCREW.ITXSCT | | 2 |
| 12 | 525755109 | SKRUV.ITXSCFM | M5X35 | 1 |
| 13 | 598406901 | STYRE | | 1 |
| 14 | 731231401 | MUTTER (HEXAGON) | | 1 |
| 15 | 537172801 | HANDTAG | | 1 |
| 16 | 525755204 | SKRUV.ITXSCFM | | 1 |
| 17 | 537172901 | KÅPA | | 1 |
| 18 | 537360001 | STYRE | | 1 |
| 19 | 502211201 | KLAMMER | | 1 |
| 20 | 503216618 | SKRUV.IHSCT | | 1 |

525RXT Mark II
COVERS



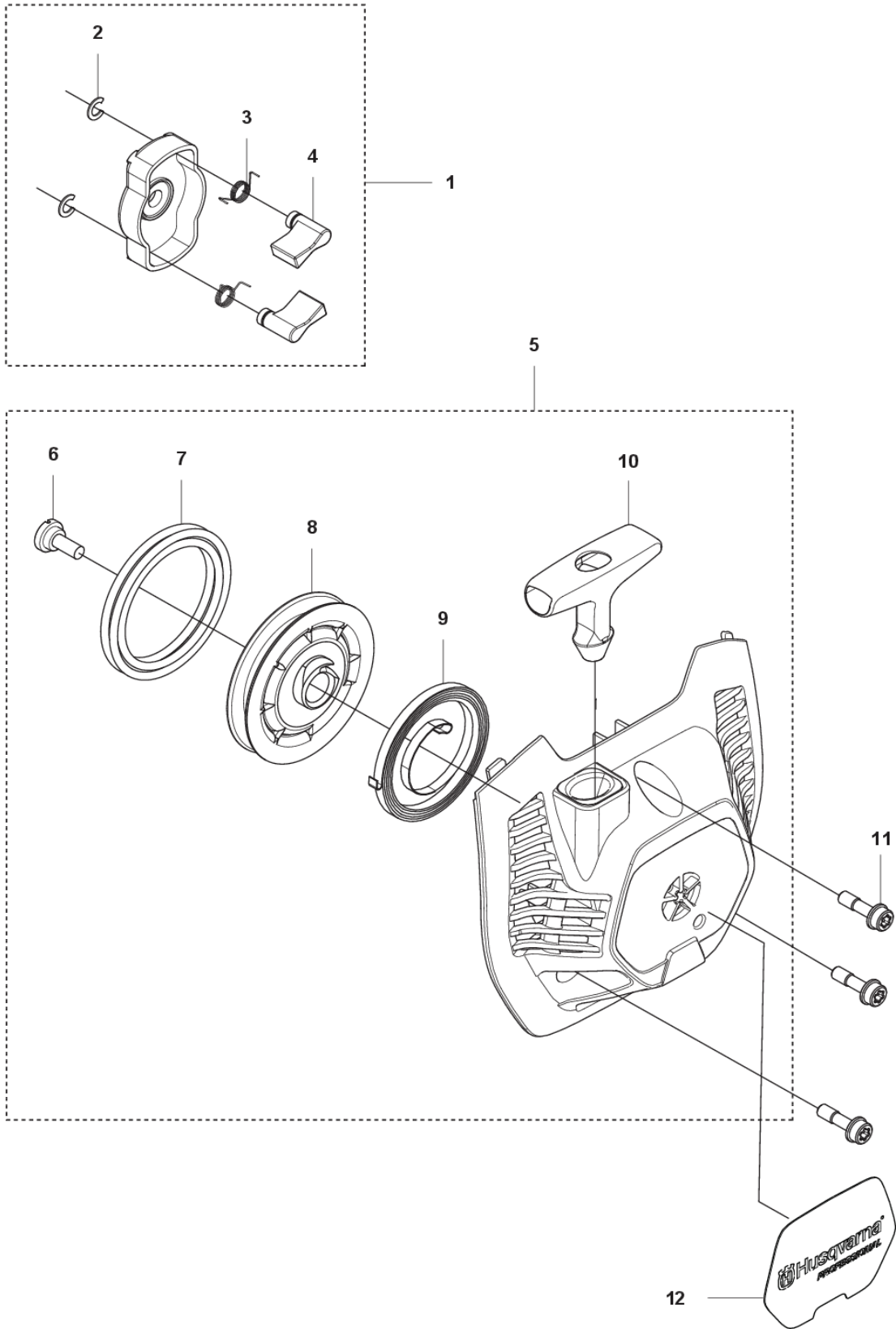
| REF. | ART. NR | ARTIKELBESKRIVNING | ANMÄRKNING | KIT |
|------|-----------|--------------------|------------|-----|
| 1 | 577815401 | BULT | | 3 |
| 2 | 597697401 | CYLINDERKÅPA | | 1 |
| 3 | 597697501 | MUFFLER GUARD | | 1 |
| 4 | 598455101 | KÅPA | | 1 |
| 5 | 593805001 | SCREW | | 1 |
| 6 | 576992405 | KNOPP | | 1 |
| 7 | 535275001 | FILTERKÅPA KPL | | 1 |
| 8 | 544256801 | SCREW | | 3 |
| 9 | 598407201 | KÅPA | | 1 |
| 10 | 537526201 | KÅPA | | 1 |
| 11 | 599498604 | DEKAL | | 1 |

525RXT Mark II
CARBURETOR & AIRFILTER



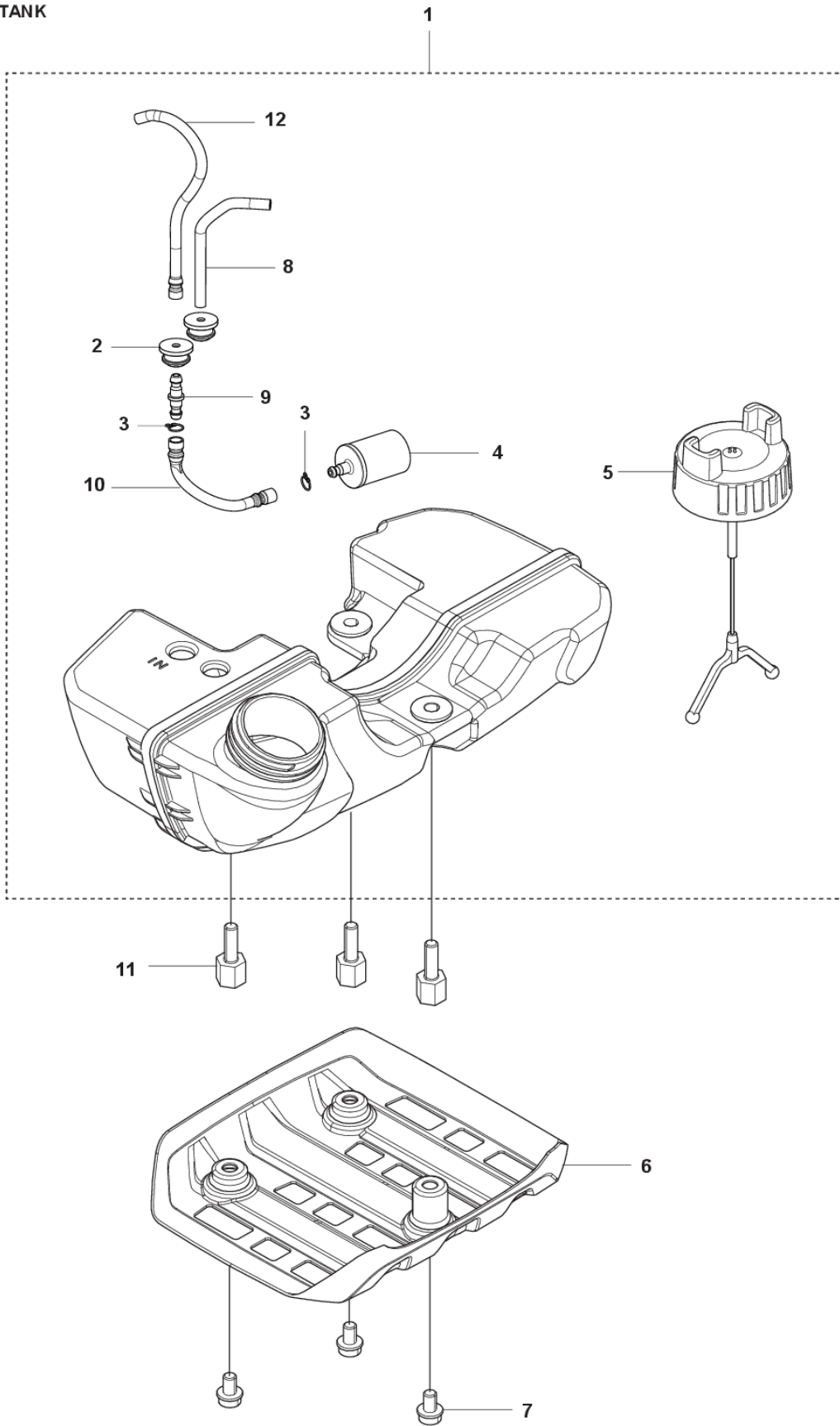
| REF. | ART. NR | ARTIKELBESKRIVNING | ANMÄRKNING | KIT |
|------|-----------|--------------------|------------|-----|
| 1 | 597719601 | LUFTFILTER | | 1 |
| 2 | 597719701 | LUFTFILTER | | 1 |
| 3 | 580467201 | BULT | | 1 |
| 4 | 598567101 | PLATTA | | 1 |
| 5 | 597697601 | FILTER HOUSING | | 1 |
| 6 | 597719401 | CHOKEREGLAGE | | 1 |
| 7 | 590900001 | GASVAJER | | 1 |
| 8 | 577882402 | PACKNING | | 1 |
| 9 | 597697302 | FÖRGASARE | | 1 |
| 10 | 599393601 | PACKNING | | 1 |
| 11 | 503936601 | PURGE | | 1 |
| 12 | 577050501 | RÖR | | 1 |
| 13 | 504114301 | SCREW | | 1 |
| 14 | 597718001 | ISOLATOR | | 1 |
| 15 | 576398901 | PACKNING | | 1 |
| 16 | 599373001 | FJÄDER | | 1 |

525RXT Mark II
STARTER



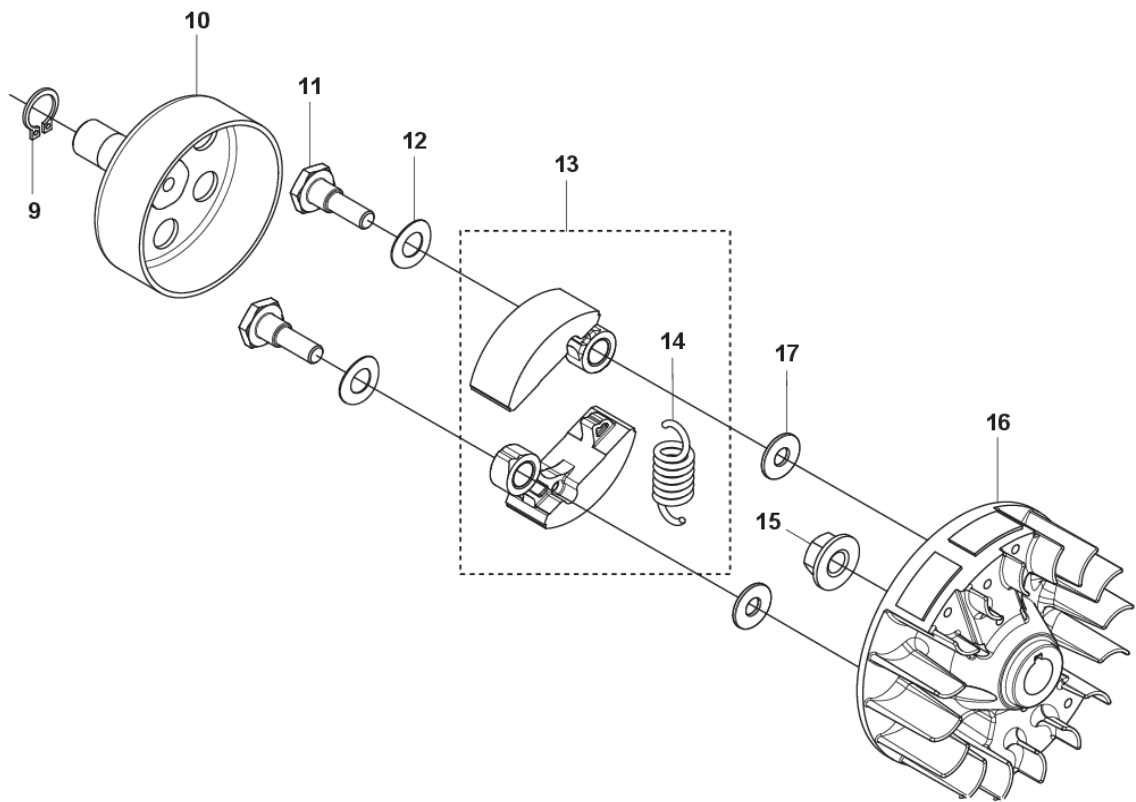
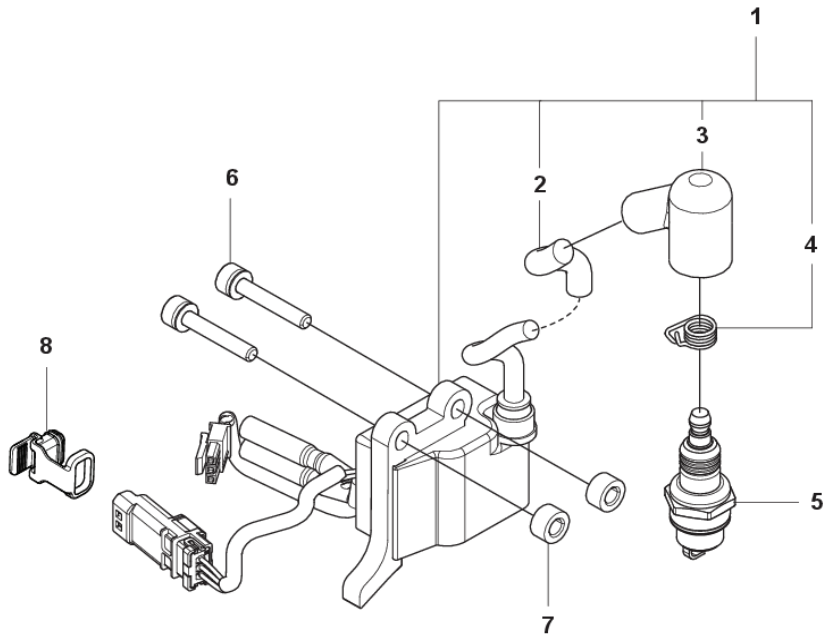
| REF. | ART. NR | ARTIKELBESKRIVNING | ANMÄRKNING | KIT |
|------|-----------|--------------------|------------|-----|
| 1 | 596330401 | LINHJUL KPL | | 1 |
| 2 | 501939001 | KLÄMMA | | 2 |
| 3 | 596330801 | FJÄDER | | 2 |
| 4 | 596330501 | SPÄRRHAKE | | 2 |
| 5 | 597718601 | STARTAPPARAT | | 1 |
| 6 | 506613001 | SCREW | | 1 |
| 7 | 596248901 | REP | | 1 |
| 8 | 596247701 | LINHJUL | | 1 |
| 9 | 596248601 | FJÄDER | | 1 |
| 10 | 596694601 | STARHANDTAG | | 1 |
| 11 | 577815401 | BULT | | 3 |
| 12 | 598589701 | DEKAL | | 1 |

525RXT Mark II
FUEL TANK



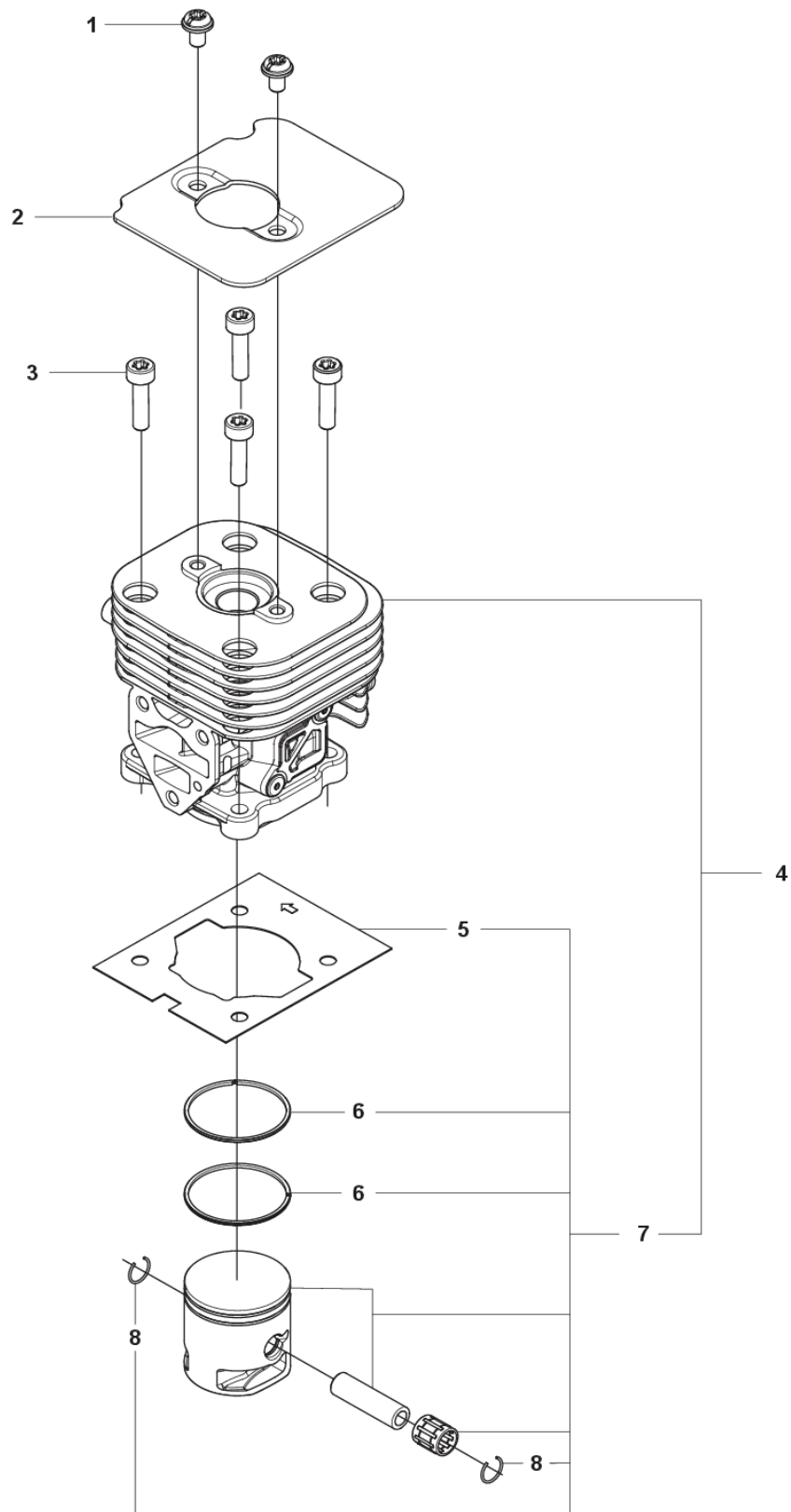
| REF. | ART. NR | ARTIKELBESKRIVNING | ANMÄRKNING | KIT |
|------|-----------|--------------------|------------|-----|
| 1 | 535275201 | FUEL TANK KIT | | 1 |
| 2 | 529497801 | GENOMFÖRING | | 2 |
| 3 | 506707001 | KLÄMMA | | 2 |
| 4 | 503443201 | BRÄNSLEFILTER | | 1 |
| 5 | 579645715 | TANKLOCK | | 1 |
| 6 | 597698501 | HASPLÅT | | 1 |
| 7 | 525755108 | SKRUV ITXSCFM | | 3 |
| 8 | 577050501 | RÖR | | 1 |
| 9 | 588850401 | LED | | 1 |
| 10 | 595526920 | BRÄNSLESLANG | | 1 |
| 11 | 587615601 | PINNSKRUV | | 3 |
| 12 | 597959911 | BRÄNSLESLANG | | 1 |

525RXT Mark II
IGNITION & CLUTCH



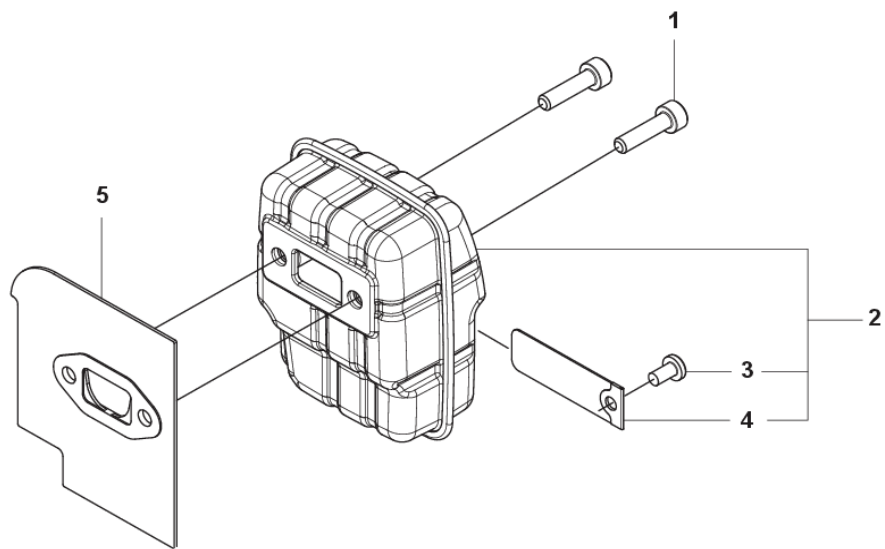
| REF. | ART. NR | ARTIKELBESKRIVNING | ANMÄRKNING | KIT |
|------|-----------|--------------------|------------|-----|
| 1 | 597717201 | TÄNDSPOLE | | 1 |
| 2 | 597717801 | RÖR | | 1 |
| 3 | 597717701 | TÄNDSTIFTSSKYDD | | 1 |
| 4 | 597717601 | FJÄDER | | 1 |
| 5 | 590710101 | TÄNDSTIFT | | 1 |
| 6 | 521515801 | BULT | | 2 |
| 7 | 588171401 | DISTANSBRICKA | | 2 |
| 8 | 531067601 | PLUGG | | 1 |
| 9 | 516124101 | LÅSRING | | 1 |
| 10 | 581142001 | KOPPLINGSTRUMMA | | 1 |
| 11 | 513189601 | SCREW | | 2 |
| 12 | 521758201 | BRICKA | | 2 |
| 13 | 585834701 | KOPPLING KPL | | 1 |
| 14 | 576400701 | KOPPLINGSFJÄDER | | 1 |
| 15 | 504118001 | MUTTER | | 1 |
| 16 | 578967801 | SVÄNGHJUL | | 1 |
| 17 | 505054401 | BRICKA | | 2 |

525RXT Mark II
CYLINDER PISTON



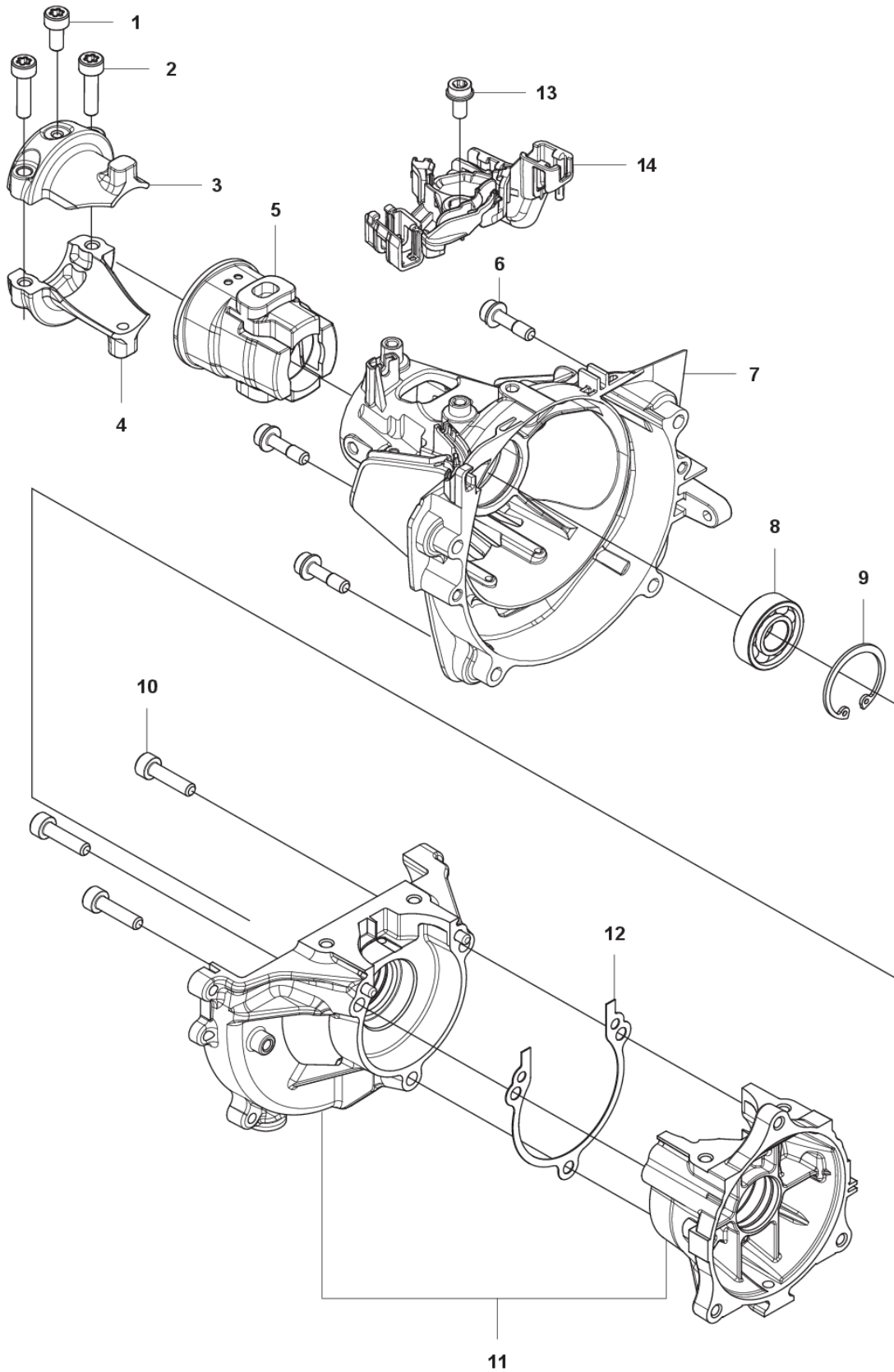
| REF. | ART. NR | ARTIKELBESKRIVNING | ANMÄRKNING | KIT |
|------|-----------|--------------------|-------------------|-----|
| 1 | 544256801 | SCREW | | 2 |
| 2 | 597716901 | PLATTA | | 1 |
| 3 | 504114301 | SCREW | | 4 |
| 4 | 588098202 | SERVICE KIT | Cylinder & Piston | 1 |
| 5 | 576398702 | PACKNING | | 1 |
| 6 | 506618101 | RING | | 2 |
| 7 | 588098102 | SERVICE KIT | Piston kit | 1 |
| 8 | 505045201 | RING | | 2 |

525RXT Mark II
MUFFLER



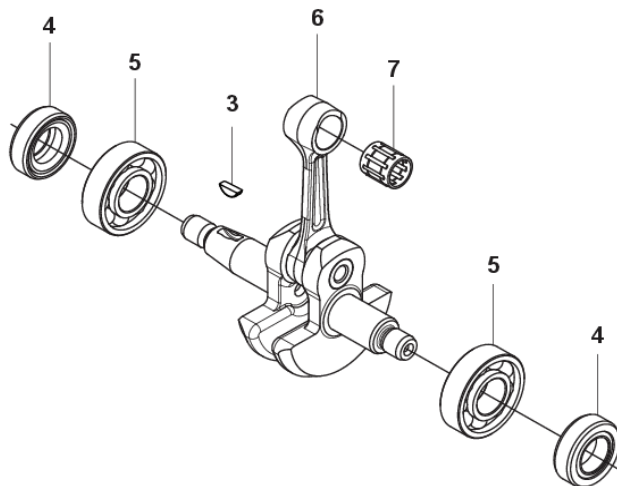
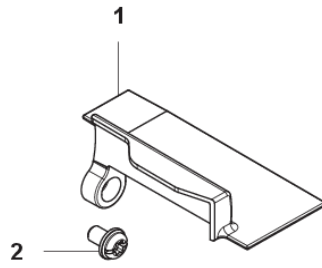
| REF. | ART. NR | ARTIKELBESKRIVNING | ANMÄRKNING | KIT |
|------|-----------|--------------------|------------|-----|
| 1 | 504114301 | SCREW | | 2 |
| 2 | 585248604 | LJUDDÄMPARE | | 1 |
| 3 | 729577405 | SKRUV CRPANT | | 1 |
| 4 | 580514401 | GNISTFÅNGARE | | 1 |
| 5 | 599362501 | PACKNING | | 1 |

525RXT Mark II
CRANK CASE



| REF. | ART. NR | ARTIKELBESKRIVNING | ANMÄRKNING | KIT |
|------|-----------|--------------------|------------|-----|
| 1 | 529268101 | BULT | | 1 |
| 2 | 577942001 | BULT | | 2 |
| 3 | 576420702 | FÄSTE | | 1 |
| 4 | 576420802 | FÄSTE | | 1 |
| 5 | 576420501 | CUSHION | | 1 |
| 6 | 577815401 | BULT | | 4 |
| 7 | 597718401 | HUS | | 1 |
| 8 | 525953201 | LAGER | | 1 |
| 9 | 506609901 | LÅSRING | | 1 |
| 10 | 504114301 | SCREW | | 3 |
| 11 | 581308602 | VEVHUS | | 1 |
| 12 | 576399502 | PACKNING | | 1 |
| 13 | 593805001 | SCREW | | 1 |
| 14 | 598727701 | HÅLLARE | | 1 |

525RXT Mark II
CRANK SHAFT



| REF. | ART. NR | ARTIKELBESKRIVNING | ANMÄRKNING | KIT |
|------|-----------|--------------------|------------|-----|
| 1 | 576404601 | LJUDDÄMPARE | | 1 |
| 2 | 544256801 | SCREW | | 1 |
| 3 | 506689401 | TANGENT | | 1 |
| 4 | 504121501 | TÄTNING | | 2 |
| 5 | 597648101 | LAGER | | 2 |
| 6 | 586656602 | VEVAXEL | | 1 |
| 7 | 576402701 | LAGER | | 1 |